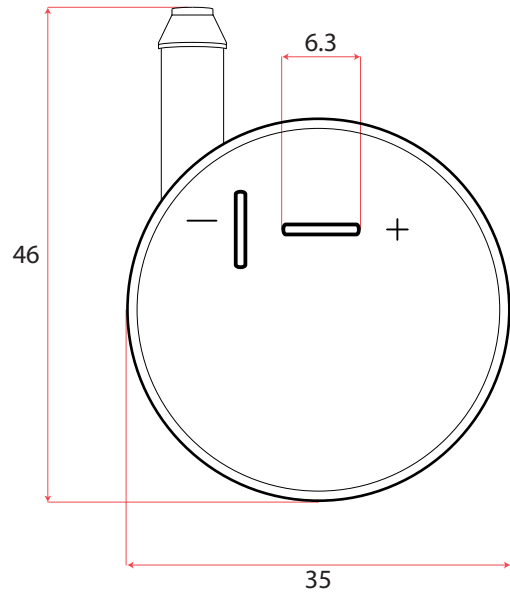
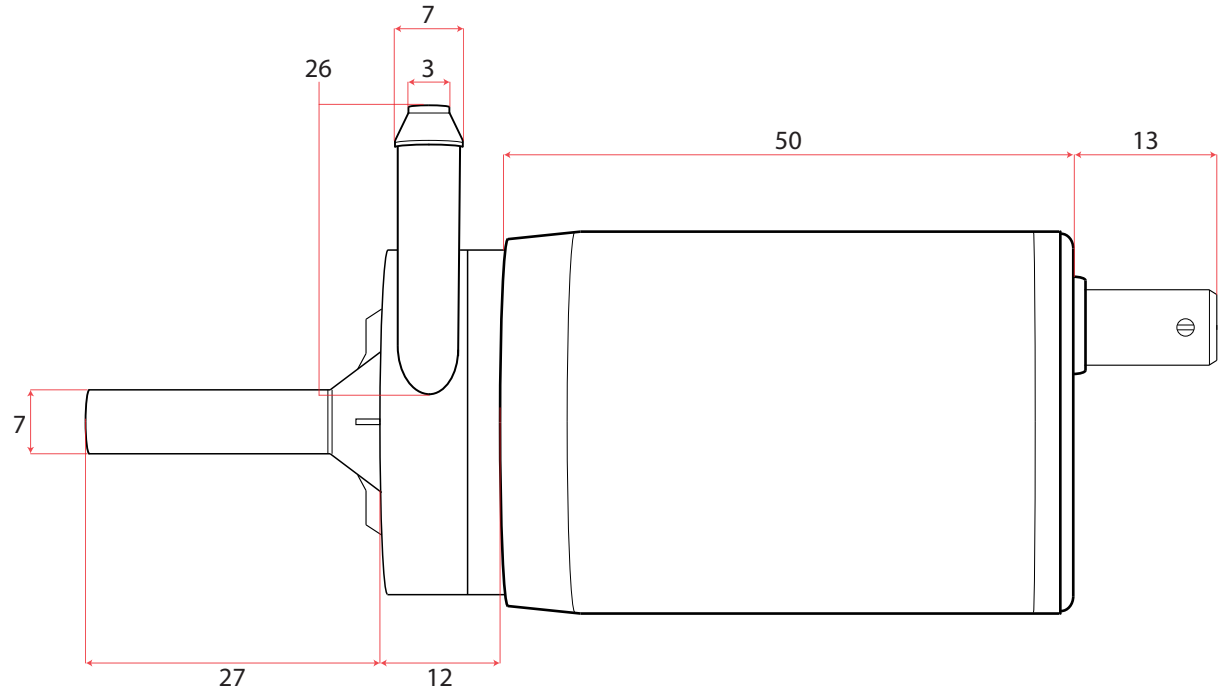


FRONT VIEW



SIDE VIEW



+ / - 5% All Dimensions In MM

Part Number	S 010 001
Voltage	12V
No Load Current	≤1 A
Operating Current	5 A
Max Operating Time	5 Seconds ON, 25 Seconds OFF
Minimum Discharge Pressure (kPa)	100
Minimum Discharge Pressure (BAR)	1.8
Flow Rate (With Jet)	300

Optimal Environment	-30°C~+85°C
Pump Weight (Grams)	82 Grams