

**16V
4151**

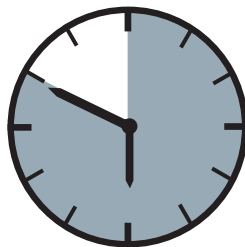
**Mercedes Sprinter, Md. 2006 / 2013 ->
(Radstand 3665 mm) L2**

Tube de protection latérale 60 mm
Flankenschutzrohr 60 mm
Side protection pipe 60 mm



ASSEMBLY INSTRUCTION

Montageanleitung • Instructions de montage

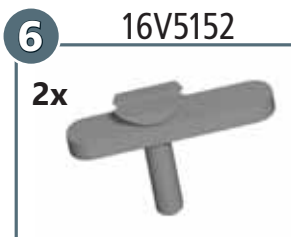
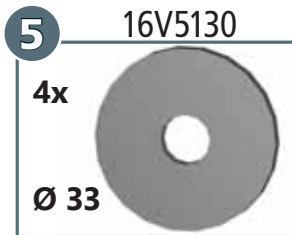
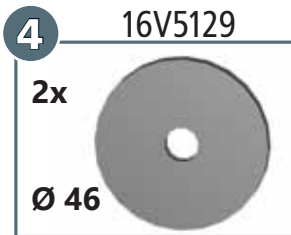
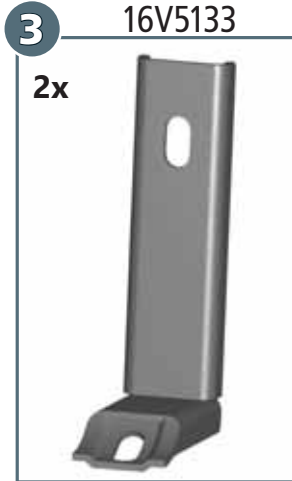
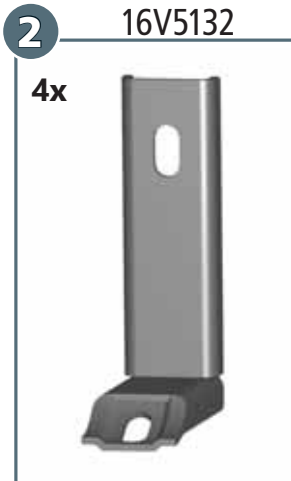
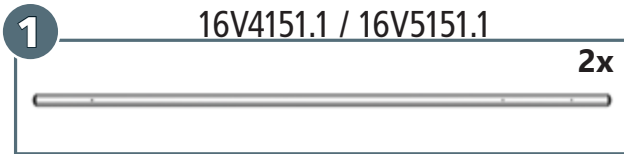
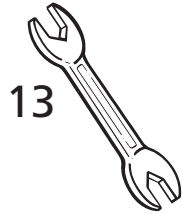


50 Minuten

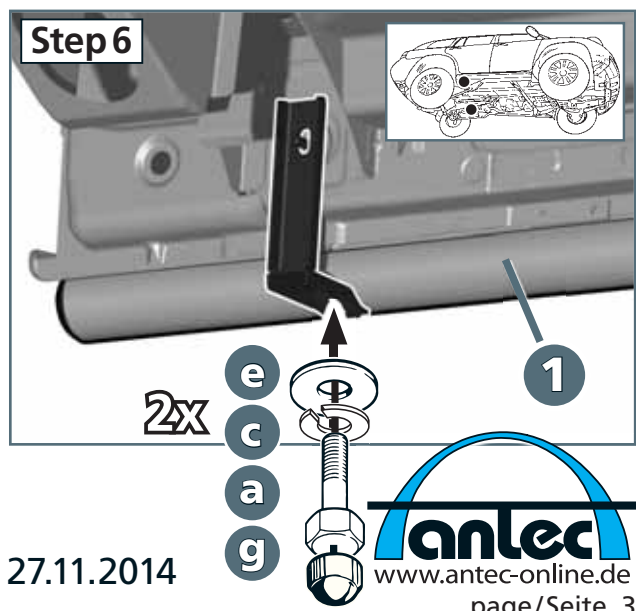
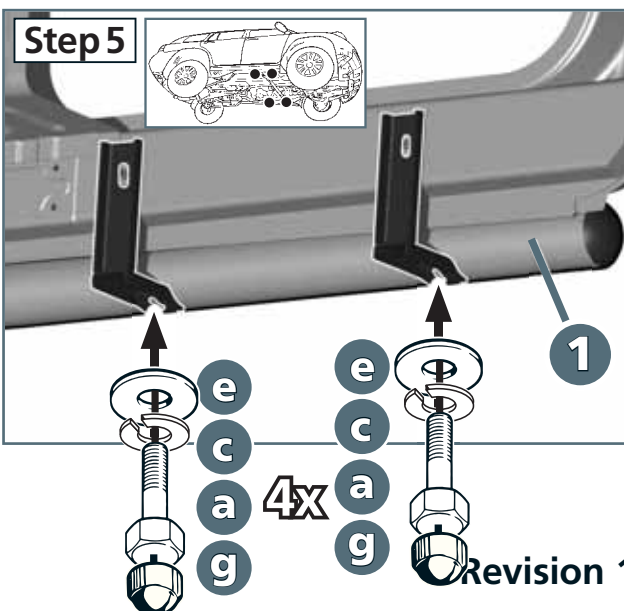
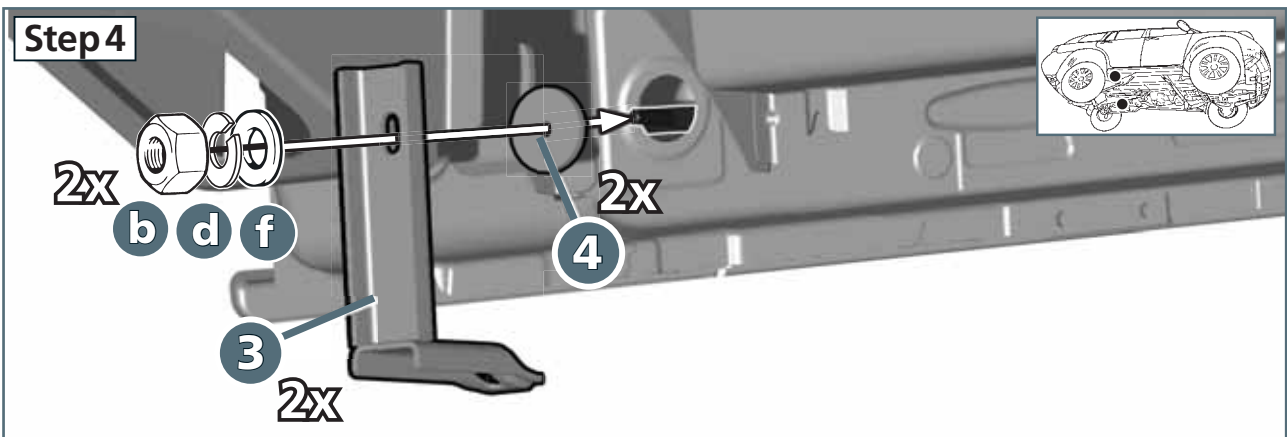
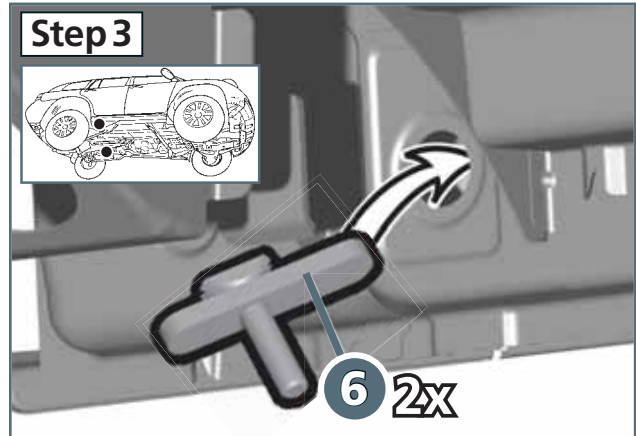
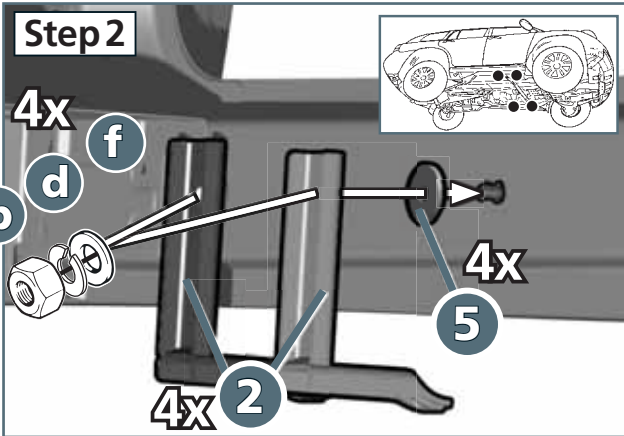
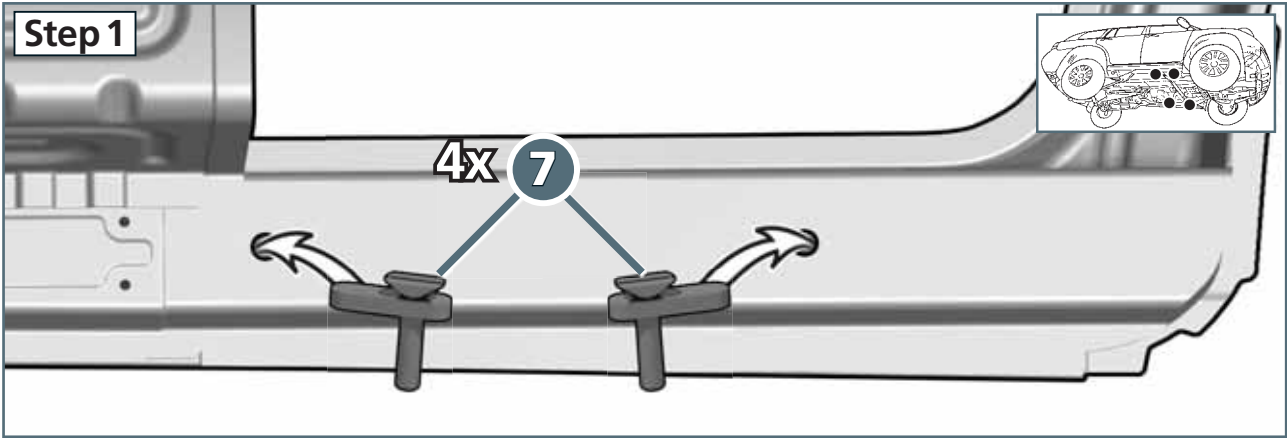
Artikel-Nr:
16V4151 stainless steel
16V5151 black steel

Revision 1: 27.11.2014


www.antec-online.de



a		M8 x 25; DIN 933 A2	6x
b		M8; DIN 934 Zn	6x
c		Ø 8; DIN 127 A2	6x
d		Ø 8; DIN 127 Zn	6x
e		Ø 8,4; DIN 9021 A2	6x
f		Ø 8,4; DIN 9021 Zn	6x
g		SW13	6x



Step 7

M8:
25 Nm
M8_(A2):
21,4 Nm

