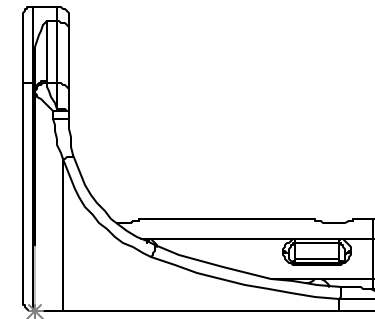
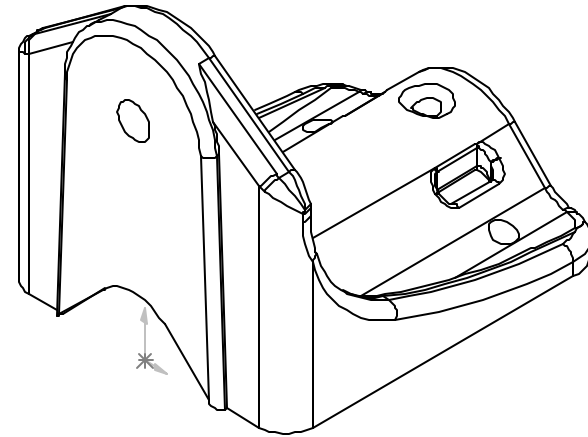
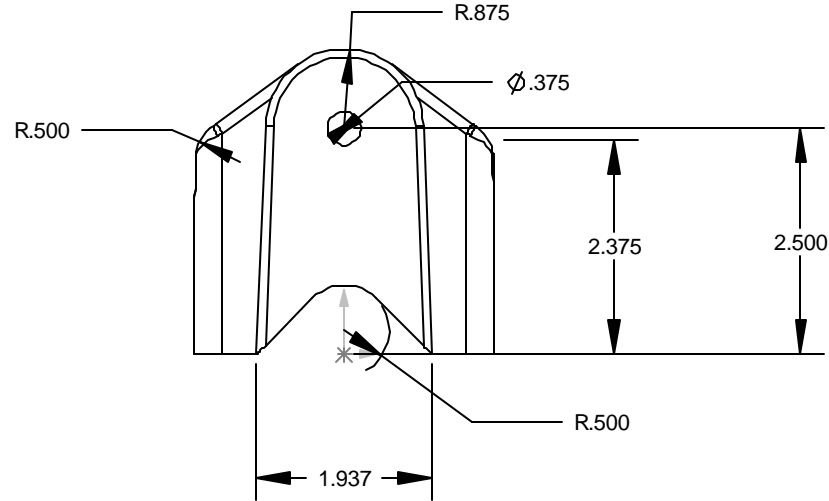
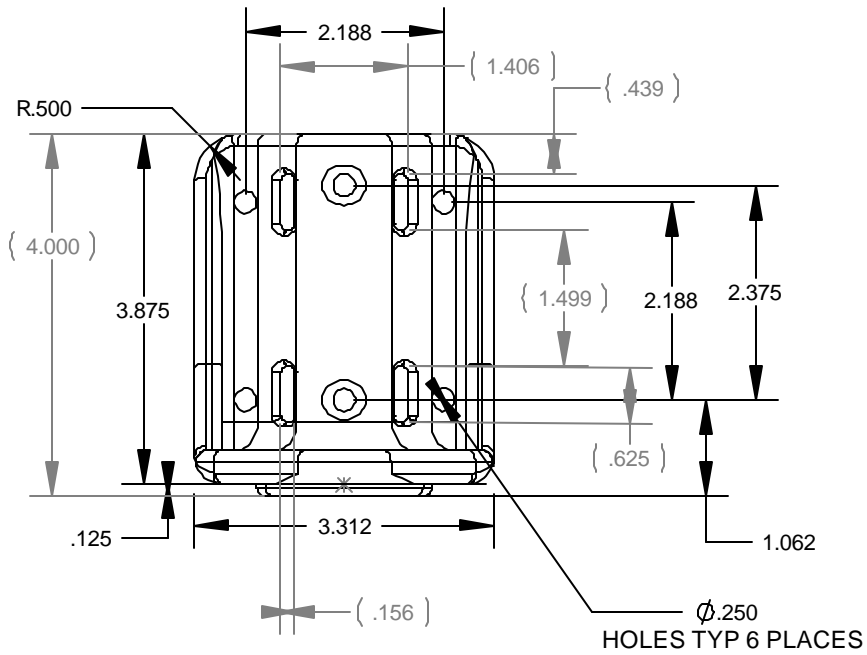


THE INFORMATION CONTAINED IN THIS DRAWING IS THE SOLE PROPERTY OF NATIONAL PRODUCTS INC. ANY REPRODUCTION IN PART OR WHOLE WITHOUT THE WRITTEN PERMISSION OF NATIONAL PRODUCTS INC. IS PROHIBITED.



UNLESS OTHERWISE SPECIFIED DIMENSIONS ARE IN INCHES TOLERANCES ARE:		CAD GENERATED DRAWING. DO NOT MANUALLY UPDATE		NATIONAL PRODUCTS INC. 1017 S. ELMGROVE ST. SEATTLE, WA 98108	
FRACTIONS	DECIMALS	ANGLES	APPROVALS	DATE	<b>RAM VERTICAL BASE FOR RAM-109 SWING ARM SYSTEM</b>
+ - 1/32	.XX+ -.06	+ - 1 DEG.	DRAWN	JDC 01/19/01	
.XXX+ -.030	.XXXX+ -.002		CHECKED	CMR 04/20/01	
MATERIAL		ALUMINUM	RESP ENG		
FINISH		BLACK POWDER COAT	MFG ENG		SIZE A
DO NOT SCALE DRAWING		QUAL ENG			DWG. NO. RAM-109V-B
					REV.
				SCALE	CAD FILE: RAM109VB
					SHEET 1 OF 1