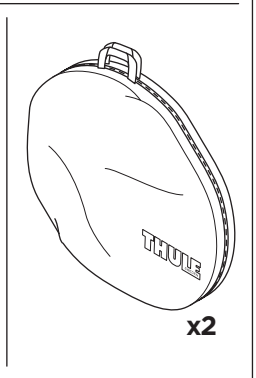
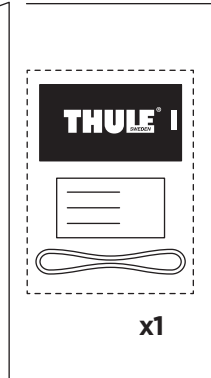
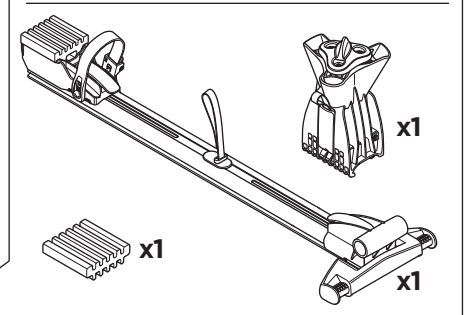
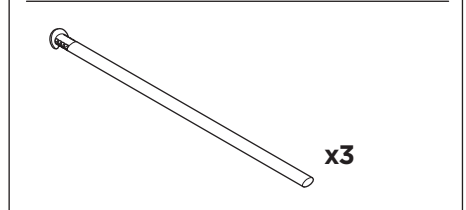
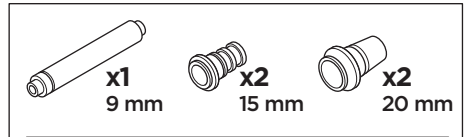
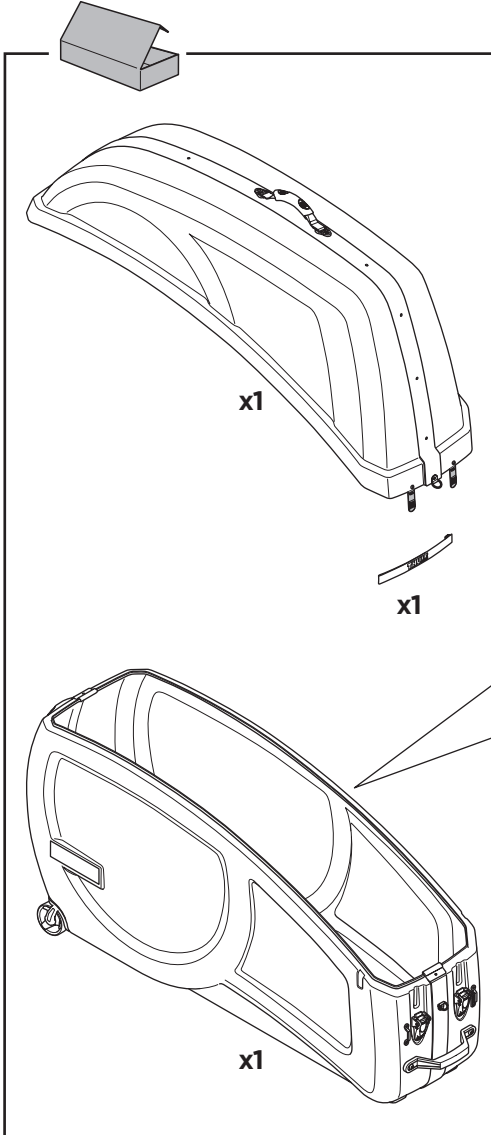
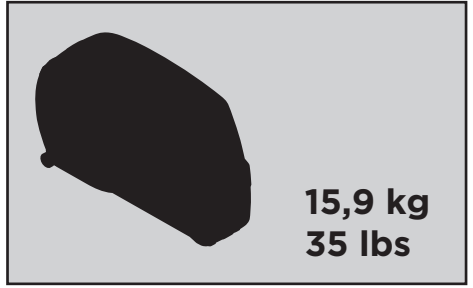
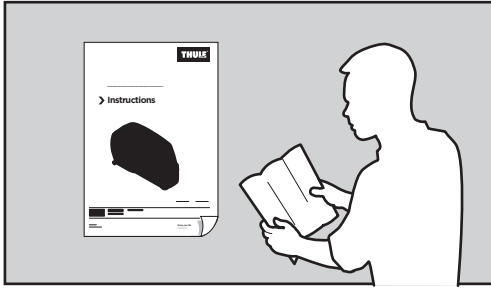


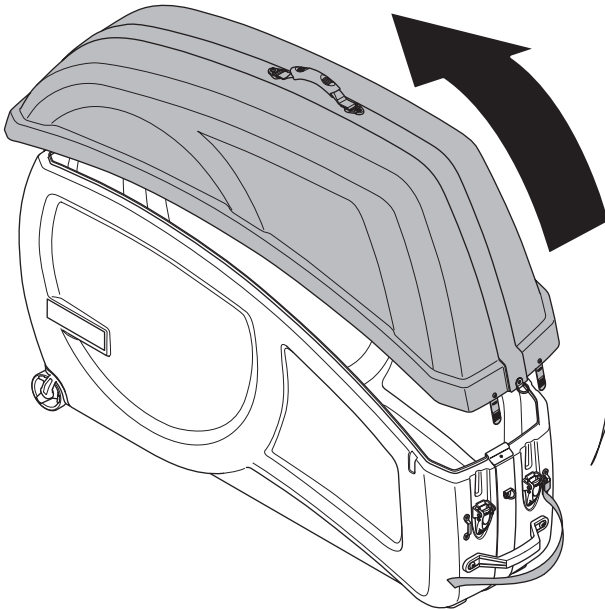
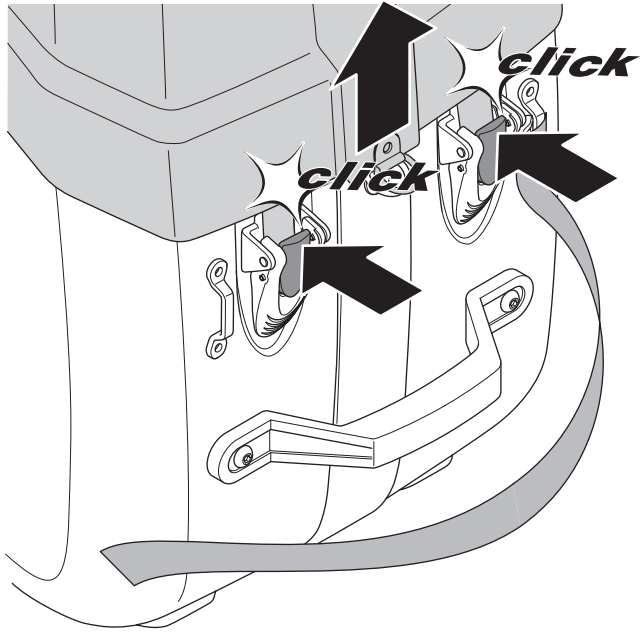
Thule RoundTrip Transition

➤ Instructions

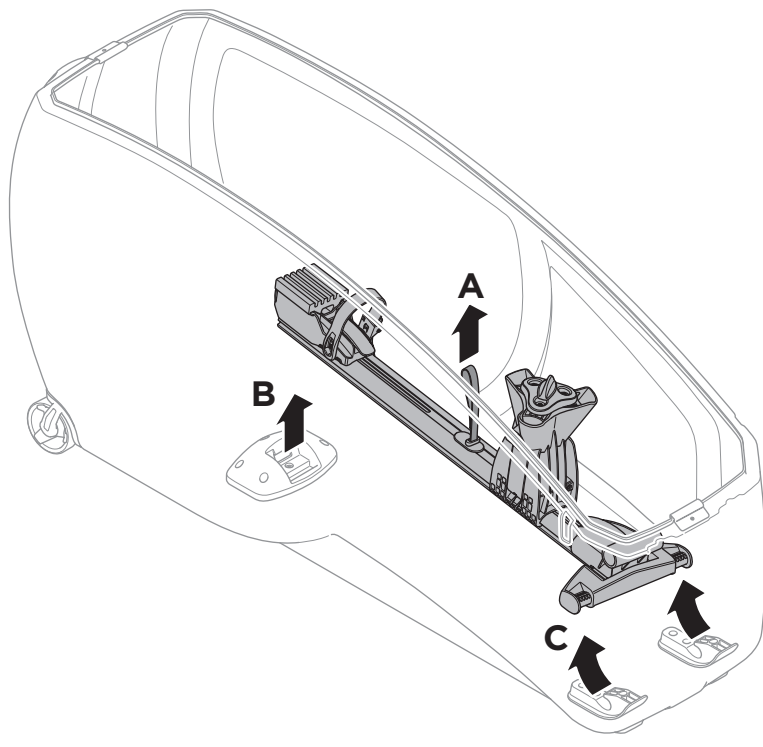




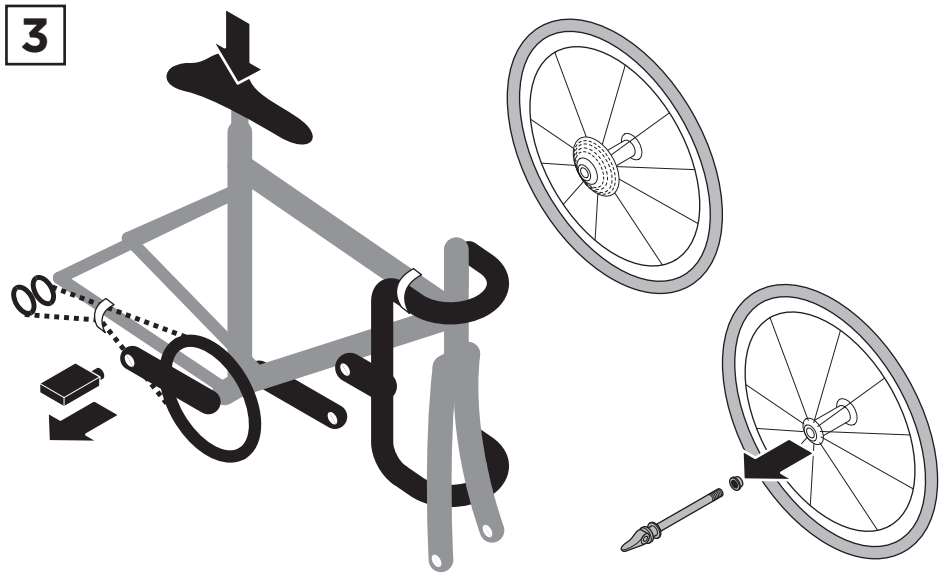
1



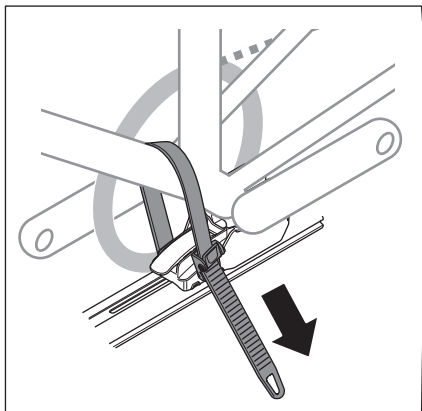
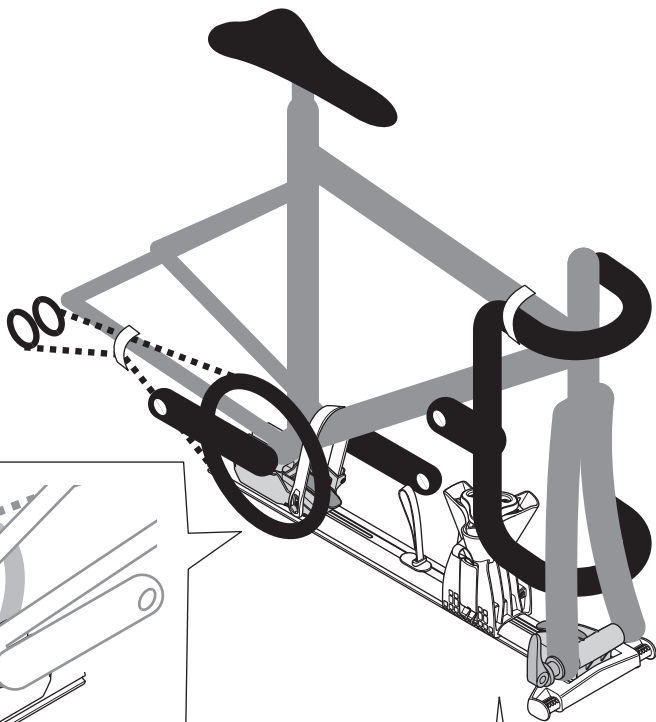
2



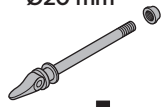
3



5



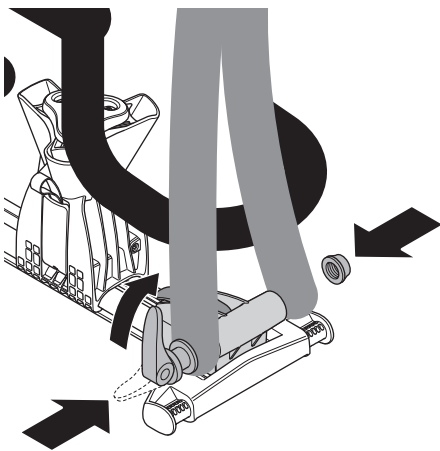
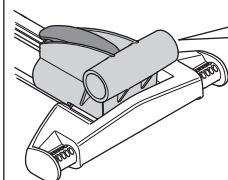
- Ø9 mm
- Ø15 mm
- Ø20 mm



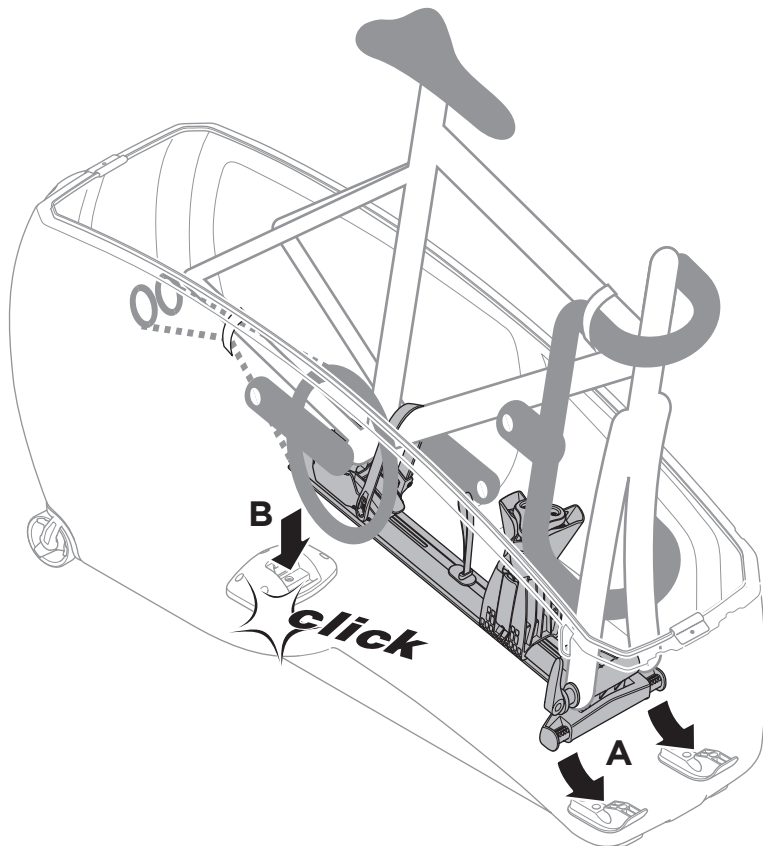
x1
9 mm

x2
15 mm

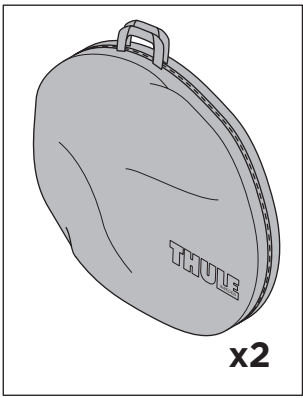
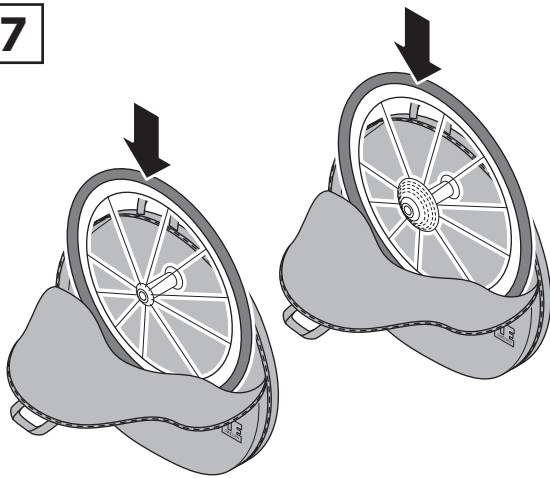
x2
20 mm



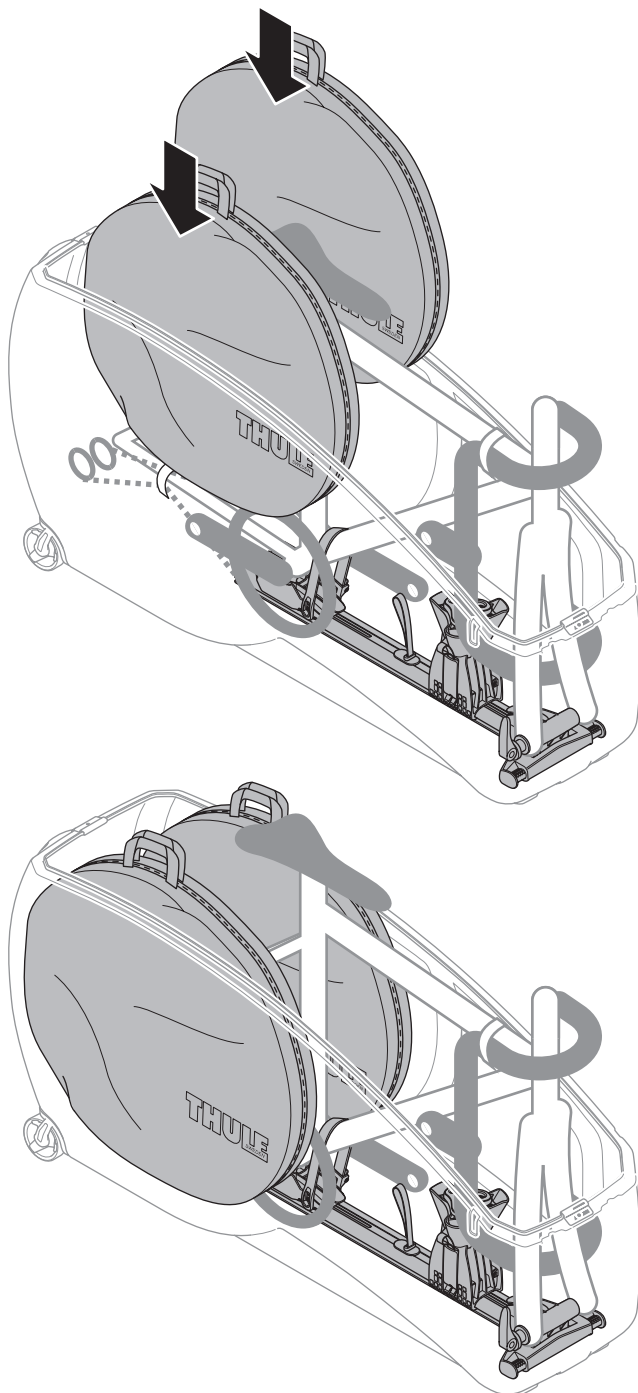
6



7

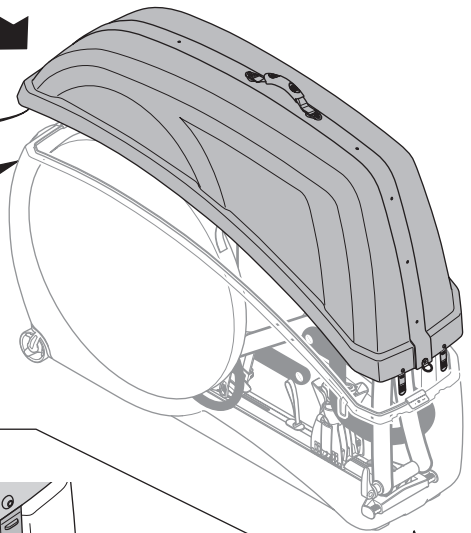
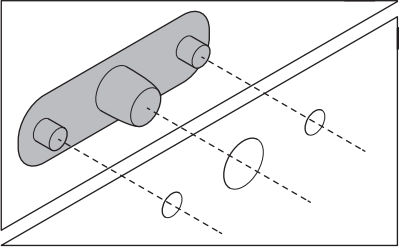


8

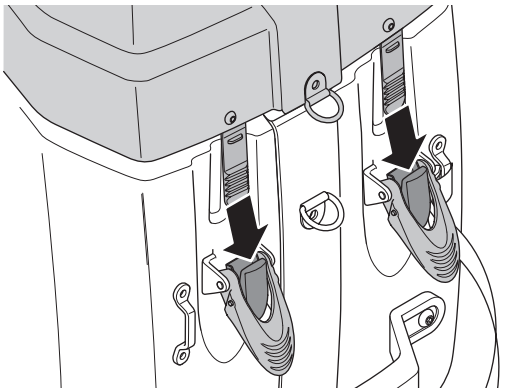


9

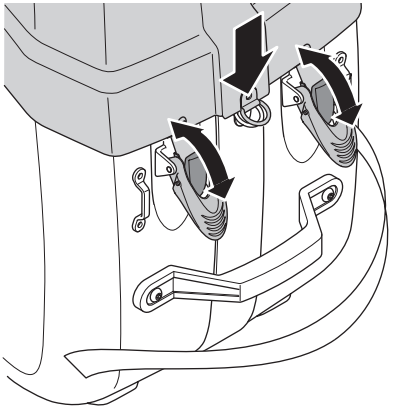
A



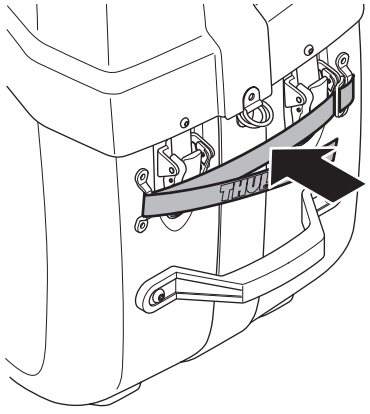
B



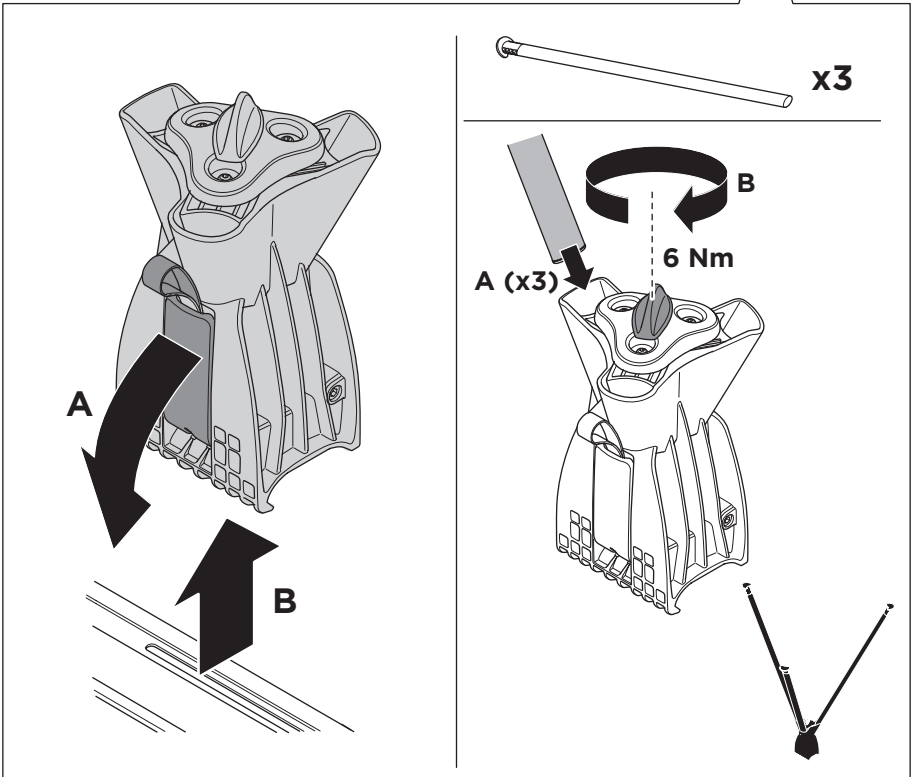
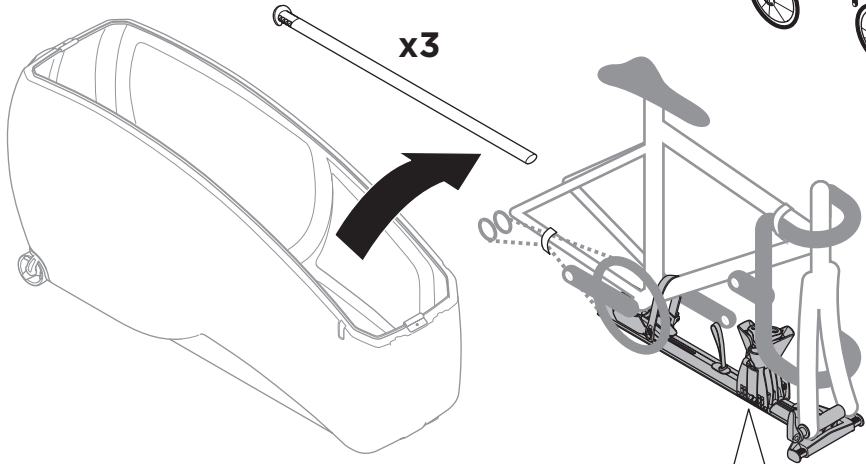
C



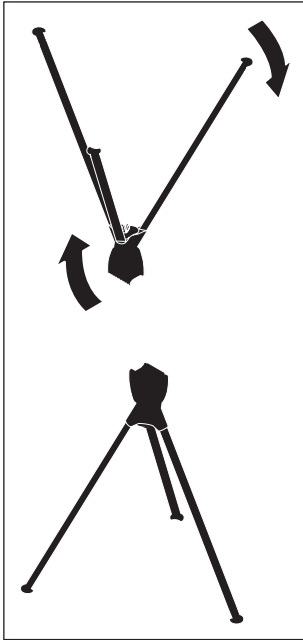
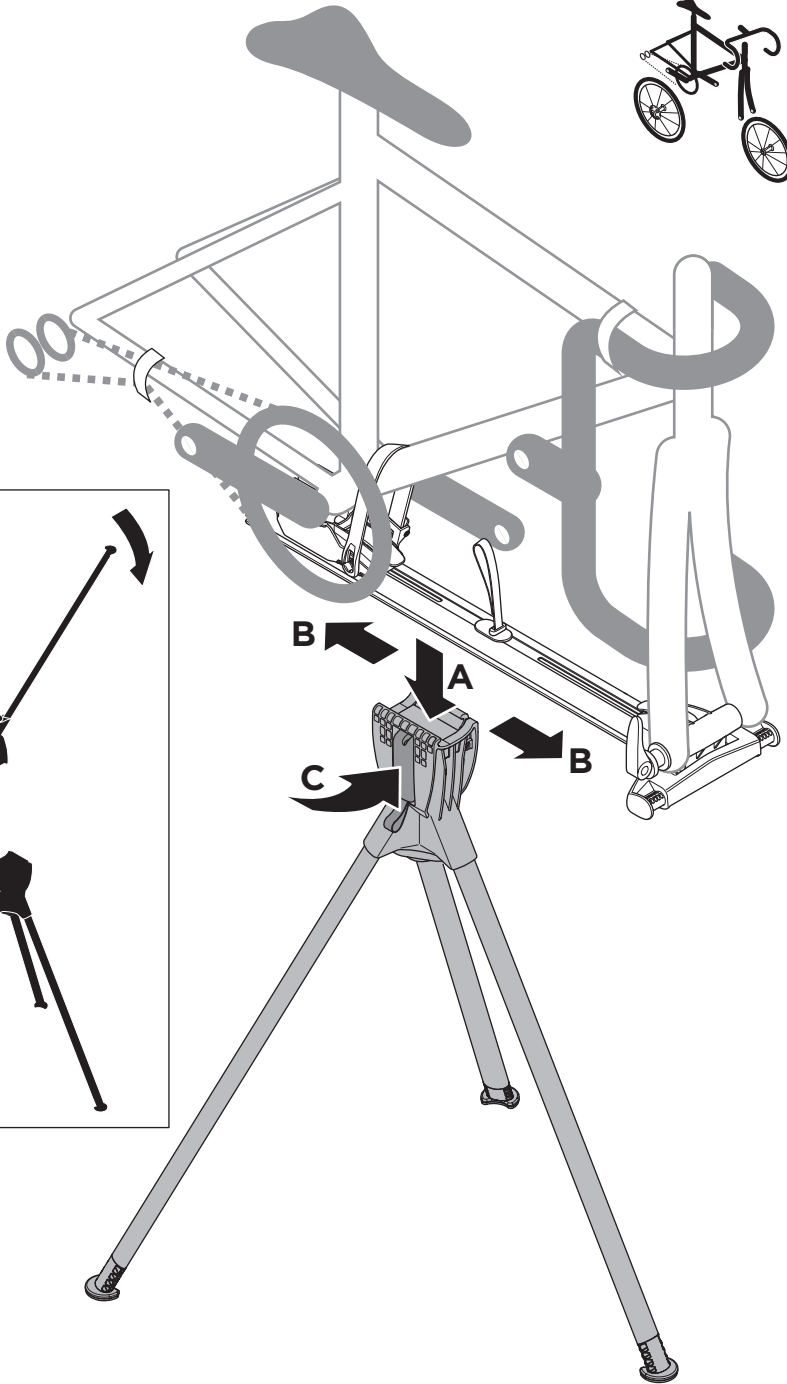
D



i



i



i

