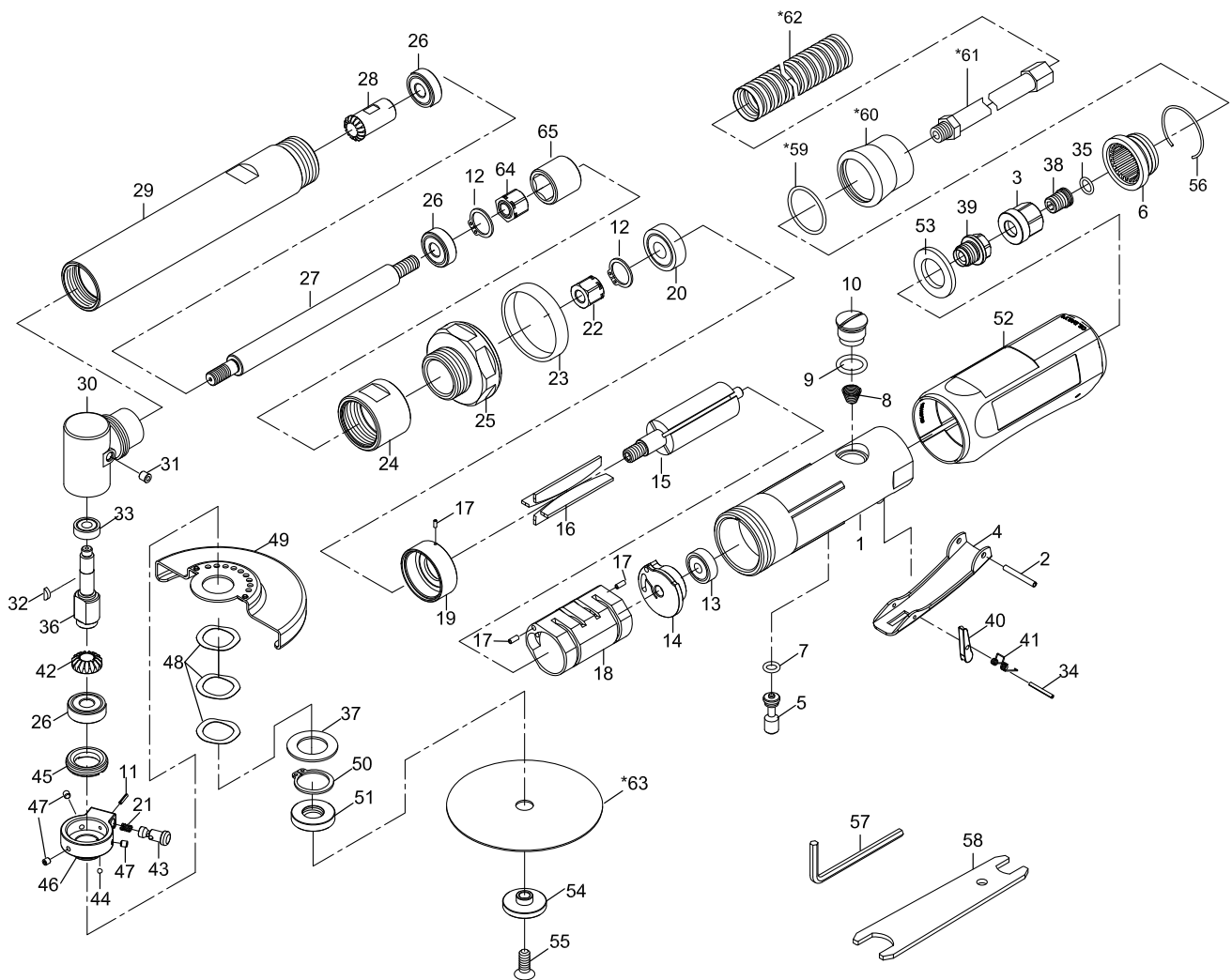


Corner grinder

K 9818



KR 9818-1 Engine repair kit: Pos 7, 8, 9, 16, 35

KR 9818-2 Gearing repair kit: Pos 26, 33, 50

KR 9812-3 Throttle set: Pos 2, 4, 34, 40, 41

KR 9813-4 Air inlet kit: Pos 3, 6, 35, 38, 39, 56

KR 9818-49 Disc cover: Pos 49, 54, 55

Pos.	Parts No.	Description
1		Motor housing
2	KR 9812-3	Spring pin
3	KR 9813-4	Air inlet
4	KR 9812-3	Throttle lever
5		Valve shaft
6	KR 9813-4	Exhaust diffuser
7	KR 9818-1	O-ring
8	KR 9818-1	Valve spring
9	KR 9818-1	O-ring
10		Plug
11		Spring pin
12		Rotor bushing
13		Ball bearing
14		Rear end plate
15		Rotor
16	KR 9818-1	Rotor blade (4 pcs.)
17		Spring pin (3 pcs.)
18		Cylinder
19		Front end plate
20		Ball bearing
21		Spring
22		Connector shaft
23		Decoration ring
24		Connector nut
25		Clamp nut
26	KR 9818-2	Ball bearing (3 pcs.)
27		Roller shaft
28		Bevel gear
29		Connector pipe

Pos.	Parts No.	Description
30		Head
31		Oil cap
32		Key
33	KR 9818-2	Ball bearing
34	KR 9812-3	Spring pin
35	KR 9818-1, KR 9813-4	O-ring
36		Spindle
37		Washer
38	KR 9813-4	Screw
39	KR 9813-4	Fixed shaft
40	KR 9812-3	Safety bar
41	KR 9812-3	Spring
42		Bevel gear
43		Stop button
44		Steel ball
45		Clamp nut
46		Cover seat
47		Set screw (3 pcs.)
48		Wave washer (3 pcs.)
49	KR 9818-49	Disc cover
50	KR 9818-2	Retainer ring
51		Flange
52		Rubber grip
53		Muffler
54	KR 9818-49	Flange nut
55	KR 9818-49	Screw
56	KR 9813-4	Retainer ring
57		Hex key wrench
58		Spanner