

POWERSUPPLIES

Remote panel with ON/OFF function



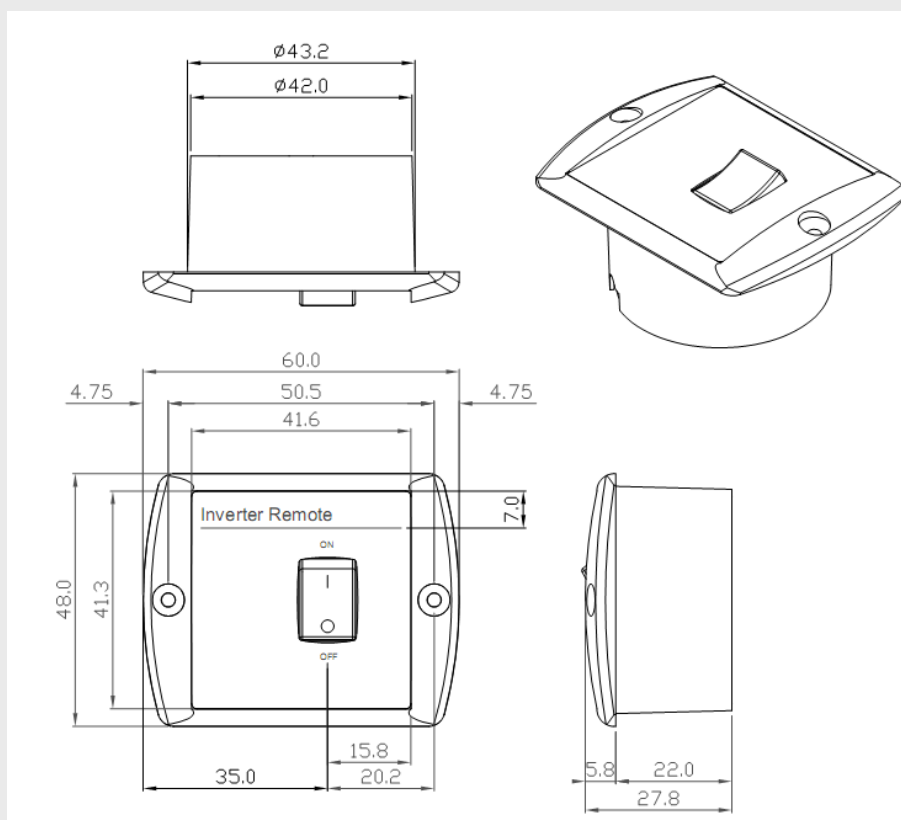
- Fit inverter 300Watt and 600Watt
- Simple connection to the inverter with RJ11plug
- Mount in a $\varnothing 44-45\text{mm}$ hole
- 6m white cable

The remote is connected to the RJ11 connector on the inverter. When the inverter's switch is set to the position marked "REMOTE", the inverter can be switched on and off via the remote panel's switch.

NOTE!

If the inverter's switch is instead in position 0 or I, the inverter cannot be operated via the remote panel's switch.

Mechanical drawing::



Beställningsinformation:

Typ	Funktion
REMOTE 1	ON/OFF funktion