

SVTIP-712C5

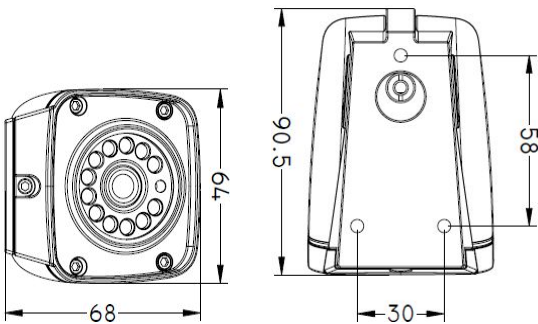
HD Network Camera



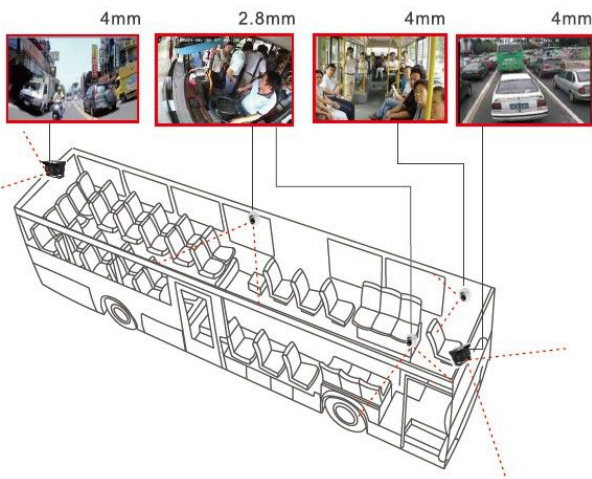
Features

- ❖ 1280x720@30fps Resolution
- ❖ Built-in power loss protection
- ❖ Perfect solutions for vehicles
- ❖ Day/Night(ICR), Super Wide Dynamic Range, Auto Wide Light Compensation
- ❖ IP67water proof and dust proof
- ❖ Three streams technology, phone monitoring
- ❖ PON(DC 12V)
- ❖ Anti-vibration,

Dimension (Unit: mm)



Solution Reference



Specification

Series	IP-712C5	
Camera Parameters	Sensor	1/3" CMOS SONY IMX238
	Resolution	1280(H)x720(V)
	Signal System	50/60 Hz
	Minimum Illumination	0.05Lux(Color Illumination), F1.2
	Electronic Shutter	1/25 Second -1/10000 Second
	Day/Night	IR-CUT
	Wide Dynamic Range	Digital Wide Dynamic Range
	Black-light Compensation	Support
	S/N	≥40db
	Wide Dynamic Range	≥80db
Optical Lens	Port	6-pin DJ M12(PON)
	Aperture	Fixed aperture F1.8
	Lens	2.8mm, 4mm, 6mm, 8mm Optional
Audio/Video Encode	Video Compression	H.264
	Compression Output Rate	768Kbps-6144Kbps
	Image Resolution	Main Stream:720p @ 30fps, Network Sub Stream:VGA @ 25FPS Record Sub Stream:VGA @ 30FPS
	CBR/VBR	Support
Image	Maximum Image	1280x720
	Frame	30FPS
	Image Setting	Chroma, contrast, saturation and sharpness
	Network Protocol	HTTP, TCP, ARP, RTSP, UDP, RTCP, SMTP, DHCP, DNS, DDNS, PPPoE, IPV4, UPnP, NTP
	ONVIF	Support
	Client Terminal Preview	Built-in WEB server; Support IE browser
	Storage	Client Terminal/ MDVR
	Others	Temperature
Humidity		0% - 90%
Power Supply		PON(DC12V)
Waterproof Class		IP67
Power		<2w (Day) <4w (Night)
Dimension (mm)		90.5 (L)x68 (W)x64 (H)