

SN SERIES

SEALED FUSE BLOCK MEGA OR MIDI

High Amperage Circuit Protection for Harsh Environments

Provides In-line Main or Branch
Circuit Protection in Harsh or
Hazardous Environments

- Waterproof/sealed fuse compartment provides protection from fuse corrosion in harsh environments
- Drop-in replacement for existing non-sealed competitive solutions
- Ignition protected to SAE J1171 and ISO 8846 for installation in a battery box or on vehicles carrying hazardous loads
- All stainless steel hardware and tin-plated 100% pure copper optimize long-term corrosion protection
- Allows dielectric spray on cable terminals without compromising fuse connections
- Cover retention ensured through integrated tether and positive secondary latches
- Optionally available with fuses pre-installed to OEM torque specifications



PN 880014

Provides All Vehicle Protection and High Amperage Cable Protection for 100A-500A Circuits (MEGA®/AMG®)



PN 880015

Protection for 30A-200A Circuits (MIDI®/AMI®)
Plus Storage Space for a Spare Fuse in Cover

CONSTRUCTION



MILITARY



TRANSIT



HEAVY DUTY TRUCK



AGRICULTURE



WORK TRUCK

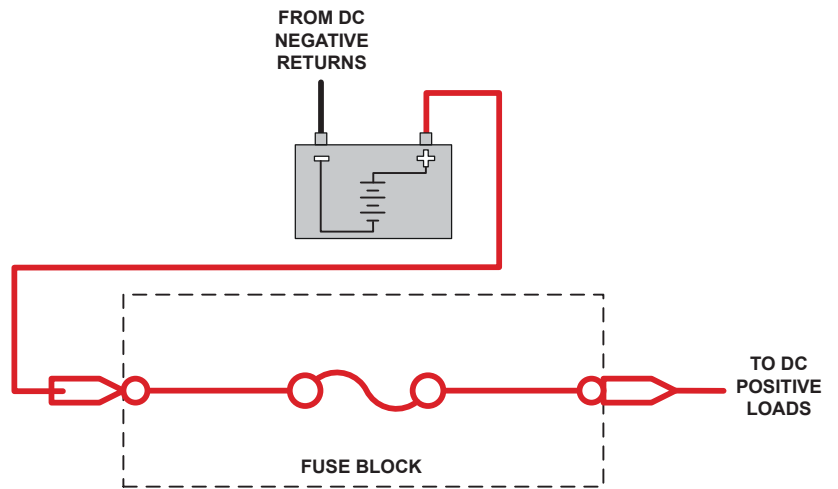


SN Series Sealed Fuse Block Mega or Midi

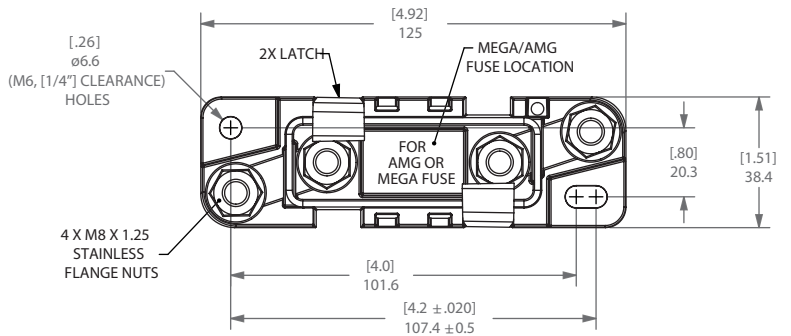
Specifications

Fuse Type (Fuses sold separately)	
880014	MEGA® or AMG®
880015	MIDI® or AMI®
Maximum Amperage	
880014	500A
880015	200A
Maximum Voltage	60V DC
Recommended Stud Torque	15 lb-ft (20 N-m)
Screw Torque (880015)	27 lb-in (3.0 N-m)
Temperature Range	-50°C to 125°C
Humidity	0-95% RH
Shock	50 G's
Vibration	8 G's
Ingress Rating	IP66/IP6K9K
Ignition Protection	Meets ISO 8846 & SAE J1171

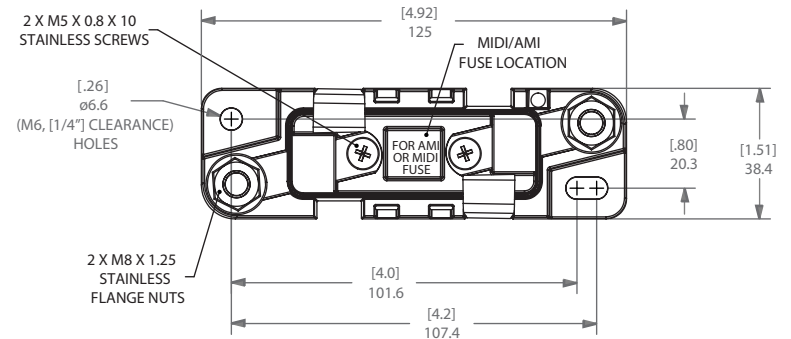
CONFIGURATIONS



PN 880014



PN 880015



FUSE BLOCKS



POWER DISTRIBUTION



BATTERY SWITCHES



COMBINERS/DISCONNECTS



REMOTE RELAYS



FEEDTHROUGHS



Expertise Applied | Answers Delivered

Maahantuoja:



Oy Kaha Ab
Ansatie 2
01740 Vantaa

www.kaha.fi
teollisuus@kaha.fi
puh 09 615 6800

Myynti
puh 09 615 68300
fax 09 615 68301