

Zirkona Backwall

N.B.!



Always apply thread lockers on 20 mm threads. Use Loctite or equivalent.

Zirkona Backwall

Mount the wall brackets (A) to the Backwall bracket according to the picture.

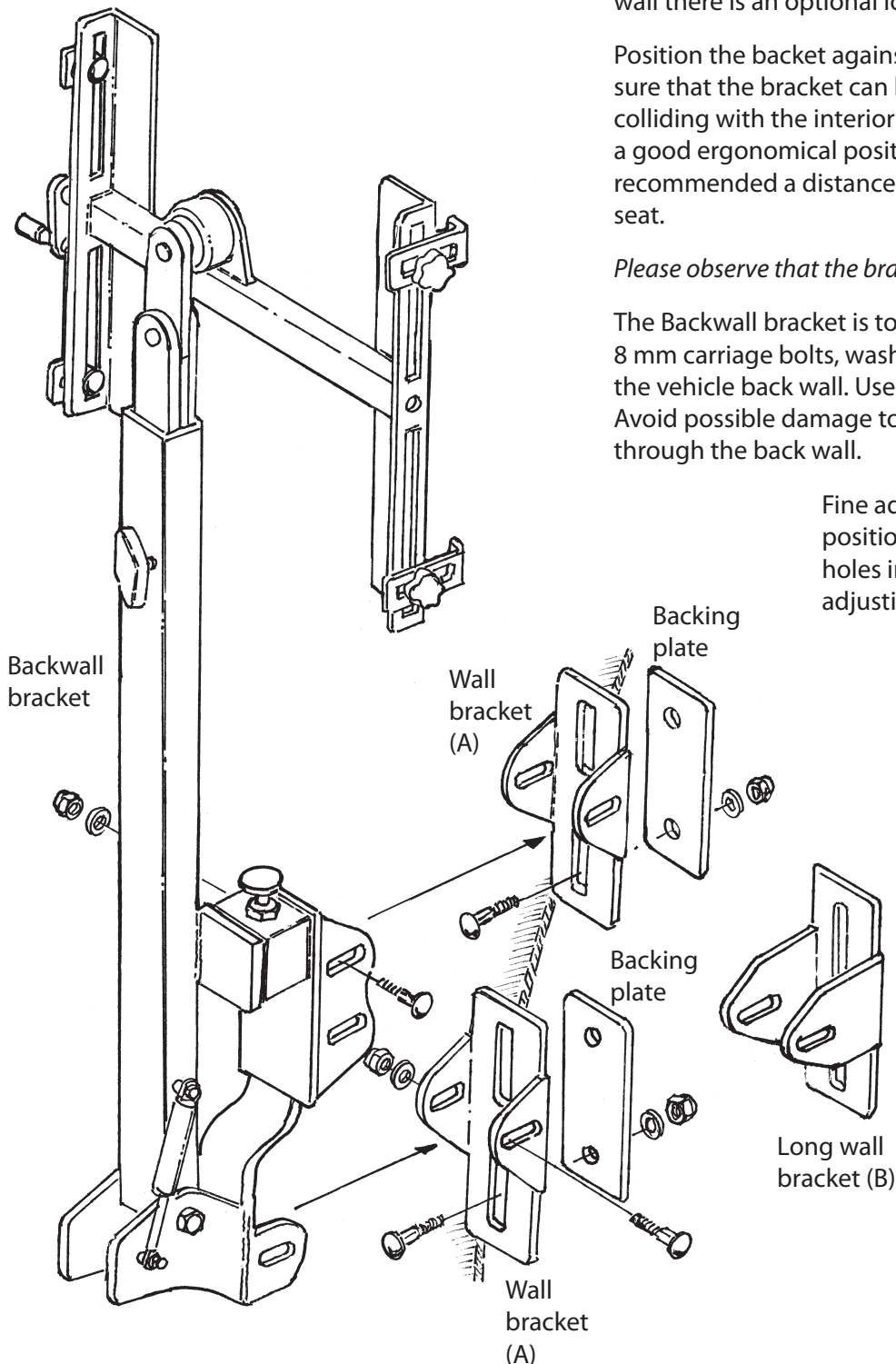
Use included carriage bolts, washers and locking nuts. Please observe that the nuts must be placed inside the bracket, see picture. The upper bracket can be placed in two positions. For vehicles with a steeply leaning back wall there is an optional longer wall bracket (B) included.

Position the basket against the vehicle back wall. Make sure that the bracket can be folded up and down without colliding with the interior and that the computer is at a good ergonomical position when folded down. We recommended a distance of 18 cm from the center of the seat.

Please observe that the bracket must be mounted vertically.

The Backwall bracket is to be mounted with the attached 8 mm carriage bolts, washers and locking nuts through the vehicle back wall. Use attached backing plates. Avoid possible damage to wires, pipes, etc. when drilling through the back wall.

Fine adjustment of the computer position can be made through the oval holes in the wall bracket as well as by adjusting the set screw.



zirkona
www.zirkona.com