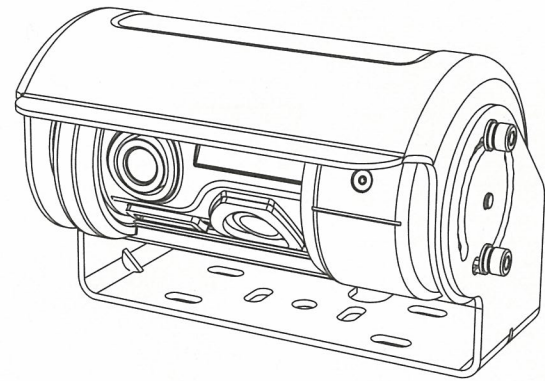


# MXN94C

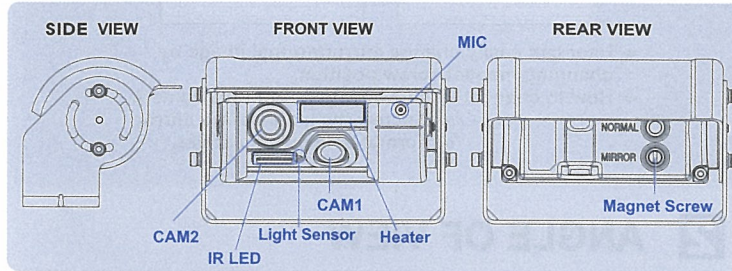
## Owner's Manual



- 1 FEATURES
- 2 ANGLE OF VIEW
- 3 HOW TO REPLACE WIPER RUBBER
- 4 COMPOSITION
- 5 INSTALLATION
- 6 SPECIFICATIONS

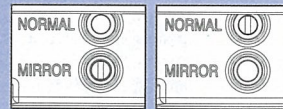
### 1 FEATURES

- Motorized Shutter Twin View Camera
- 1/3" Super HAD II CCD
- Automatic electronic iris
- Ultra low light performance
- Extra-wide field of view
- Input voltage DC 12V from monitor
- Automatic cleaning function
- Automatic shutter / heating function
- Normal / Mirror image switching
- Vandal resistance
- Water-proof (I.P68)



#### Magnet Screw

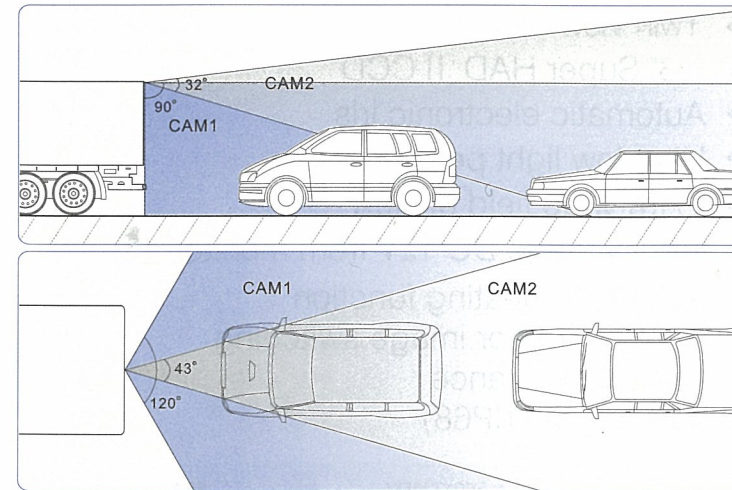
- User can easily change mirror/normal image by changing magnet screw position.
- How to change: Unscrew magnet from the camera and screw the magnet into mirror or normal hole using a driver.



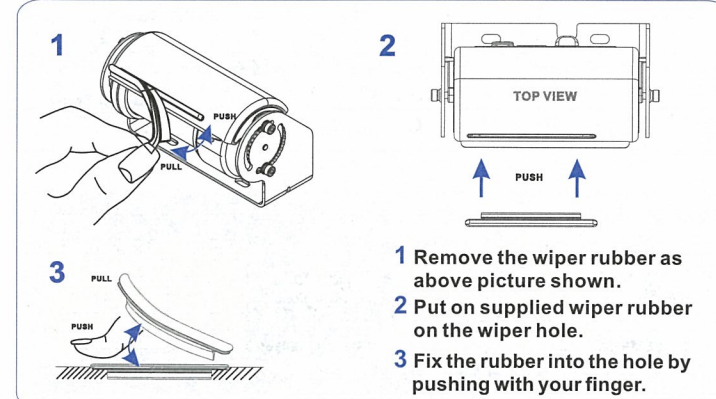
#### Camera connector pin description.

Pin No.	Description	Pin No.	Description
1	Shutter/Heating	1	Shutter/Heating
2	Audio	2	Audio
3	Video 1	3	Video 1,2
4	Ground	4	Power
5	Video 2	5	Ground
6	Power		

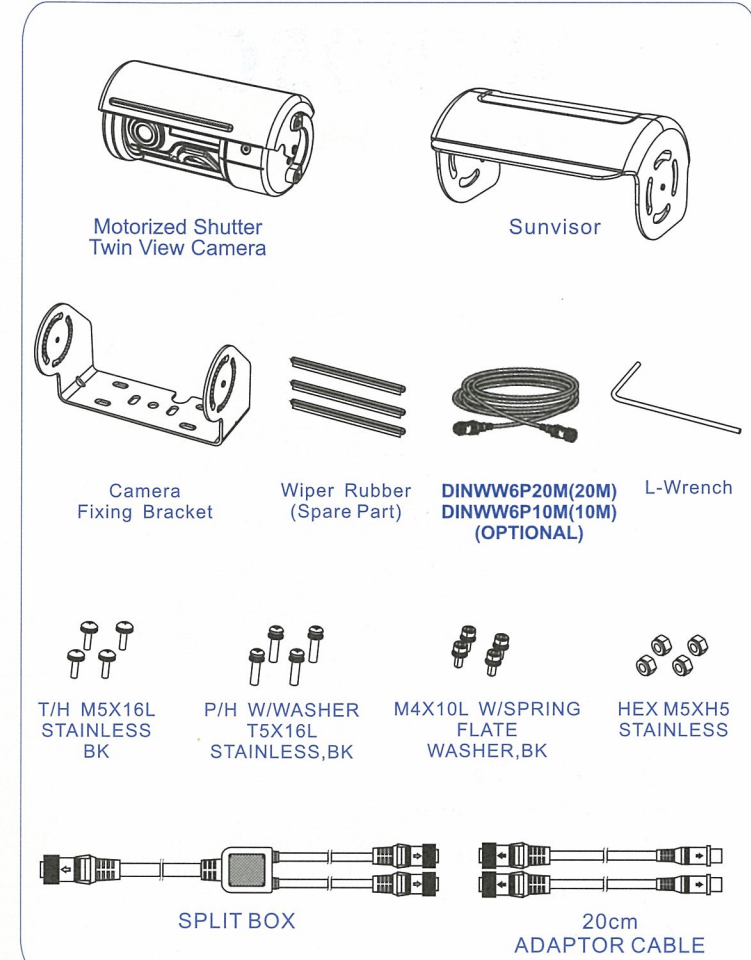
### 2 ANGLE OF VIEW



### 3 HOW TO REPLACE WIPER RUBBER

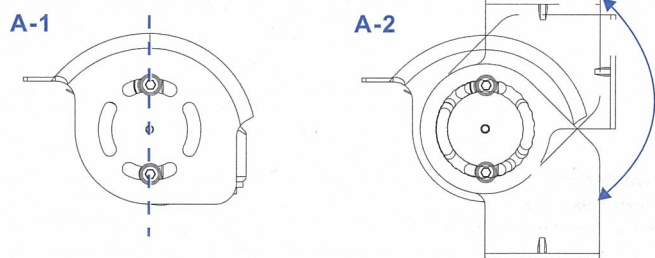


### 4 COMPOSITION

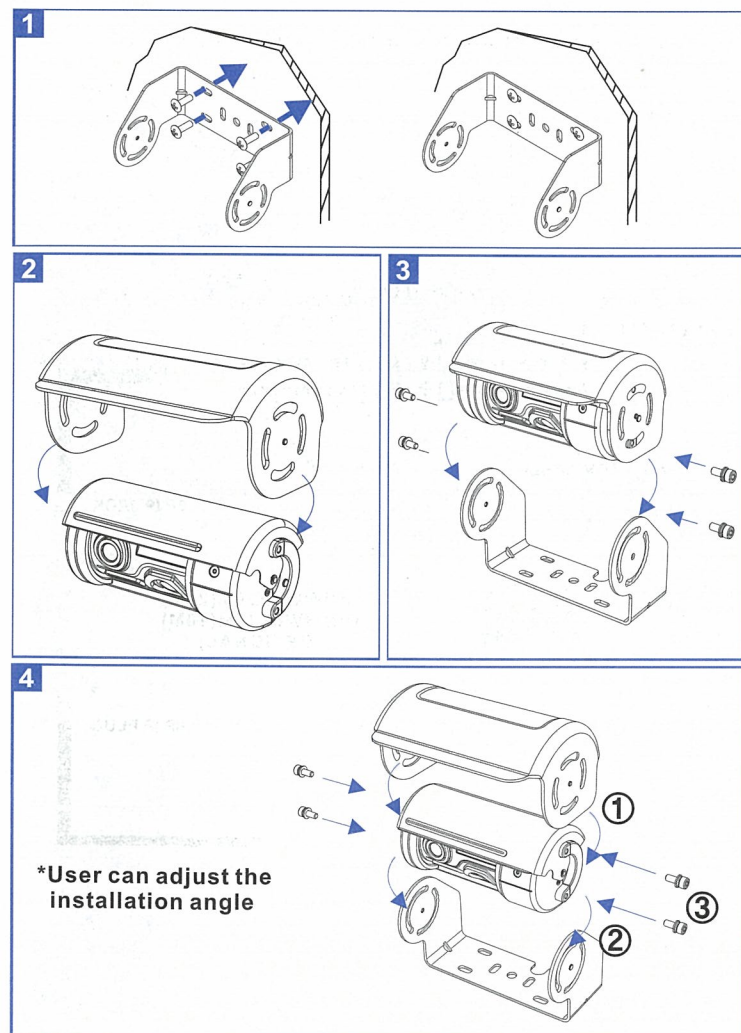
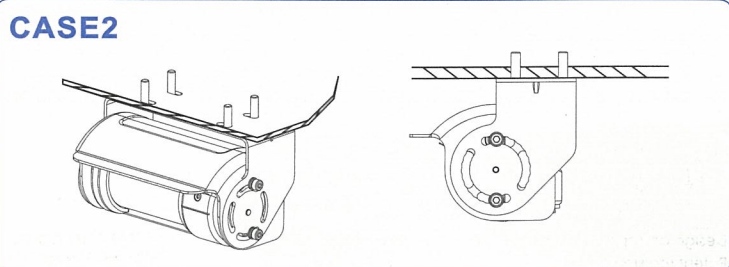
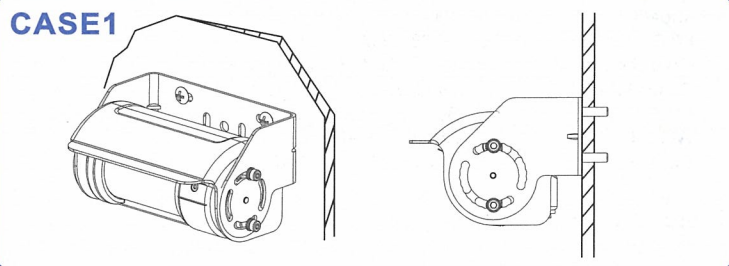


### 5 INSTALLATION

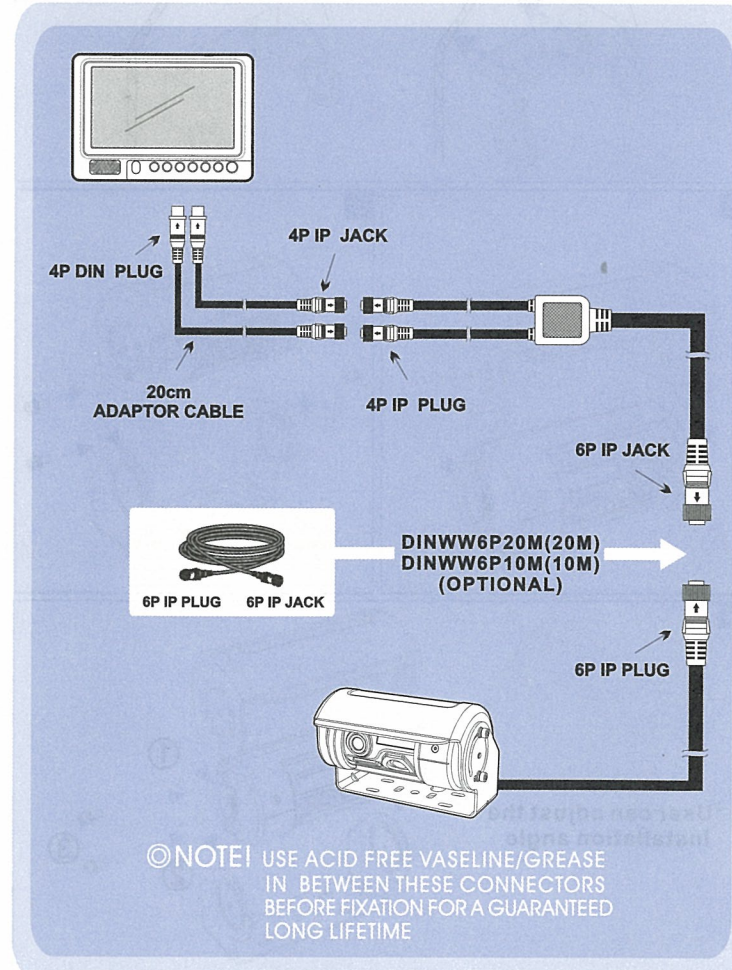
A. Fix the supplied mounting bracket to the vehicle. Adjust the angle of the camera and fasten the screws firmly.



A-1. Recommended guide line for assembling sunvisor.  
A-2. User can adjust the installation angle.



B. Run the cable from the monitor to the camera



### 6 SPECIFICATIONS

<b>Image</b>	Interline transfer type CCD
<b>Picture elements</b>	NTSC : 270,000 pixels PAL : 320,000 pixels
<b>Image size</b>	1/3 Inch
<b>Lens</b>	CAM1: Diagonal : 150° Horizontal : 120° Vertical : 90° CAM2: Diagonal : 53° Horizontal : 43° Vertical : 32° (Optional Different Lens Available.)
<b>Synchronization</b>	Internal
<b>Horizontal resolution</b>	More than 330TV lines
<b>Required illumination</b>	CAM1 : 0Lux.(IR LED ON) W/ 4 IR LED CAM2 : 1Lux.
<b>Signal to noise ratio</b>	Better than 50dB (at AGC off)
<b>Power supply</b>	12V DC
<b>Power consumption</b>	MAX 5.0W(at IR LED and Heater on)
<b>Vibration</b>	6G
<b>Impact</b>	100G
<b>I.P Factor</b>	I.P 68 (W/Mic.), I.P 69K (W/O Mic.)
<b>Operating temp.</b>	-10 C ~50 C (-14 F~ 122 F)
<b>Case Material</b>	Window : Curved Glass Body : Aluminum
<b>Weight</b>	Approx. 650g
<b>Dimensions</b>	114(W) x 57(H) x 59(D)mm (4.5(W) x 2.2(H) x 2.3(D) inch)
<b>Supplied accesories</b>	<ul style="list-style-type: none"> <li>* Camera Fixing Bracket (1)</li> <li>* Instruction Manual (1)</li> <li>* Screw Kits (1)</li> <li>* Sunvisor (1)</li> <li>* Wiper Rubber(Spare Part) (3)</li> <li>* Spit box (1)</li> <li>* Adaptor Cable (2)</li> </ul>