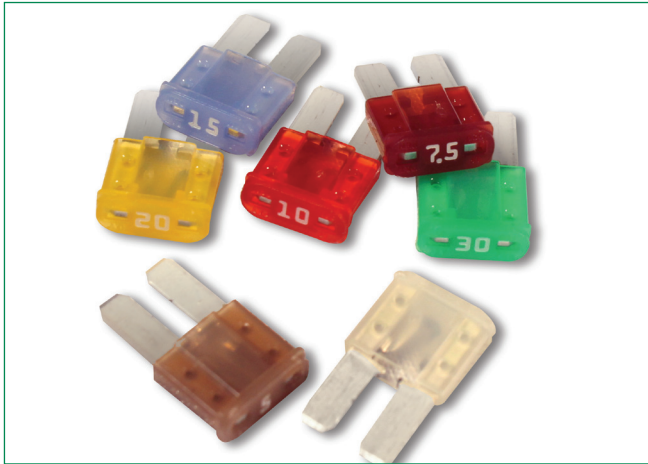


# MICRO2™ BLADE FUSE 32V

RoHS



## Description

The MICRO2™ Fuse is the new standard for vehicle circuit protection. Its sub-miniature design meets the need for more circuits to be protected while utilizing less space and its ability to cope with high temperatures in adverse environments makes the MICRO2™ Fuse of recommended choice for protection.

## Specifications

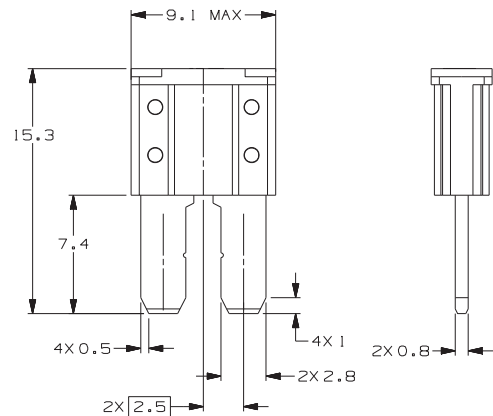
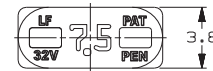
Voltage Rating:	32 VDC
Interrupting Ratings:	1000A @ 32 VDC
Operating Temperature Range:	-40°C to +125°C
Terminals:	Ag plated zinc alloy
Housing Material:	PA66

## Ordering Information

Part Number	Package Size
0327xxx.YX2S	4000
0327xxx.UXS	500
0327xxx.LXS	50

## Dimensions

Dimensions in mm



## Time-Current Characteristics

% of Rating	Opening Time Min / Max
110	100 h / -
135	0.75 sec / 120 sec
160	0.30 sec / 50 sec
200	0.15 sec / 5 sec
350	0.04 sec / 0.50 sec
600	0.02 sec / 0.100 sec

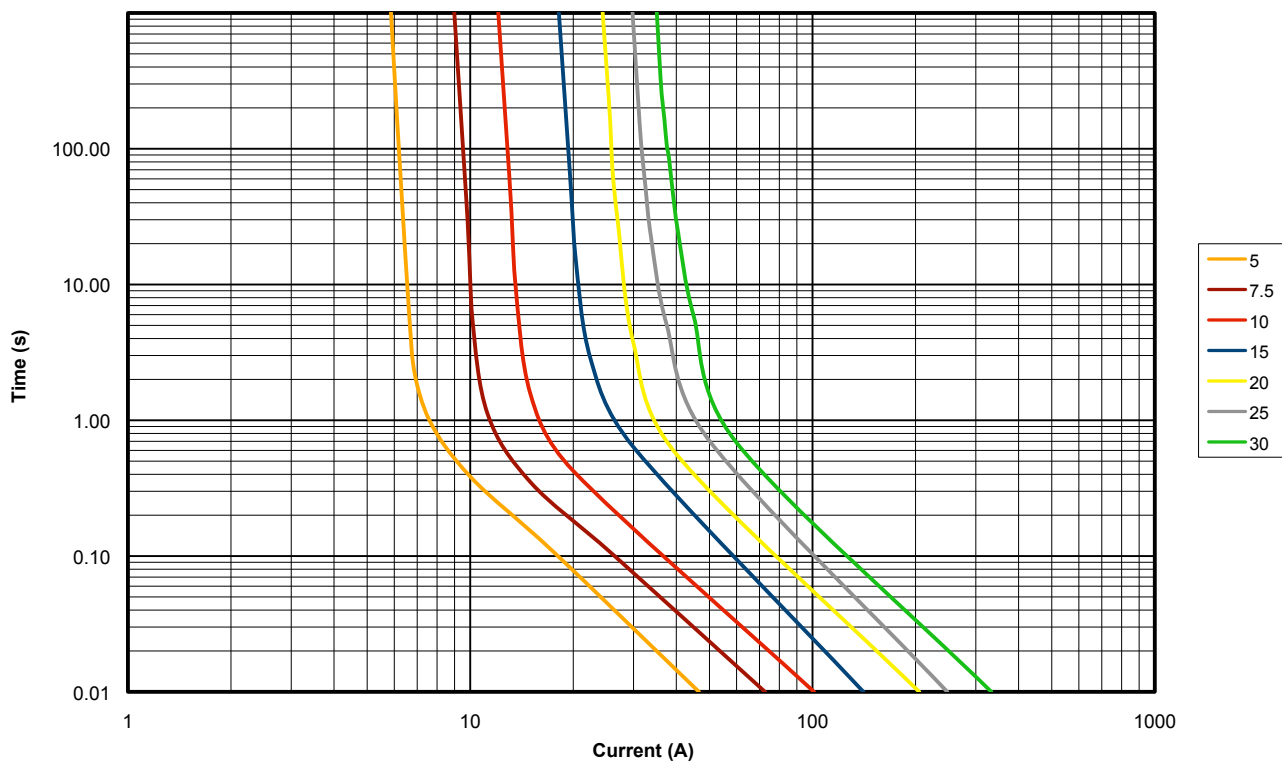
## Ratings

Part Number	Current Rating (A)	Housing Material Color	Typ. Voltage Drop (mV)	Cold Resistance (mΩ)	I <sup>2</sup> t (A <sup>2</sup> s)
0327005_	5 A		116 mV	17.4 mΩ	17 A <sup>2</sup> s
032707.5_	7.5 A		106 mV	10.8 mΩ	47 A <sup>2</sup> s
0327010_	10 A		102 mV	7.7 mΩ	89 A <sup>2</sup> s
0327015_	15 A		94 mV	4.9 mΩ	189 A <sup>2</sup> s
0327020_	20 A		91 mV	3.5 mΩ	397 A <sup>2</sup> s
0327025_	25 A		90 mV	2.6 mΩ	585 A <sup>2</sup> s
0327030_	30 A		88 mV	2.1 mΩ	1028 A <sup>2</sup> s

# MICRO2™ BLADE FUSE 32V

RoHS

## Time-Current Characteristic Curves



## Temperature Derating Curve

