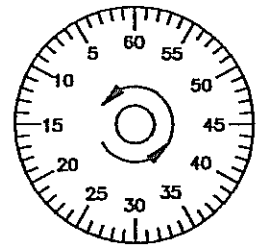


**DIAL LAYOUT**  
CONTROL SHOWN IN CALIBRATION POSITION

FOR REFERENCE ONLY

ALTITUDE CORRECTION BOTH "CUT-IN" AND "CUT-OUT" SCREWS MUST BE ADJUSTED	
ALTITUDE IN FEET	COUNTER CLOCKWISE TURNS
2,000	7/60
3,000	13/60
4,000	19/60
5,000	25/60
6,000	31/60
7,000	37/60
8,000	43/60
9,000	49/60
10,000	55/60

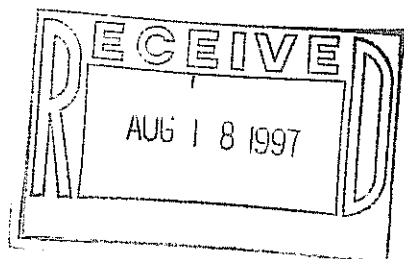
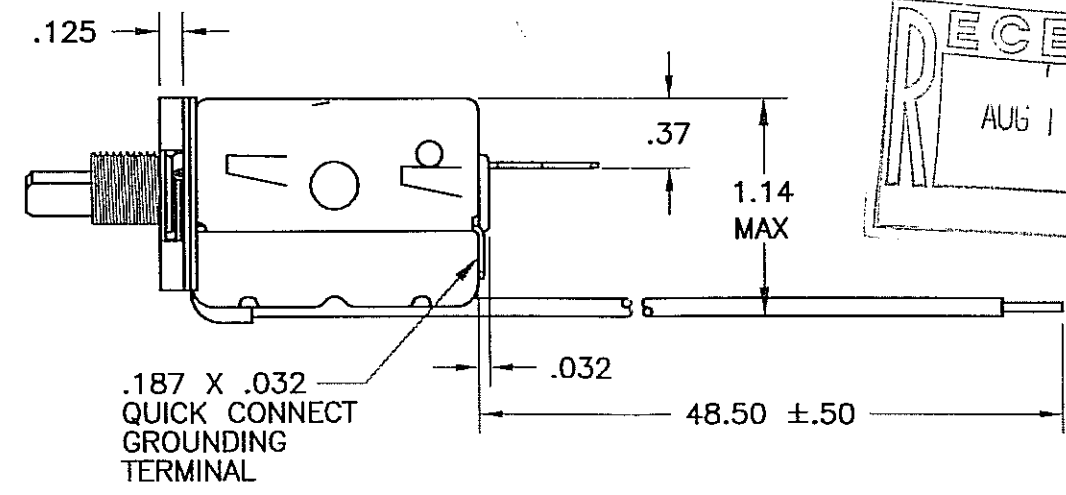
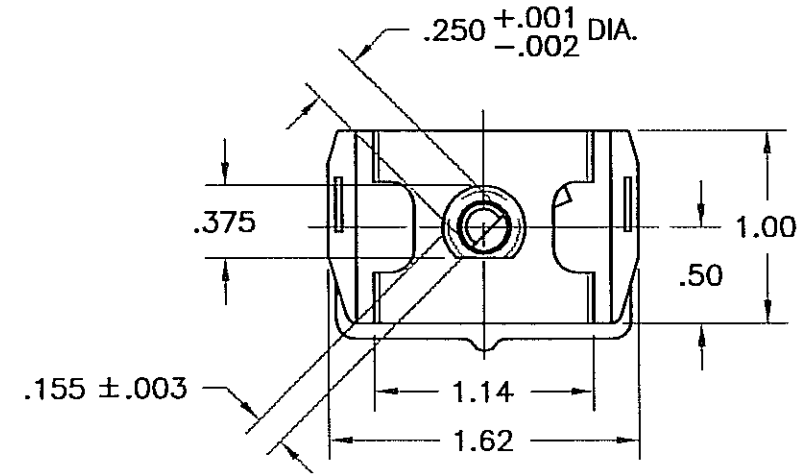


THIS SCALE MAY BE USED AS A GUIDE FOR MEASURING DEGREES OF ROTATION REQUIRED FOR ALTITUDE CORRECTION. THE ARROWS INDICATE DIRECTION OF SCREW ROTATION. 1/60 OF A TURN EQUALS 6 DEGREES OF ROTATION.

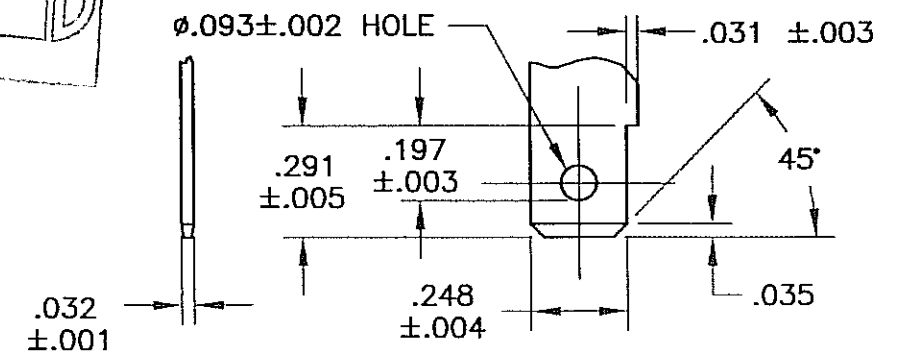
**NOTES:**

TEMPERATURE CALIBRATIONS		°F	°C
COLD ▲	CUT-OUT	26° ± 1.5°	-3.3° ± 0.8°
	CUT-IN	34° ± 1.5°	1.1° ± 0.8°
WARM	CUT-IN	59.5° ± 4.6°	15.3° ± 2.6°

- GAS FILL: R40, 1.3 DIAPHRAGM, .032 x .187 GROUND TERM.
- SHIPPED IN CALIBRATION POSITION.
- ELECTRICAL RATING:  
6 VDC, 10.0 A  
12 VDC, 6.0 A  
24 VDC, 3.0 A
- TYPE "R" CONTROL (STRAIGHT RANGE)
- ALL ACCESSORIES SHIPPED UNASSEMBLED.  
ACCESSORIES SHIPPED: PART NUMBER  
1 NUT 15-901



RELEASED BY: *[Signature]* DATE: 8/18/97



**TERMINAL DETAIL**

2 X SIZE

A	REVISED & REDRAWN TO NEW DRAWING FORMAT	T.S. <i>[Signature]</i> <i>[Signature]</i> F#1525-01-95	F		L	
B			G		M	
C			H		N	
D			J		P	
E			K		R	

**QUALITY SYMBOL DEFINITIONS**  
 ⓐ CRITICAL    Ⓜ DESIGN MAJOR    ▲ HIGHLIGHT PARAMETER  
 THESE QUALITY SYMBOLS SHALL BE INTERPRETED PER THE LATEST REVISION OF THE CONTROLS DIVISION SUPPLIER QUALITY REQUIREMENTS DOCUMENT Q-1000.  
 EATON CORPORATION CLAIMS ALL RIGHTS IN THE INFORMATION ON THIS DRAWING WHICH IS ISSUED IN CONFIDENCE AND IS NOT TO BE USED OR REPRODUCED EXCEPT AS NECESSARY IN SUPPLYING/PURCHASING A PRODUCT OR SERVICE TO/FROM EATON.  
 TOLERANCES: UNLESS OTHERWISE SPECIFIED  
 TWO PLACE DECIMALS (XX) = ±.02  
 THREE PLACE DECIMALS (XXX) = ±.010  
 ANGULAR ±2

**INCH**    THIRD ANGLE PROJECTION  
 ALL DIMENSIONS ARE IN INCHES UNLESS OTHERWISE SPECIFIED  
 DR. *[Signature]* 5-01 95  
 CHK. *[Signature]* 5-10 95  
 APP. *[Signature]* 5-11 95  
 Q1000 *[Signature]* 5-11 95  
 SCALE FULL ORIGINAL FILE NO. 152

**EATON** EATON CORPORATION, CONTROLS DIVISION  
 200 EAST ELM STREET  
 ATHENS, ALABAMA 35611  
 TITLE 9533F, 26/34F, 48.5", 8938-61  
 CUSTOMER AUTO AFTERMARKET  
 CUSTOMER PART NO.  
**CUSTOMER DRAWING 1 of 2**  
**B 9533N399**