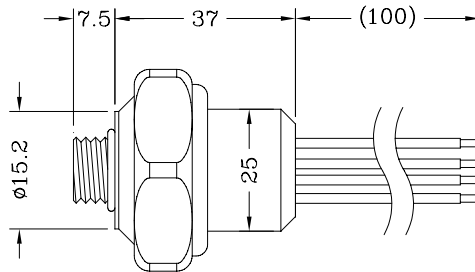
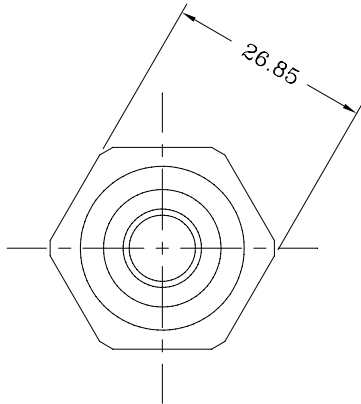
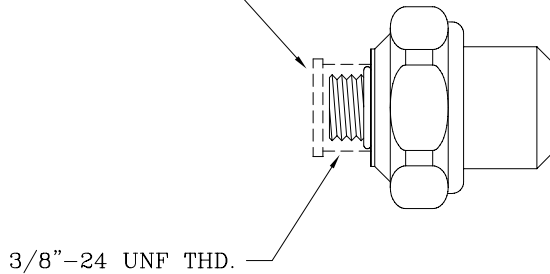


COMES SUPPLIED WITH
PROTECTIVE COVER AND
#7 "O" RING.



NOTES:

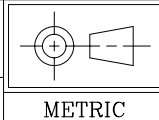
- 1) TRINARY PRESSURE SWITCH FOR HIGH AND LOW PRESSURE CLUTCH CONTROL AND CONDENSER FAN CONTROL; TWO SPST; TWO POSITION; SNAP ACTING.
- 2) SWITCH ACTION:
 - LOW PRESSURE CUT-OUT 29.0 ±2.9PSI
CUT-IN 30.5 ±4.4PSI
 - MED. PRESSURE CUT-OUT 188.5 ±21.8PSI
CUT-IN 232.1 ±18.9PSI
 - HIGH PRESSURE CUT-OUT 391.6 ±29PSI
CUT-IN 304.6 ±29PSI
- 3) MECHANICAL SPECIFICATIONS:
 - PRESSURE CONNECTION: 3/8-24 UNF WITH O-RING SEAL.
 - EXTERNAL LEAK TEST PRESSURE: 30Kgf/sq.cmG
 - PROOF PRESSURE 45Kgf/sq.cmG
 - REFRIGERANT: R-12, R-134A
 - TEMPERATURE RANGE: -30°C TO 100°C
- 4) ELECTRICAL SPECIFICATIONS:
 - RATED LOAD: 5A AT 12 VDC (CLUTCH)
1A AT 12 VDC (FAN)
 - INSULATION RESISTANCE: 50MΩ MIN. AT 500VDC
 - VOLTAGE DROP: 0.25V MAX AT RATED LOAD
 - DIELECTRIC STRENGTH: 500VAC - 1 MINUTE
 - WIRING: RED/WHITE - CLUTCH POWER IN
BLACK/WHITE - TO CLUTCH
BLUE/RED - FAN RELAY POWER IN
BLUE/WHITE - TO FAN RELAY
 - LEAD LENGTH: 4", STRIPPED 1/4"
- 5) ALL DIMENSIONS IN mm, UNLESS OTHERWISE INDICATED.

MCC 37				

CHECK BY:	DATE:	SYM	PCS	PART NO.	DESCRIPTION
-----------	-------	-----	-----	----------	-------------

SYM	DESCRIPTION	DATE	BY
	REVISION		

THIS PRINT IS PROVIDED ON A RESTRICTED BASIS AND IS NOT TO BE USED IN ANY WAY DETRIMENTAL TO THE INTEREST OF MOBILE CLIMATE CONTROL INC.



25-0667
PRESSURE SWITCH

SCALE: NTS	BY: JAP
DATE: MAR 13, 2000	
DWG: P3-11317	REV: 0