



Calais USB40/80

7 620 000 130

7 620 000 131

7 620 000 132

7 620 000 133



BOSCH

- de** Bedienungs- und Einbauanleitung
- en** Operating and installation instructions
- fr** Mode d'emploi et de montage
- it** Istruzioni d'uso e di installazione
- es** Instrucciones de manejo e instalación
- pt** Instruções de serviço e de montagem
- nl** Gebruiksaanwijzing en inbouwhandleiding
- sw** Bruks- och monteringsanvisning
- tr** Kullanım ve montaj kılavuzu

Table of Contents

36	Important notes	41	Tone
36	Use as directed	41	Adjusting the treble (TREB) and bass (BASS).
36	Remote control (option)	41	Adjusting the left/right volume balance (BAL) and the front/rear balance (FAD)
36	Disposal of old unit	41	Switching the loudness (LD) on and off
37	CODE theft protection	41	Resetting the tone
37	Switching code query on/off (CODE)	42	Time
38	Entering the code number after a voltage interruption	42	Displaying the time
38	Switching on/off	42	Setting the time (TIMESSET)
38	Switching on/off with the On/Off button	42	Selecting 12/24-hour clock mode (MODE)
38	Switching on/off via vehicle ignition	42	Switching the alarm on/off and adjusting the alarm time (ALARM)
38	Setting the switch-off time (HOUR)	43	Radio operation
39	Adjusting the volume	43	Switching to radio mode
39	Mute (MUTE)	43	RDS convenience functions (AF, REG)
39	Switching the confirmation beep (BEEP) on/off	44	Selecting the waveband / memory bank
39	Adjusting the maximum power-on volume (ONVOL)	44	Tuning into a station
40	Setting the speed-dependent volume adjustment (GALA)	45	Storing stations
40	Adjusting the telephone volume (PHVOL)	46	Listening to stored stations
		46	Scanning through the preset stations (PRSTSCAN)
		46	Scanning receivable stations (BANDSCAN)
		47	Program type (PTY)
		47	Treble reduction feature during interference (HCUT)
		48	Setting button functions (KEY PRG)

48	Traffic information	56	IR remote control
48	Switching traffic information priority on/off	56	Remote control receiver (IR)
49	Setting the volume increase for traffic announcements	56	Setting up the IR remote control for operation
49	Canceling traffic announcements	57	Functions of the remote control
		57	Changing the battery
49	CD operation	58	Preamplifier output
50	Starting the CD mode		
50	Displaying time elapsed or remaining	59	External audio sources
50	Selecting tracks	59	Front AUX input
50	Fast searching (audible)	59	Rear AUX inputs
50	Random track play (MIX)	59	Adjusting the level of the AUX input
50	Scanning tracks (SCAN)		
50	Repeating tracks (RPT)	60	Technical data
51	Pausing during play (PAUSE)		
51	Ejecting a CD		
52	MP3-CD/USB operation		
52	Preparing an MP3 data carrier		
53	Switching to MP3 mode		
54	Displaying time elapsed or remaining		
54	Displaying track information (ID3 tags)		
54	Selecting a directory		
55	Selecting tracks		
55	Fast searching (audible)		
55	Random track play (MIX)		
55	Scanning tracks (SCAN)		
55	Repeating individual tracks or whole directories (RPT)		
56	Pausing during play (PAUSE)		

Important notes

Read these instructions carefully and familiarize yourself with the device before starting operation of your device. Keep these instructions in the vehicle in case of subsequent questions.

Use as directed

The device has been designed to operate in a commercial vehicle with a 12 V vehicle power supply (7 620 000 130 / 132) or a 24 V vehicle power supply (7 620 000 131 / 133), and to be fitted into a 1-DIN slot.



Road safety

Road safety has absolute priority.

Only operate your device if the road and traffic conditions allow you to do so. Familiarize yourself with the device before setting off on your journey.

You should always be able to hear police, fire and ambulance sirens in good time from inside your vehicle.

For this reason, listen to your car sound system at a reasonable volume level during your journey.

Remote control (option)

The infra-red remote control allows you to use the most important functions. An infrared remote control is available as an accessory (Bosch no. 7 620 000 830).

Disposal of old unit



Do not dispose of your old device in the household trash!

Use the return and collection systems available to dispose of the old device.

CODE theft protection

Your device is equipped with a four-digit code number for protection against theft. This number must always be entered whenever the device has been separated from the operating voltage of the vehicle. The code query is active by default, but it can be switched off.



Note:

If the code query is activated, the Code LED (15) starts flashing if both the device and the vehicle ignition are switched off.

The code number is located in the radio pass for your device.



Note:

Never keep the radio pass inside the vehicle!

Switching code query on/off (CODE)

- ▶ Press the **MENU** (7) button to open the menu.
- ▶ Press the **MENU** (7) button repeatedly until "CODE" appears in the display.

After about 2 seconds, "0000" appears on the display, and you can enter the code:



Note:

If you enter an incorrect code number, "ERROR" appears on the display, after which "0000" is shown again. You can make the entry two more times. After the third incorrect entry, the device is locked for 1 hour. During this time, the display shows

"WAIT 1 HOUR". If you switch off the device during this waiting period, you will have to wait again for a full hour after switching it on again.

- ▶ Press the station button **1** (12) repeatedly until the first digit from your code number appears on the display.
- ▶ Press the station button **2** (12) repeatedly until the second digit from your code number appears on the display.
- ▶ Press the station button **3** (12) repeatedly until the third digit from your code number appears on the display.
- ▶ Press the station button **4** (12) repeatedly until the fourth digit from your code number appears on the display.



Note:

As soon as you have selected a position from the code number by pressing the station button **1 - 4** (12) it is also possible to set the code number digits using the volume control (1).

When the correct code number is shown on the display,

- ▶ Hold down the station button **5** (12) for longer than 2 seconds.

The display again shows "CODE" and the current setting "ON" or "OFF".

- ▶ Turn the volume controller (1) to the left or right in order to switch code query on or off.

In order to leave the menu

- ▶ Press the **MENU** (7) button, repeatedly if necessary.

Entering the code number after a voltage interruption

- ▶ Switch on the device.

The display first shows "CODE" and then "0000". You can enter the code:



Note:

If you enter an incorrect code number, "ERROR" appears on the display, after which "0000" is shown again. You can make the entry two more times. After the third incorrect entry, the device is locked for 1 hour. During this time, the display shows "BLOCKED". If you switch off the device during this waiting period, you will have to wait again for a full hour after switching it on again.

- ▶ Enter the code number as described in the section "Switching code query on/off".
- ▶ When the correct code number is shown on the display, hold down the station button **5** (12) for longer than 2 seconds.

The device will be switched on. "TIMESET" will appear for about 2 seconds on the display, after which the menu for entering the time will open.

- ▶ Enter the time as described in the "Setting the time" section of the "Time" chapter.
- ▶ Confirm the time you have entered by pressing the **SRC** (14) key.

Once the time has been confirmed, the device switches into normal operating mode.

Switching on/off

There are various ways of switching the device on/off:

Switching on/off with the On/Off button

- ▶ Press the On/Off button (3) to switch on.
- ▶ To switch the device off, press and hold down the On/Off button (3) for longer than two seconds.



Note:

To protect the vehicle battery, the device is automatically switched off after an adjustable time period if the vehicle ignition is switched off (see the section "Adjusting the switch-off time" in this chapter).

Switching on/off via vehicle ignition

If the device is connected to the vehicle's ignition and you did not switch the device off by pressing the On/Off button (3), it is switched on or off with the vehicle ignition.

Setting the switch-off time (HOUR)

- ▶ Press the **MENU** (7) button to open the menu.
- ▶ Press the **MENU** (7) button repeatedly until "HOUR" appears on the display along with the current setting.
- ▶ Turn the volume controller (1) to the left or right in order to set the switch-off time to between 1 and 60 minutes.

In order to leave the menu

- ▶ press the **MENU** (7) button, repeatedly if necessary.

Adjusting the volume

You can adjust the system volume in increments from 0 (off) to 32 (maximum).

- ▶ To increase the system volume, turn the volume control (1) clockwise.
- ▶ To reduce the system volume, turn the volume control (1) counterclockwise.

Mute (MUTE)

You can mute the system volume abruptly.

- ▶ Briefly press the (3) button.

Canceling mute

To return to your previously set volume level,

- ▶ Briefly press the (3) button again.

Switching the confirmation beep (BEEP) on/off

For certain actions, e.g. long press of a button, a confirmation beep sounds. You can switch off the confirmation beep:

- ▶ Press the **MENU** (7) button to open the menu.
- ▶ Press the **MENU** (7) button repeatedly until "BEEP" appears on the display, along with the current setting, "ON" or "OFF".
- ▶ Turn the volume controller (1) to the left or right in order to switch the confirmation tone on or off.

In order to leave the menu

- ▶ press the **MENU** (7) button, repeatedly if necessary.

Adjusting the maximum power-on volume (ONVOL)

When you switch on the device, it plays at the previously selected volume. However, if you

adjusted the volume before switch-off to be higher than maximum power-on volume, the volume is automatically limited to the adjusted power-on volume when you switch it on again.



Note:

To protect your hearing, the maximum power-on volume is limited to the value 25.

- ▶ Press the **MENU** (7) button to open the menu.
- ▶ Press the **MENU** (7) button repeatedly until "ONVOL" appears on the display along with the current setting.
- ▶ Turn the volume controller (1) to the left or right in order to set the switch-on volume to between 5 and 25.

In order to leave the menu

- ▶ Press the **MENU** (7) button, repeatedly if necessary.

Setting the speed-dependent volume adjustment (GALA)

This function automatically adjusts the volume of the car sound system to the speed driven and the associated driving noises. For example, at an increased speed, the volume is automatically increased to compensate for the increased driving noise (e.g. due to the airstream).

For this purpose, the vehicle must provide the speedometer signal, and the car sound system must be connected accordingly.

The automatic increase in volume can be adjusted in 6 increments (OFF, 1-5).

- ▶ Press the **MENU** (7) button to open the menu.
- ▶ Press the **MENU** (7) button repeatedly until "GALA" appears on the display along with the current setting.
- ▶ Turn the volume controller (1) to the left or right in order to switch volume increase on or off or to adjust it.

In order to leave the menu

- ▶ Press the **MENU** (7) button, repeatedly if necessary.

Adjusting the telephone volume (PHVOL)

You can adjust the volume with which the person to whom you are speaking is played through the unit's loudspeakers.

- ▶ Press the **MENU** (7) button to open the menu.
- ▶ Press the **MENU** (7) button repeatedly until "PHVOL" appears on the display along with the current setting.
- ▶ Turn the volume controller (1) to the left or right in order to set the switch-on volume to between 0 and 32.

In order to leave the menu

- ▶ Press the **MENU** (7) button, repeatedly if necessary.

Tone

Adjusting the treble (TREB) and bass (BASS).

- ▶ Press the **AUD** (11) button to open the menu.
- ▶ Press the **AUD** (11) button repeatedly until "BASS" or "TREB" appears on the display along with the current setting.
- ▶ Turn the volume controller (1) to the left or right in order to set bass or treble levels to between +7 and -7.

In order to leave the menu

- ▶ press the **AUD** (11) button, repeatedly if necessary.

Adjusting the left/right volume balance (BAL) and the front/rear balance (FAD)

- ▶ Press the **AUD** (11) button to open the menu.
- ▶ Press the **AUD** (11) button repeatedly until "BAL" or "FAD" appears on the display along with the current setting.
- ▶ Turn the volume controller (1) to the left or right in order to set the volume balance to between +10 and -10.

In order to leave the menu

- ▶ Press the **AUD** (11) button, repeatedly if necessary.



Note:

The "FAD" adjustment is only available on the 7 620 000 130 / 132 devices.

Switching the loudness (LD) on and off

- ▶ Press the **AUD** (11) button to open the menu.
- ▶ Press the **AUD** (11) button repeatedly until "LD" appears on the display, along with the current setting, "ON" or "OFF".
- ▶ Turn the volume controller (1) to the left or right in order to switch the loudness on or off.

In order to leave the menu

- ▶ Press the **AUD** (11) button, repeatedly if necessary.

Resetting the tone

You can reset all the tone adjustments to their factory default settings.

- ▶ Press the **AUD** (11) button to open the menu.
- ▶ Press the **AUD** (11) button repeatedly until "RESET N" appears in the display.
- ▶ Turn the volume controller (1) to the right in order to select "RESET Y".

After about 2 seconds all the tone adjustments will be reset.

In order to leave the menu

- ▶ Press the **AUD** (11) button, repeatedly if necessary.



Note:

You can reset the tone adjustments at any time, by holding down the **AUD** ; button for longer than 2 seconds. This only resets the treble and bass adjustments for the audio source being used at the time.

Time

Displaying the time

In order to display the time for about 10 seconds,

- ▶ Hold down the **MENU** (7) button for longer than 2 seconds.



Note:

Depending on the selected clock mode, either "24H" will be shown in front of the time when in 24-hour mode, or, in 12-hour mode, "AM" (in the morning) or "PM" (in the afternoon).

Read the section on "Selecting 12/24-hour clock mode" in this chapter to see how to set the clock mode.

Setting the time (TIMESSET)

- ▶ Press the **MENU** (7) button to open the menu.
- ▶ Press the **MENU** (7) button repeatedly until "TIMESSET" appears on the display along with the current setting.

The current time will be shown on the display after about 2 seconds. Either "24H" will be shown in front of the time when in 24-hour mode, or, in 12-hour mode, "AM" (in the morning) or "PM" (in the afternoon). The hours flash, and can be adjusted.

To adjust the hours or minutes,

- ▶ Turn the volume controller (1) to the left or right.

To switch between hours and minutes

- ▶ Press the **6** (12) button.
- ▶ Press the **MENU** 7 button, repeatedly if necessary, to close the menu.

Selecting 12/24-hour clock mode (MODE)

- ▶ Press the **MENU** (7) button to open the menu.
- ▶ Press the **MENU** (7) button repeatedly until "MODE" appears on the display along with the current setting.
- ▶ Turn the volume controller (1) to the left or right in order to change between the settings.
- ▶ Press the **MENU** (7) button, repeatedly if necessary, to close the menu.

Switching the alarm on/off and adjusting the alarm time (ALARM)

You can set an alarm time at the device for a one-off alarm. When the set time arrives, an alarm signal will sound for about 15 seconds and "ALARM" will flash on the display.



Note:

- ▶ In order to interrupt the alarm early, press any button (other than the On/Off button (3) or the eject button (4)). The device then switches into normal operating mode.
- ▶ The alarm is also given if the device is already switched on at the time of the alarm.

- ▶ Press the **MENU** (7) button to open the menu.
- ▶ Press the **MENU** (7) button repeatedly until "ALARM" appears on the display, along with the current setting, "ON" or "OFF".
- ▶ Turn the volume controller (1) to the left or right in order to switch the alarm on or off.

If "ALARM ON" is selected, the menu for setting the time will be displayed after about 2 seconds.

- ▶ Enter the alarm time as described in the "Setting the time" section.
- ▶ Press the **MENU** (7) button, repeatedly if necessary, to close the menu.

Radio operation

This device is equipped with an RDS radio receiver. Many of the receivable FM stations broadcast a signal that not only carries the program but also additional information such as the station name and program type (PTY). The station name appears in the display as soon as the tuner receives it.

Switching to radio mode

If you are in a different operating mode,

- ▶ Press the **BND** (2) button,
- or
- ▶ Press the **SRC** (14) button repeatedly until "RADIO" appears on the display.

The display shows the current frequency or the station name.

RDS convenience functions (AF, REG)

The RDS convenience functions AF (Alternative Frequency) and REG (Regional) expand the range of performance of your radio device:

- ▶ **AF:** If the RDS convenience function is activated, the device automatically searches in the background for the best receivable frequency of the set station.
- ▶ **REG:** At certain times, some radio stations divide their program into regional programs providing different content. The activated REG function prevents the device from switching to alternative frequencies of the adjusted station that are transmitting a different program content.

**Note:**

- ▶ RDS is switched on at the factory.
- ▶ The factory setting for REG is off, and it must be switched on or off separately in the menu.

Switching the RDS convenience function on/off

- ▶ If necessary, first switch to FM radio operation.
- ▶ Press the **MENU** (7) button to open the menu.
- ▶ Press the **MENU** (7) button repeatedly until "RDS" appears on the display, along with the current setting, "ON" or "OFF".
- ▶ Turn the volume controller (1) to the left or right in order to switch RDS on or off.
- ▶ Press the **MENU** (7) button, repeatedly if necessary, to close the menu.

The RDS convenience functions are active if the RDS symbol appears on the display.

Switching REG on/off (only when the tuner region is EUROPE)

- ▶ If necessary, first switch to radio operation.
- ▶ Press the **MENU** (7) button to open the menu.
- ▶ Press the **MENU** (7) button repeatedly until "REG" appears on the display, along with the current setting, "ON" or "OFF".
- ▶ Turn the volume controller (1) to the left or right in order to switch REG on or off.
- ▶ Press the **MENU** (7) button, repeatedly if necessary, to close the menu.

**Note:**

The REG ON/OFF setting takes effect only if the RDS function is active.

Selecting the waveband / memory bank

This device can be used to receive programs from the following frequency bands, depending on the tuner region:

- ▶ Europe: FM, MW, LW and SW
- ▶ NAFTA: FM, AM and WTH (weather band)

There are three memory banks available for the FM waveband (FM1, FM2 and FMT) and one for each of the MW, LW, SW, AM and WB wavebands. In addition, there is another AMT, MWT, LWT or SWT memory bank. Six stations can be stored in each memory bank.

In order to switch between the wave bands or memory banks,

- ▶ press the **BND** (2) button.

Tuning into a station

There are various ways of tuning into a station.

Automatic station search

**Note:**

Automatic station searching is only available if the "AUTOSEEK" setting for the < or > (8) buttons has been selected (see the section on "Setting button functions" in this chapter).

- ▶ Press the < or > (8) button.

The radio tunes into the next receivable station.

**Note:**

- ▶ If the priority for traffic information is activated and if "PTY" is switched off, the nearest traffic information station is selected.
- ▶ If PTY is activated, the next station of the selected program type is selected.

Adjusting the sensitivity of the station search (SENS)

You can select whether only strong stations should be tuned into with low sensitivity or also weak stations with high sensitivity.

- ▶ If necessary, first switch to radio operation.
- ▶ Press the **MENU** (7) button to open the menu.
- ▶ Press the **MENU** (7) button repeatedly until "SENS" appears on the display, along with the current setting, "LO" (low sensitivity) or "DX" (high sensitivity).
- ▶ Turn the volume controller (1) to the left or right in order to change between the settings.
- ▶ Press the **MENU** (7) button, repeatedly if necessary, to close the menu.

Manual radio station tuning

To change the set frequency in small increments,

- ▶ Press the < or > (8) button.

**Note:**

Changing the frequency in steps is only available if the "MANSEEK" setting for the < or > (8) buttons

has been selected in the menu (see the section on "Setting button functions" in this chapter).

To change the set frequency quickly,

- ▶ Hold down the < or > (8) button.

Storing stations**Storing stations manually**

- ▶ Select the desired memory bank or waveband.
- ▶ Tune into the station.
- ▶ Hold down one of the station buttons **1 - 6** (12), on which you want to store the station, for longer than two seconds.

The confirmation beep sounds. The station is stored on the selected station button. As long as the saved station remains tuned, its memory location (e. g. "P3") is shown on the display.

Storing stations automatically (T-STORE)

You can automatically store the six strongest stations in the region. For the FM waveband, the stations are stored in the FMT memory bank, and for the AM (NAFTA) waveband in the AMT memory bank. A common memory bank is available for the MW, LW and SW (Europe) wave bands. It is displayed as MWT, LWT or SWT (depending on the wave band in which the T-STORE function was last used).

**Note:**

- ▶ Any stations that were previously stored in this memory bank are

replaced by newly found stations.

- ▶ If priority for traffic information is active, only stations that carry traffic information will be saved.
- ▶ If PTY is activated, the next station of the selected program type is selected.

- ▶ Select the desired waveband.
- ▶ Press and hold down the **BND** (2) button for longer than two seconds.

The storing procedure begins. The display shows

"T-STORE". After the process has completed, the radio will play the station that is stored in memory location one of the FMT, AMT, MWT, LWT or SWT memory banks.

Listening to stored stations

- ▶ Select the memory bank or waveband.
- ▶ Press the station button **1 - 6** (12) where the desired station is stored.

Scanning through the preset stations (PRSTSCAN)

This function allows you to hear all the stored stations for about 10 seconds each.



Note:

This function is only available if the "PRSTSCAN" setting for the < or > (8) buttons has been selected in the menu (see the section on "Setting button functions" in this chapter).

Starting the scan

- ▶ Press the < or > (8) button.

"PRSTSCAN" briefly appears on the display.

Each station saved in the current memory bank is played for about 10 seconds. At the same time, the display shows the current frequency or the station name.

Stopping scan

- ▶ Press the < or > (8) button.

The scan process is stopped. The device remains tuned to the previously played station.

Scanning receivable stations (BANDSCAN)

This function allows you to scan all receivable stations each for about 10 seconds.



Note:

This function is only available if the "BANDSCAN" setting for the < or > (8) buttons has been selected in the menu (see the section on "Setting button functions" in this chapter).

Starting the scan

- ▶ Press the < or > (8) button.

"BANDSCAN" briefly appears on the display.

The device searches for stations in the current waveband. Every station found is played for about 10 seconds. At the same time, the display shows the current frequency or the station name.

Stopping scan

- ▶ Press the < or > (8) button.

The scan process is stopped. The device remains tuned to the previously played station.

Program type (PTY)

Besides transmitting the station name, some FM stations also provide information on the type of program that they are broadcasting. Examples of these program types could be:

CULTURE	TRAVEL
WEATHER	JAZZ MUSIC
NEWS	POP MUSIC

You can use the PTY function to select stations of a particular program type.

If PTY is switched on and a PTY seek tuning has been started, the device automatically changes from the current station or from another operating mode to the station with the selected program type.

Switching PTY on and off

- ▶ If necessary, first switch to FM radio operation.
- ▶ Press the **MENU** (7) button to open the menu.
- ▶ Press the **MENU** (7) button repeatedly until "PTY" appears in the display.
- ▶ Turn the volume controller (1) to the left or the right in order to select "PTY ON" or "PTY OFF".
- ▶ Press the **MENU** (7) button, repeatedly if necessary, to close the menu.

Selecting the program type



Note:

"PTY" must be switched on.

- ▶ If necessary, first switch to FM radio operation.
- ▶ Press the **MENU** (7) button to open the menu.
- ▶ Press the **MENU** (7) button repeatedly until "PTYTYPE" appears in the display.
- ▶ Turn the volume controller (1) to select the program type.
- ▶ Press the **MENU** (7) button, repeatedly if necessary, to close the menu.

Start the PTY search



Note:

PTY searching is only available if the "PTY" is switched on, and if "AUTO-SEEK" or "BANDSCAN" has been selected for the < or > (8) buttons (see the section on "Setting button functions" in this chapter).

- ▶ Press the < or > (8) button to start seek tuning.

If a station with the currently selected program type is found, it is tuned into. If no station is found offering this program type, the station that was being received most recently is restored.

Treble reduction feature during interference (HCUT)

The HCUT function results in improved playback in case of weak radio reception. If reception interferences are present, the interference level is automatically reduced.

- ▶ If necessary, first switch to radio operation.

- ▶ Press the **MENU** (7) button to open the menu.
- ▶ Press the **MENU** (7) button repeatedly until "HCUT" appears on the display, along with the current setting of "OFF", 1 or 2 (strength of the interference level cut).
- ▶ Turn the volume controller (1) to the left or right in order to adjust "HCUT" or to turn it off.
- ▶ Press the **MENU** (7) button, repeatedly if necessary, to close the menu.

Setting button functions (KEY PRG)

You can set the short press function of the < and > (8) buttons in radio operation. The following settings are available:

- ▶ **AUTOSEEK:** Automatically search for the next receivable station.
- ▶ **MANSEEK:** Manually alter the frequency in steps.
- ▶ **PRSTSCAN:** Sample the stations stored in the current memory bank.
- ▶ **BANDSCAN:** Sample receivable stations in the current waveband.
- ▶ If necessary, first switch to FM radio operation.
- ▶ Press the **MENU** (7) button to open the menu.
- ▶ Press the **MENU** (7) button repeatedly until "KEY PRG" appears in the display.
- ▶ Turn the volume controller (1) to the left or right in order to change between the settings.
- ▶ Press the **MENU** (7) button, repeatedly if necessary, to close the menu.

Traffic information

Switching traffic information priority on/off

To switch the priority for traffic information on or off in any operating mode,

- ▶ Press the **TA = button**.



Note:

This function is only available in the CD, USB and AUX operating modes if the FM waveband was tuned to last.

The priority for traffic announcements is activated if the display shows the TA symbol. As soon as the device receives a traffic announcement, it is switched through. The display shows "TRAFFIC" for the duration of the announcement.



Note:

You will hear a warning beep,

- ▶ if you leave the reception area of the selected traffic information station while you are listening to the traffic radio station or a CD, and the automatic search which then follows fails to find a new traffic information station.
- ▶ if you retune the radio from a traffic information station to a station that does not broadcast traffic information.

If you hear the warning beep, you can either switch off traffic information priority or tune into a station that broadcasts traffic information.

Setting the volume increase for traffic announcements

You can adjust the number of volume steps with which the traffic announcements are played back louder than the set volume:

- ▶ If necessary, first switch to FM radio operation.
- ▶ Press the **MENU** (7) button to open the menu.
- ▶ Press the **MENU** (7) button repeatedly until "ONVOL" appears on the display along with the current setting.
- ▶ Turn the volume controller (1) to the left or right in order to set the increase in volume to between 0 and 10.

In order to leave the menu

- ▶ Press the **MENU** (7) button, repeatedly if necessary.



Note:

Using the volume control 1, you can adjust the volume during a traffic announcement for the duration of that announcement.

Canceling traffic announcements

To cancel an ongoing traffic announcement and return to the previously playing audio source,

- ▶ Press the **TA = button**.

The priority for traffic announcement remains activated.

CD operation

You can play commercial audio CDs, CD-Rs and CD-RWs with a diameter of 12 cm on this device. In order to avoid problems with play, you should not burn your own CDs faster than 16x.



Risk of severe damage to the CD drive!

CD singles with a diameter of 8 cm and non-circular contoured CDs (shape CDs) must not be used. Handle the CD with care and avoid scratches and damage on the CD. If possible, only grasp the CD at the edge.

If a CD ever accumulates dirt, clean it with a lint-free cloth without using solvents. Always wipe the CD from the inside to the outside.

Do not expose the CD to direct sunlight, and keep the CD in a protective case outside the device. Do not stick any labels on to the CD. Only label the CD with commercial pens suitable for the purpose.

We accept no responsibility for any damage to the CD drive that may occur as a result of using unsuitable or damaged CDs.

To ensure proper functioning, use only CDs with the Compact-Disc logo. Copy-protected CDs can cause playback problems. Bosch cannot guarantee the proper functioning of copy-protected CDs!

Starting the CD mode

If there is no CD in the drive

- ▶ Insert the CD with the printed side upwards gently into the CD slot (5) until you can sense some resistance.

The CD is automatically drawn into the drive. The display shows the CD symbol.



Note:

- ▶ You must not hinder or assist the drive as it draws in the CD.
- ▶ If you insert a CD when the device is switched off, it will be taken in, but the device will not start play.

The CD starts playing. The number of the current track is shown on the display (e.g. "T12"), along with the time for which the track will play.

If there is already a CD in the drive

- ▶ Press the **SRC** (14) button repeatedly until "CD" appears on the display.

Playback begins from the point at which it was last interrupted.

Displaying time elapsed or remaining

In order to change between display of the elapsed or remaining time in the current track,

- ▶ Press the **6** (12) button.

Selecting tracks

- ▶ Press the **< or >** (8) button to change to the previous or next track.

If the current track has already been playing for longer than 10 seconds, pressing the **<** (8) button once will start it again.

Fast searching (audible)

In order to search rapidly backwards or forwards

- ▶ Hold down the **< or >** (8) button until you reach the desired location.

Random track play (MIX)

- ▶ Press the **3** (12) button. The display briefly shows "MIX ALL" and the MIX symbol appears. The next tracks are selected in random order.

Canceling MIX

- ▶ Press the **3** (12) button again.

The display briefly shows "MIX OFF" and the MIX symbol disappears. Normal playback is then resumed.

Scanning tracks (SCAN)

To scan all the tracks of the CD for about 10 seconds each,

- ▶ Press the **4** (12) button.

"SCAN TRK" briefly appears on the display.

Canceling the scan and continuing listening to a track

To cancel scanning,

- ▶ Press the **4** (12) button again.

"SCAN OFF" briefly appears on the display. The current track continues playing.

Repeating tracks (RPT)

- ▶ Press the **2** (12) button.

"RPT TRK" appears briefly on the display and the RPT symbol is displayed. The current track is repeated continuously until you deactivate RPT.

Exiting RPT

- ▶ Press the **2** (12) button again.

The display briefly shows "RPT OFF" and the RPT symbol disappears. Normal playback is then resumed.

Pausing during play (PAUSE)

- ▶ Press the **1** (12) button.

The display shows "PAUSE".

Continuing after the pause

- ▶ Press the **1** (12) button during the pause.

Play continues.

Ejecting a CD

**Note:**

You can also eject CDs while the device is switched off or another audio source is activated.

- ▶ Press the CD eject button (4).

The CD is ejected. If you are in CD operating mode, "CD EJECT" will briefly appear on the display.

**Note:**

You must not hinder or assist the drive as it ejects the CD.

- ▶ Remove the CD.

The CD symbol disappears.

**Note:**

If you do not remove an ejected CD, it is automatically pulled in again after about 10 seconds.

MP3-CD/USB operation

You can also use this device to play CD-Rs and CD-RWs that contain MP3 and WMA music files. In addition you can connect USB data carriers and play back MP3/WMA files stored on the USB data carrier.

This chapters deals only with playing MP3 files since the operation for MP3 and WMA files is identical. In this chapter, the designation "MP3 data carrier" refers to CD-R/RW as well as USB data carriers such as USB sticks.



Note:

- ▶ WMA files with Digital Rights Management (DRM) from online music shops cannot be played with this device.
- ▶ WMA files can only be played back safely if they were created with Windows Media Player version 8 or later.

Preparing an MP3 data carrier

Preparing an MP3-CD

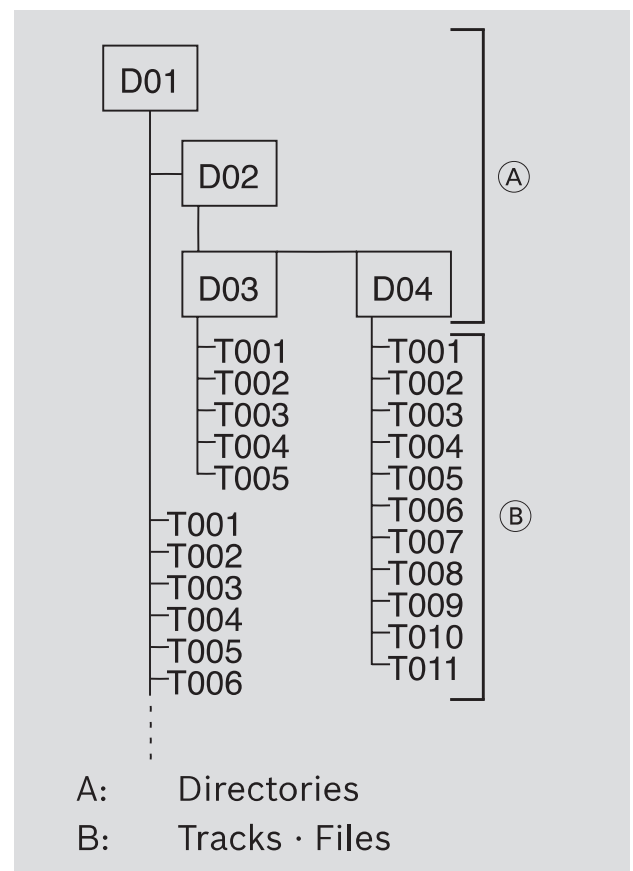
The various combinations of CD burners, CD burning software and CD blanks may lead to problems arising with the device's ability to play certain CDs. If problems occur with CDs you have burned yourself, you should try another brand of CD blank or choose another color of CD blank.

The format of the CD must be ISO 9660 Level 1/Level 2 or Joliet. Other formats cannot be played reliably.

When creating (coding) MP3/WMA files from audio files, you should use bit rates from 32 to

320 kbit/s for MP3 files or 32 to 192 kbit/s for WMA files.

This device supports up to 252 directories and up to 255 files per directory. At the same time, the CD may contain a total of up to 512 directories and files. The directories and tracks on the CD can be selected individually.



Every directory can be named using the PC. The device is capable of displaying the directory name. Name the directories and tracks/files using your CD burner software. The software's instruction manual will provide details on how to do this.



Note:

- ▶ When naming files (directories and tracks) you should avoid

using umlauts or special characters.

- ▶ If you use file names with more than 16 characters (including ".MP3" or ".WMA"), the maximum number of tracks and directories is reduced.

If you want your files to appear in a particular sequence, save the files on the data carrier in the sequence in which you want to play them later. The device plays back the files in the order in which they were physically stored on the data carrier.

To play back files in this device, the MP3 files must have the file extension

".MP3", while the WMA filenames must have the extension "WMA".



Note:

In order to ensure uninterrupted playback,

- ▶ Do not try changing the file extension to ".MP3" of any files that are not MP3 files and then attempt to play them! The device will ignore these invalid files during playback.
- ▶ Do not use "mixed" CDs containing both non-MP3 data and MP3 tracks (the device only reads MP3 files during MP3 playback).
- ▶ Do not use mix-mode CDs containing both CD-audio tracks and MP3 tracks. If you try playing a mix-mode CD, the

device will only play the CD-audio tracks.

Preparing a USB data carrier

For the device to recognize a USB data carrier, it must be specified as mass storage device and formatted using the FAT16 or FAT32 file system, and it must contain MP3 or WMA files.

You can put up to 5,000 files on a USB data carrier (without ID3 tags). The directories and tracks can be selected individually with this device. If you use tracks with ID3 tags the maximum number of files is reduced.

Bosch cannot guarantee the proper functioning of all USB data carriers available on the market.

ID3 tags

MP3 tracks can contain additional information such as the artist, album and track name (ID3 tags). This device can display version 1 and 2 ID3 tags.

Switching to MP3 mode

Activating the MP3 mode of a CD

For an MP3 CD, the MP3 mode is activated in the same way as the normal CD mode. For further information, please read the section entitled "Starting the CD mode" in the "CD mode" chapter.

The display shows the number of the current track (e.g. "T12") and the playing time, as well as track information (ID3 tags) or the file name. When changing to another directory, the directory name is briefly displayed.

Connecting a USB data carrier and starting MP3 mode

In order to be able to connect a USB data carrier (e.g. a USB stick or a USB drive) the USB cable must be connected to the mini-USB socket (10).

- ▶ Connect the USB device to the USB cable.

As soon as a USB data carrier is connected, it can be selected with the **SRC** (14) button. The display shows "USB".

Displaying time elapsed or remaining

In order to change between display of the elapsed or remaining time in the current track,

- ▶ Press the **6** (12) button.

Displaying track information (ID3 tags)

If the MP3 data carrier provides ID3 tags, the information for every track is shown once on the display as scrolling text at the start of the track. If no ID3 tags were stored with the MP3 files, the file name is displayed.



Note:

For storing ID3 tags, please also read the instructions for your PC MP3 software or burner software.

Displaying track information once as scrolling text

- ▶ Press the **5** (12) button.

The ID3 tags for the current track are shown once as scrolling text on the display.



Note:

This function is not available if the display of track information as scrolling text is switched off. Please read the section below: "Switching the display of track information as scrolling text on/off (SCRL)"

Switching the display of track information as scrolling text on/off (SCRL)

In order to switch the display of title information when a track starts as scrolling text on or off,

- ▶ First switch to CD or MP3-/WMA operation if necessary.
- ▶ Press the **MENU** (7) button to open the menu.
- ▶ Press the **MENU** (7) button repeatedly until "SCRL" appears on the display, along with the current setting, "OFF" or "ON".
- ▶ Turn the volume controller (1) to the left or right in order to switch scrolling text on or off.
- ▶ Press the **MENU** (7) button, repeatedly if necessary, to close the menu.

If "SCRL OFF" is set, the title information is shown on the display in segments of 8 characters at a time. Each section of text, along with the track number and the playing time, are displayed here for 5 seconds at a time in a continuous cycle.

Selecting a directory

To move up or down to another directory,

- ▶ Press the **▲** or **▼** (8) button.

**Note:**

The device will automatically skip any directories that do not contain MP3 files.

The device treats all the directories and subdirectories as if they were on a single level. Repeatedly pressing the **▲** or the **▼** (8) button will also bring you to all the subdirectories.

Selecting tracks

- ▶ Press the **<** or **>** (8) button to change to the previous or next track.

If the current track has already been playing for longer than 10 seconds, pressing the **<** (8) button once will start it again.

Fast searching (audible)

In order to search rapidly backwards or forwards

- ▶ Hold down the **<** or **>** (8) button until you reach the desired location.

Random track play (MIX)

To play the tracks in the current directory in random order,

- ▶ Press the **3** (12) button repeatedly until "MIX DIR" appears in the display.

The MIX symbol appears on the display.

To play the tracks in the MP3 data carrier in random order,

- ▶ Press the **3** (12) button repeatedly until "MIX ALL" appears in the display.

The MIX symbol appears on the display.

Canceling MIX

In order to stop playing in random order,

- ▶ Press the **3** (12) button repeatedly until "MIX OFF" appears in the display.

The MIX symbol on the display disappears.

Scanning tracks (SCAN)

To play the tracks in the MP3 data carrier in ascending order for about 10 seconds each,

- ▶ Press the **4** (12) button repeatedly until "SCAN TRK" appears on the display.

To sample all the tracks in the current directory,

- ▶ Press the **4** (12) button repeatedly until "SCAN FLD" appears on the display.

Ending SCAN

In order to stop sampling the tracks

- ▶ Press the **4** (12) button repeatedly until "SCAN OFF" appears on the display.

The currently scanned track will then continue to be played normally.

Repeating individual tracks or whole directories (RPT)

To repeat the current track,

- ▶ Press the **2** (12) button repeatedly until "RPT TRK" appears in the display.

The RPT symbol appears on the display.

To repeat the current directory,

- ▶ Press the **2** (12) button repeatedly until "RPT DIR" appears in the display.

The RPT symbol appears on the display.

Exiting RPT

To stop repeating the track,

- ▶ Press the **2** (12) button repeatedly until "RPT OFF" appears in the display.

The RPT symbol on the display disappears.

Pausing during play (PAUSE)

- ▶ Press the **1** (12) button.

The display shows "PAUSE".

Continuing after the pause

- ▶ Press the **1** (12) button during the pause.

Play continues.

IR remote control

The optional IR remote control allows controlling the most important functions of the device.

Remote control receiver (IR)

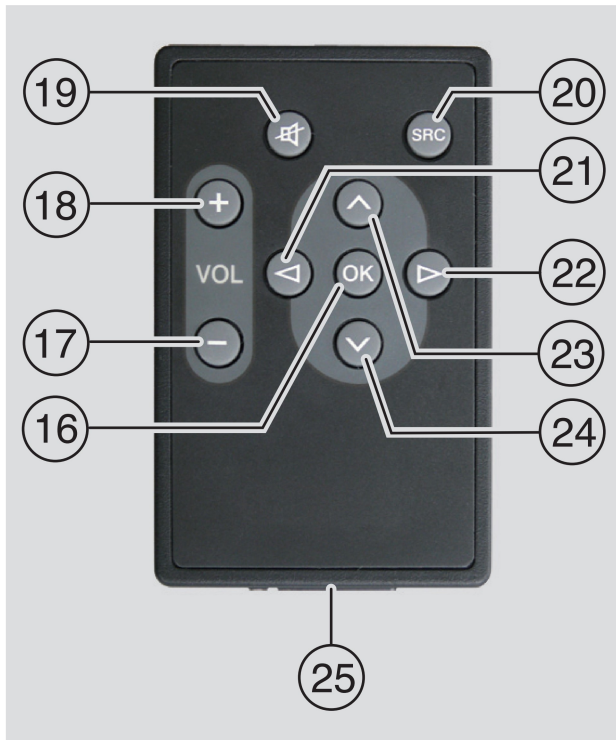
The cap of the device contains the infrared receiver for the remote control. The receiver must be switched on before using the remote control:

- ▶ Press the **MENU** (7) button to open the menu.
- ▶ Press the **MENU** (7) button repeatedly until "IR" appears on the display, along with the current setting, "OFF" or "ON".
- ▶ Turn the volume controller (1) to the left or right in order to switch the receiver on or off.
- ▶ Press the **MENU** (7) button, repeatedly if necessary, to close the menu.

Setting up the IR remote control for operation

There is a battery in the battery compartment (25) of the remote control when the device is shipped. A foil blocks the contact between the battery in remote control unit. Please take out the battery and remove the foil before starting operation. Read the section on "Changing the battery" in this chapter to see how to take the battery out.

Functions of the remote control



General:

Button	Function
	19 Mute the device
SRC	20 Change between sources
VOL +	18 Increase the volume
VOL -	17 Reduce the volume

In radio mode:

Button	Function
>	22 Short press: Automatic station search/ PTY search/ manual station tuning/ scan through preset stations Long press: Change the frequency quickly
<	21 Short press: Automatic station search/ PTY search/ manual station tuning/ scan through preset stations

Long press: Change the frequency quickly



Note:

The function called by a short press to the **<** or **>** (8) buttons must be selected in the menu (see the section on "Setting button functions" in the chapter on "Radio Operation").

In CD mode:

Button	Function
>	22 Short press: Select the next track Long press: Search forwards
<	21 Short press: Select the previous track Long press: Search backwards

MP3 mode

Button	Function
>	22 Short press: Select the next track Long press: Search forwards
<	21 Short press: Select the previous track Long press: Search backwards
↗	23 Play the next directory
↘	24 Play the previous directory

Changing the battery

In order to change the battery of the IR remote control unit,

- ▶ Unlock the battery compartment I by pressing the release lever on the battery compartment.

- ▶ Remove the battery compartment from the housing.
- ▶ Remove the old battery, and insert the new battery (CR2025, 3 V) in such a way that the positive pole faces towards the rear of the housing when the battery compartment I is pushed in.
- ▶ Push the battery compartment back into the housing.

**Note:**

Do not dispose of used batteries in the household trash, but hand them in at a suitable collection point.

Preamplifier output

You can connect an amplifier to the device in order to operate a subwoofer loudspeaker. To do so, the amplifier must be connected to the rear side of the device (compartment C1). The level of the subwoofer can be adjusted in the Audio menu:

- ▶ Press the **AUD** (11) button to open the menu.
- ▶ Press the **AUD** (11) button repeatedly until "SUBWF" appears on the display along with the current setting.
- ▶ Turn the volume controller (1) to the left or right in order to set the level to between 0 and 7.

In order to leave the menu

- ▶ Press the **AUD** (11) button, repeatedly if necessary.

**Note:**

When the tone settings are reset (see the "Resetting the tone" section in the "Sound" chapter), the level of the subwoofer is set to "0".

External audio sources

You can connect different types of external audio sources to the device via the three AUX inputs:

- ▶ Front AUX-IN socket (AUX FRNT)
- ▶ Rear AUX inputs (AUX1REAR, AUX3REAR)

Front AUX input



Increased risk of injury from plugs!

Plugs that stick out of the front AUX IN socket (9) can cause injuries in the event of an accident.

For this reason you should only use angled jack plugs.

As soon as an external audio source is inserted into the front AUX IN socket (9) it can be selected with the **SRC** (14) button. The display shows "AUX FRNT".

Rear AUX inputs

Various external audio sources, such as portable CD players, MiniDisc players or MP3 players can be connected to the device through the rear AUX inputs.



Note:

In the NAFTA version of the device, the rear AUX input "AUX3" is designed for connecting an XM or Sirius satellite tuner.

Before you can use the rear AUX inputs you must switch them on through the menu (see

the section on "Switching the rear AUX inputs on or off" in this chapter).

As soon as the AUX inputs are activated, you can select them by pressing the **SOURCE** (14) button. The display then shows "AUX1REAR" or "AUX3REAR".

Switching the rear AUX inputs on or off

- ▶ Press the **MENU** (7) button to open the menu.
- ▶ Press the **MENU** (7) button repeatedly until "AUX1" or "AUX2" appears on the display, along with the current setting, "OFF" or "ON".
- ▶ Turn the volume controller (1) to the left or right in order to switch the input on or off.
- ▶ Press the **MENU** (7) button, repeatedly if necessary, to close the menu.

Adjusting the level of the AUX input

You can adjust the level separately for each AUX input, in order to match the level of the external audio source to the level of the device's own audio sources (such as the CD and radio).



Note:

You can adjust the level for an AUX input only when this input is selected as audio source with the **SRC** (14) button.

- ▶ Press the **SRC** (14) button until the AUX source that you want is displayed.

- ▶ Press the **MENU** (7) button.

"GAIN" and the current setting are displayed.

- ▶ Turn the volume controller (1) to the left or right in order to set the level to between -9 and +9.

In order to leave the menu

- ▶ Press the **MENU** (7) button, repeatedly if necessary.

Technical data

Operating voltage

7 620 000 130/132: 12 V

7 620 000 131/133: 24 V

Amplifier

Output power:

7 620 000 130/132: 4 x 20 Watt sine wave
into 4 Ohms

7 620 000 131/133: 2 x 20 Watt sine wave
into 4 Ohms

Preamp output: 2 x 2.0 V eff

AUX input: 2 x 2.0 V eff

Tuner

Wavebands in Europe:

VHF (FM): 87.5 – 108 MHz

MW: 531 – 1602 kHz

LW: 153 – 279 kHz

SW: 5800 – 6300 kHz

NAFTA wavebands:

FM: 87.7 – 107.9 MHz

AM: 530 – 1710 kHz

WTH: 162.4 – 162.55 MHz

FM frequency response: 30 – 15 000 Hz

CD

Frequency response: 20 – 20 000 Hz

Subject to changes!

ISO connector 7 620 000 130 / 132**A POWER SUPPLY CONNECTOR**

1	-
2	GALA
3	-
4	IGNITION (+12V)
5	ANTENNA SUPPLY (12V OUT, I max 150mA)
6	ILLUMINATION
7	BATTERY (+12V)
8	GROUND (MINUS)

B SPEAKER CONNECTOR

1	SPEAKER RIGHT REAR (+)
2	SPEAKER RIGHT REAR (-)
3	SPEAKER RIGHT FRONT (+)
4	SPEAKER RIGHT FRONT (-)
5	SPEAKER LEFT FRONT (+)
6	SPEAKER LEFT FRONT (-)
7	SPEAKER LEFT REAR (+)
8	SPEAKER LEFT REAR (-)

C1 PREAMP CONNECTOR

1	PREAMP OUT LEFT
2	PREAMP OUT RIGHT
3	PREAMP OUT GND
4	SUBWOOFER OUT
5	SUBWOOFER OUT GND
6	EXT AMP ON (+12V OUT)

C2 PHONE CONNECTOR

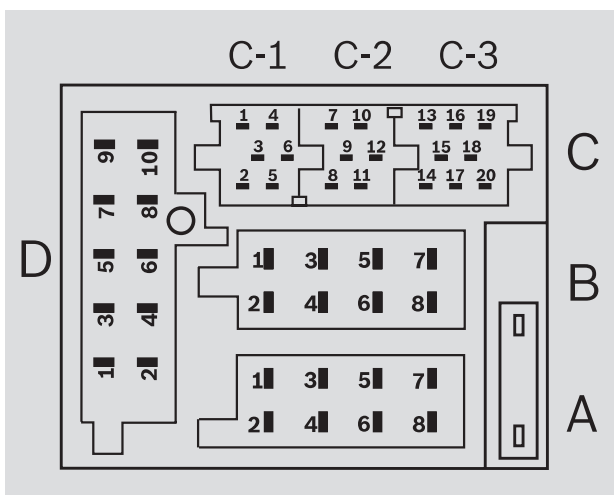
7	PHONE AF IN (+)
8	PHONE AF IN (-)
9	PHONE MUTE
10	-
11	-
12	-

C3 AUX3 CONNECTOR *

13	-
14	-
15	-
16	-
17	-
18	AUX3 AF GND *
19	AUX3 AF LEFT *
20	AUX3 AF RIGHT *

D AUX1 CONNECTOR

1	AUX1 AF LEFT (+)
2	AUX1 AF LEFT (-)
3	AUX1 AF RIGHT (+)
4	AUX1 AF RIGHT (-)
5	-
6	-
7	-
8	-
9	-
10	-

*** Remark:**

No AUX3 connection for
7 620 000 130.

ISO connector 7 620 000 131**A POWER SUPPLY CONNECTOR**

1	-
2	GALA
3	-
4	IGNITION (+24V)
5	ANTENNA SUPPLY (12V OUT, I _{max} 150mA)
6	ILLUMINATION
7	BATTERY (+24V)
8	GROUND (MINUS)

B SPEAKER CONNECTOR

1	-
2	-
3	SPEAKER RIGHT FRONT (+)
4	SPEAKER RIGHT FRONT (-)
5	SPEAKER LEFT FRONT (+)
6	SPEAKER LEFT FRONT (-)
7	-
8	-

C1 PREAMP CONNECTOR

1	PREAMP OUT LEFT
2	PREAMP OUT RIGHT
3	PREAMP OUT GND
4	SUBWOOFER OUT
5	SUBWOOFER OUT GND
6	EXT AMP ON (+12V OUT)

C2 PHONE CONNECTOR

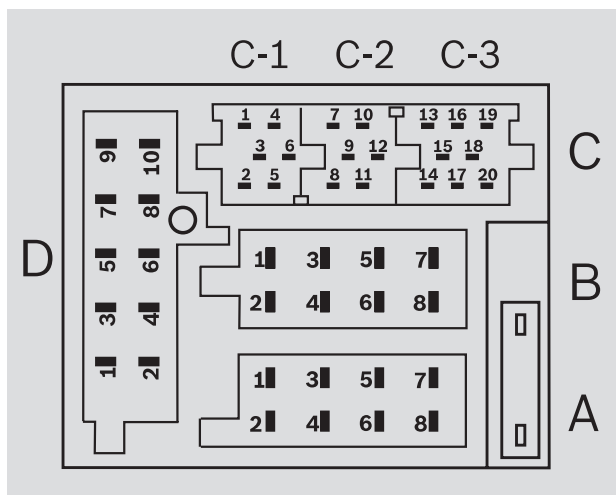
7	PHONE AF IN (+)
8	PHONE AF IN (-)
9	PHONE MUTE
10	-
11	-
12	-

C3 XM CONNECTOR

13	XM DATA
14	RADIO DATA
15	XM BATTERY
16	XM U12 SW
17	XM GND
18	XM AF GND
19	XM AF LEFT
20	XM AF RIGHT

D AUX1 CONNECTOR

1	AUX1 AF LEFT (+)
2	AUX1 AF LEFT (-)
3	AUX1 AF RIGHT (+)
4	AUX1 AF RIGHT (-)
5	-
6	-
7	-
8	-
9	-
10	-



ISO connector 7 620 000 133**A POWER SUPPLY CONNECTOR**

- 1 -
- 2 GALA
- 3 -
- 4 IGNITION (+24V)
- 5 ANTENNA SUPPLY
(12V OUT, I max 150mA)
- 6 ILLUMINATION
- 7 BATTERY (+24V)
- 8 GROUND (MINUS)

B SPEAKER CONNECTOR

- 1 -
- 2 -
- 3 SPEAKER RIGHT FRONT (+)
- 4 SPEAKER RIGHT FRONT (-)
- 5 SPEAKER LEFT FRONT (+)
- 6 SPEAKER LEFT FRONT (-)
- 7 -
- 8 -

C1 PREAMP CONNECTOR

- 1 PREAMP OUT LEFT
- 2 PREAMP OUT RIGHT
- 3 PREAMP OUT GND
- 4 SUBWOOFER OUT
- 5 SUBWOOFER OUT GND
- 6 EXT AMP ON (+12V OUT)

C2 PHONE CONNECTOR

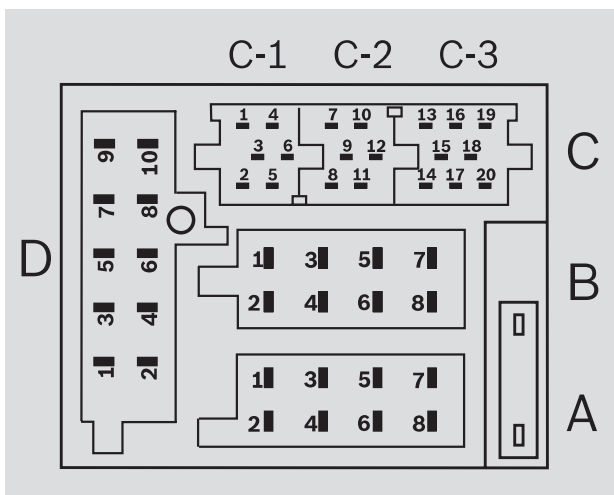
- 7 PHONE AF IN (+)
- 8 PHONE AF IN (-)
- 9 PHONE MUTE
- 10 -
- 11 -
- 12 -

C3 AUX3 CONNECTOR

- 13 -
- 14 -
- 15 -
- 16 -
- 17 -
- 18 AUX3 AF GND
- 19 AUX3 AF LEFT
- 20 AUX3 AF RIGHT

D AUX1 CONNECTOR

- 1 AUX1 AF LEFT (+)
- 2 AUX1 AF LEFT (-)
- 3 AUX1 AF RIGHT (+)
- 4 AUX1 AF RIGHT (-)
- 5 -
- 6 -
- 7 -
- 8 -
- 9 -
- 10 -



Robert Bosch Car Multimedia GmbH

Robert-Bosch-Straße 200

31139 Hildesheim

Germany

www.bosch-professional-systems.com

