

10W 4513

Fiat Ducato / Citroen Jumper / Peugeot Boxer Md. 2014

EU-Pedestrian Protection Bar 76 mm

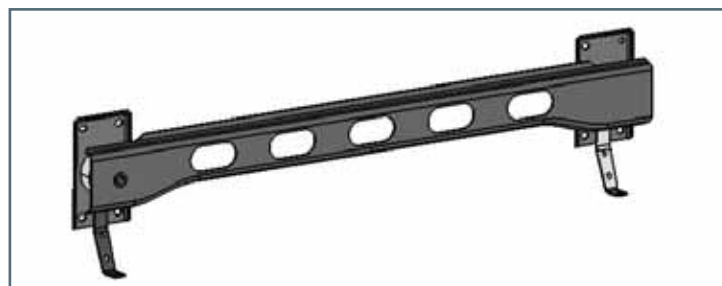
EU-Personenschutzbügel 76mm

Protection avant, homologuée CEE, 76 mm



large crashbox
grosse Crashbox
grande crashbox

short crashbox - order separately 10W9913
kurze Crashbox - zusätzlich 10W9913 bestellen
court crashbox - commander séparément 10W9913



ASSEMBLY INSTRUCTION

Montageanleitung • Instructions de montage



45 Minuten

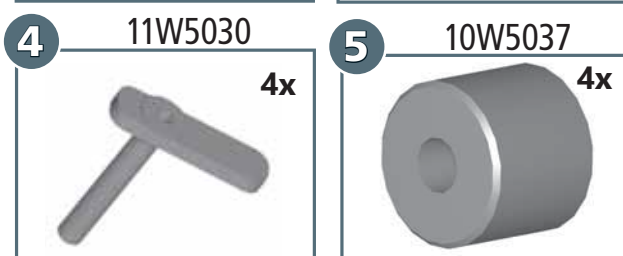
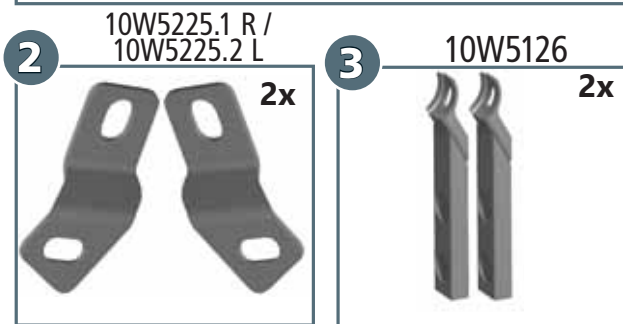
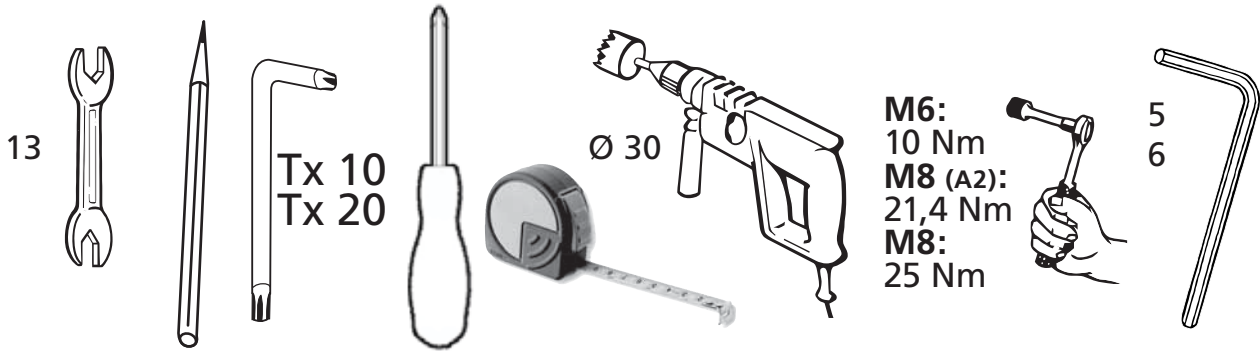
Artikel-Nr:

10W4513 stainless steel

10W5513 black steel

Revision 4: 22.06.2015





a		Ø 8,4; DIN 9021 Zn	4x
b		Ø 8; DIN 127 Zn	4x
c		M8; DIN 934 Zn	4x
d		Ø 32	4x
e		M8 x 25; DIN 912 A2	2x
f		Ø 8; DIN 127 A2	4x
g		Ø 8,4; DIN 9021 A2	4x
h		SW 13	2x
i		M8 x 25; DIN 933A2	2x
j		M6 x 30; DIN 912 Zn	2x
k		Ø 6; DIN 127 Zn	2x
l		Ø 6,4; DIN 9021 Zn	2x
m		Ø 4,8 x 19; DIN 7981 A2	4x
n		Ø 5,3; DIN 9021 A2	4x

Step 1

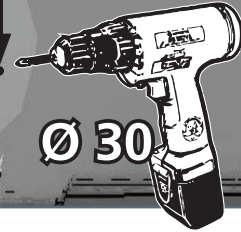


18 mm | 230 mm | 230 mm | 18 mm

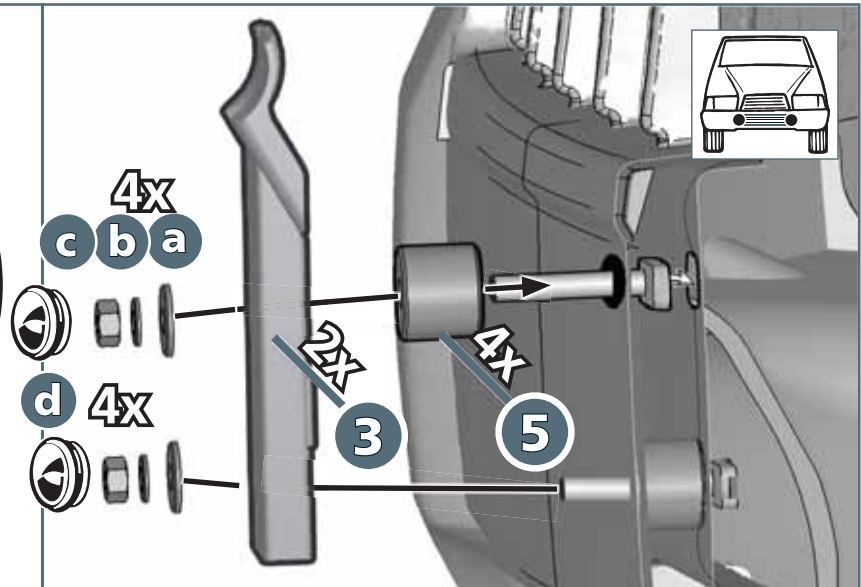
68 mm

68 mm

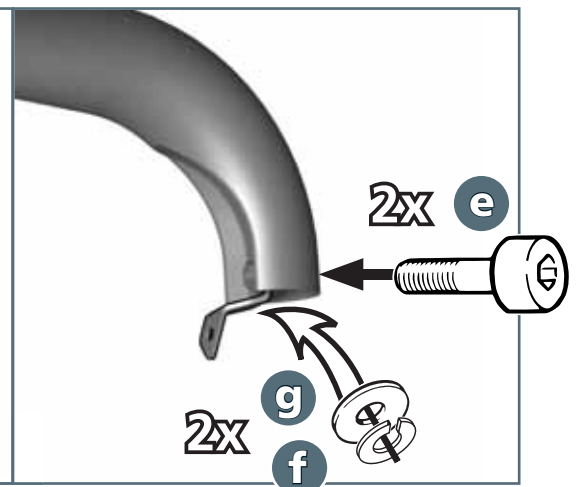
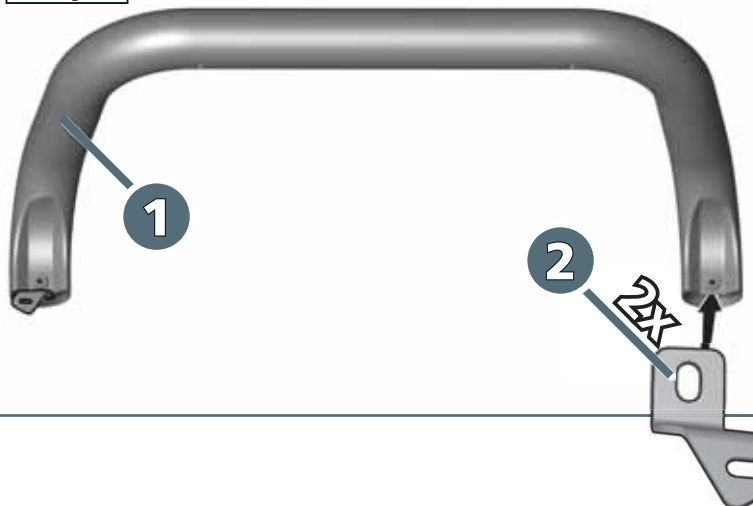
4x Ø 30

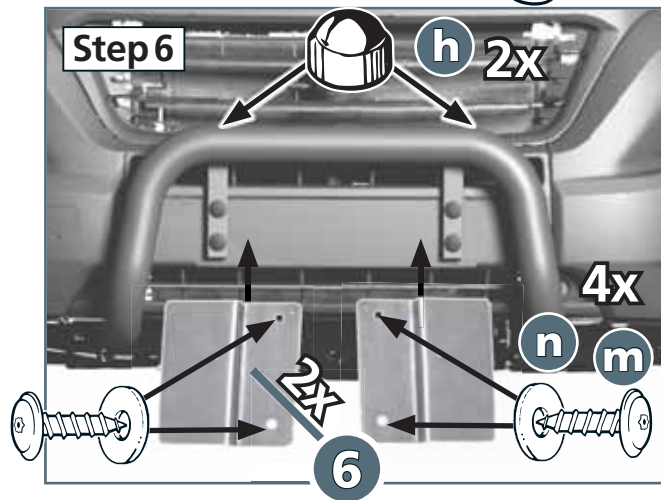
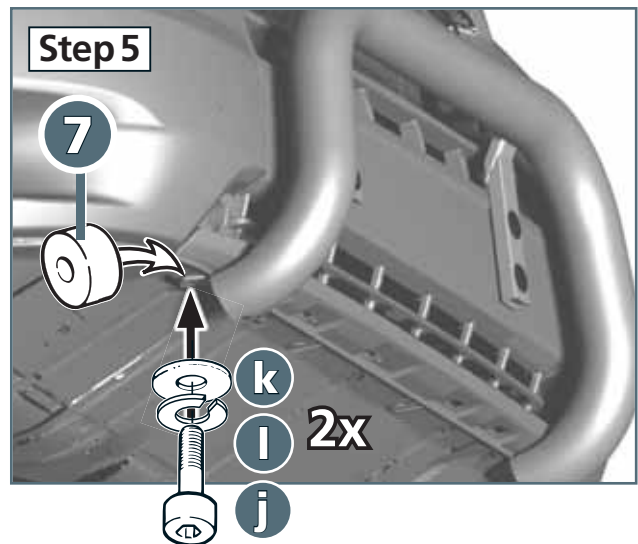
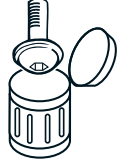
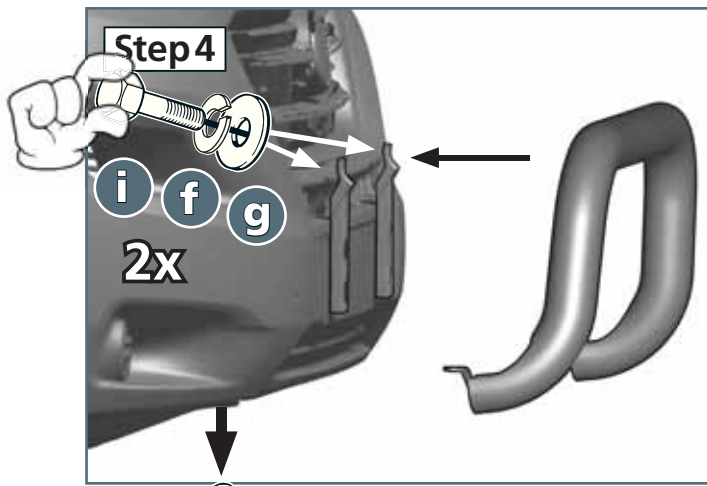


Step 2



Step 3





M6:
 10 Nm
M8 (A2):
 21,4 Nm
M8:
 25 Nm