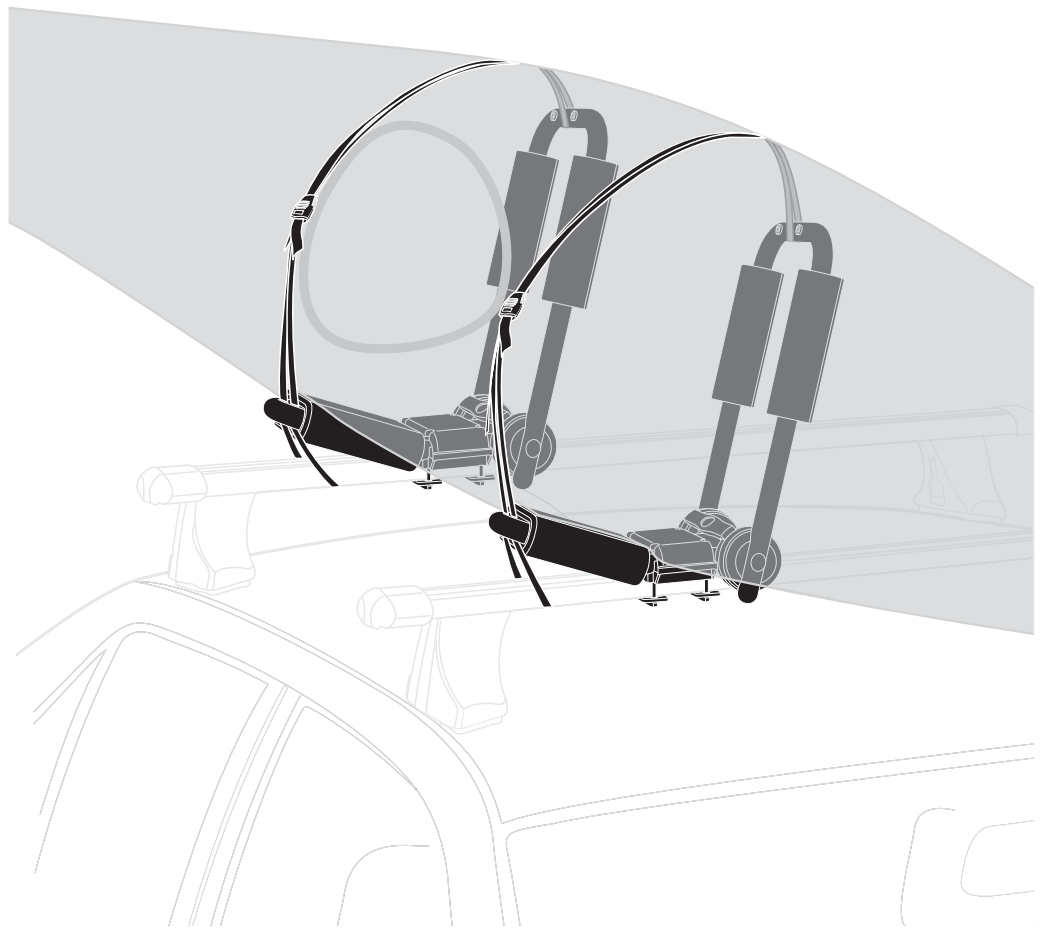


Instructions

# Hull-a-port PRO 837

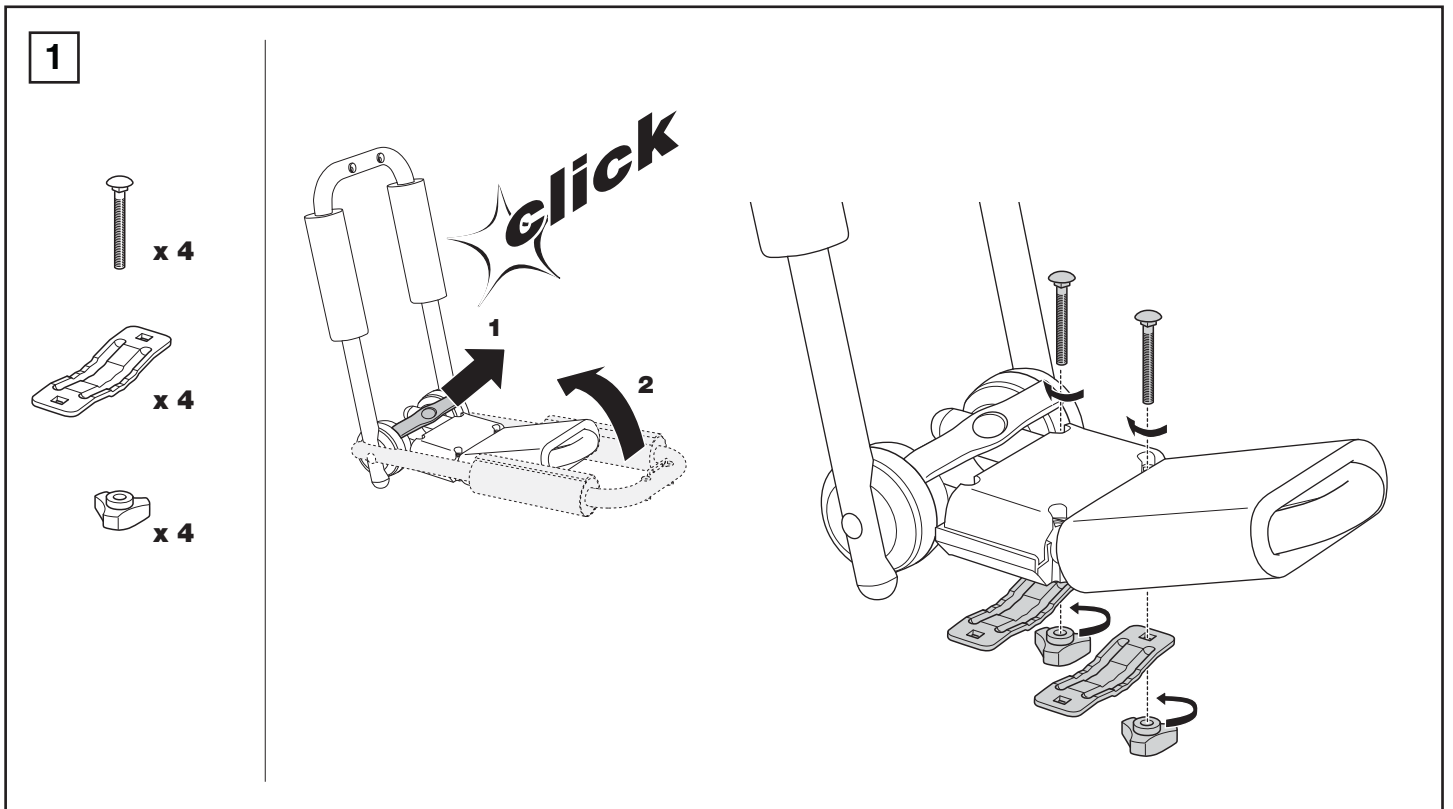
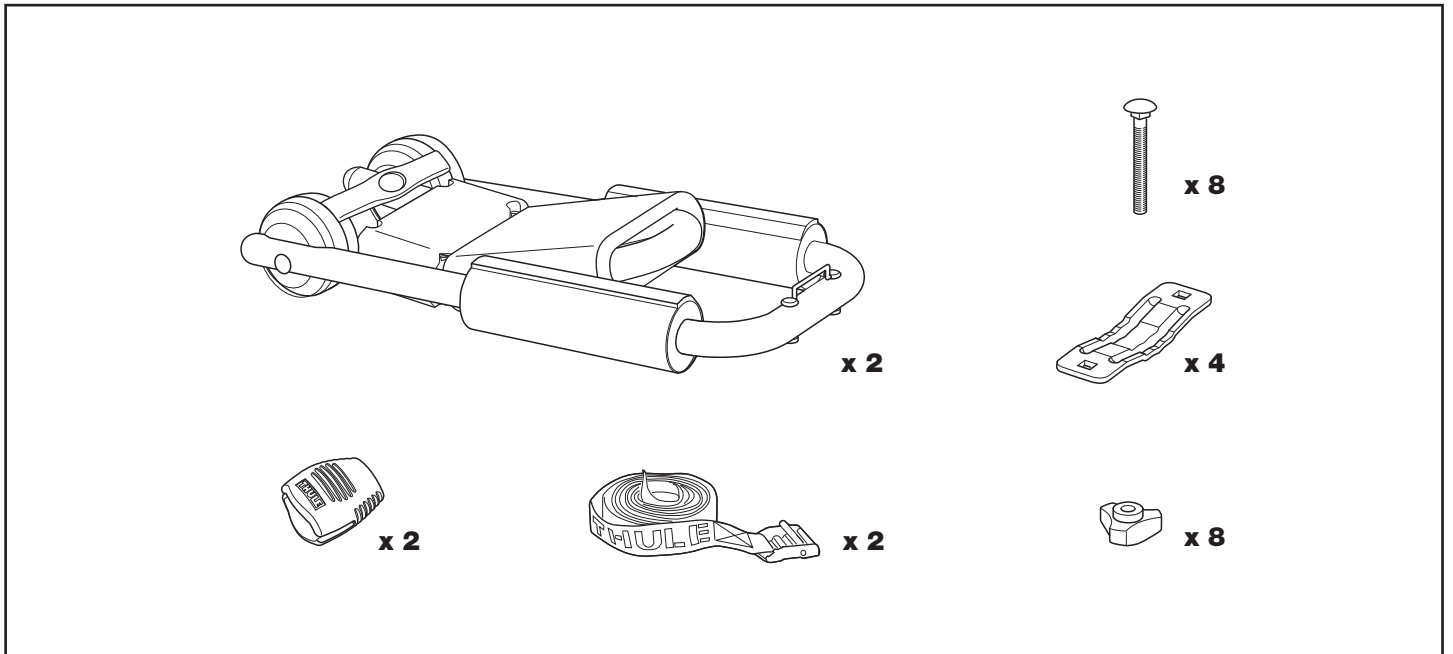
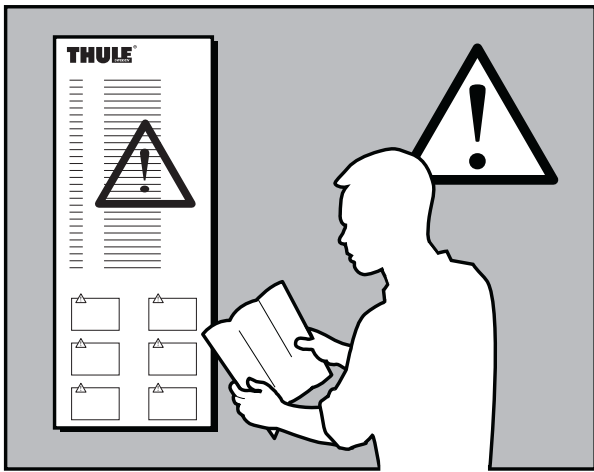


837000

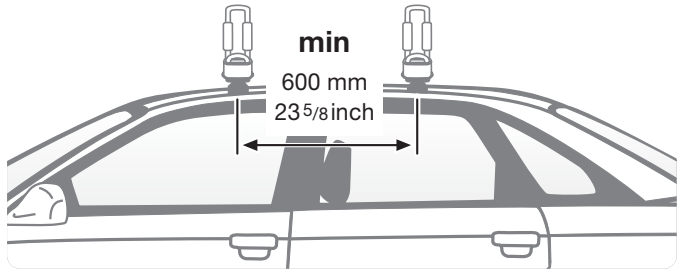
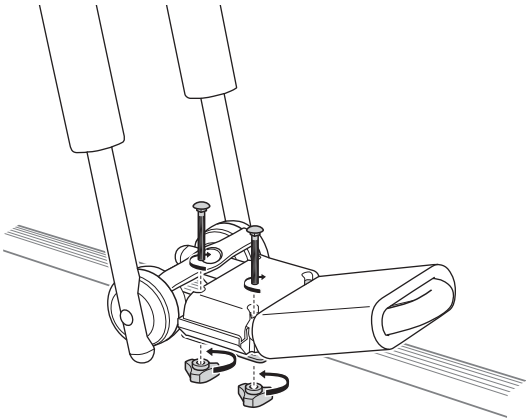
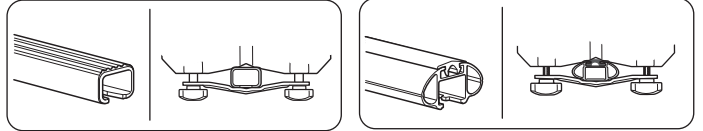


CITY CRASH

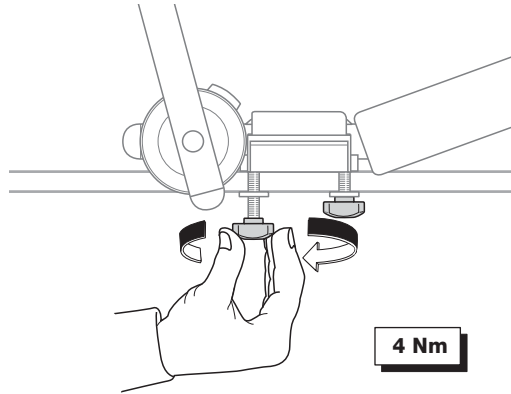
**THULE**<sup>®</sup>  
SWEDEN



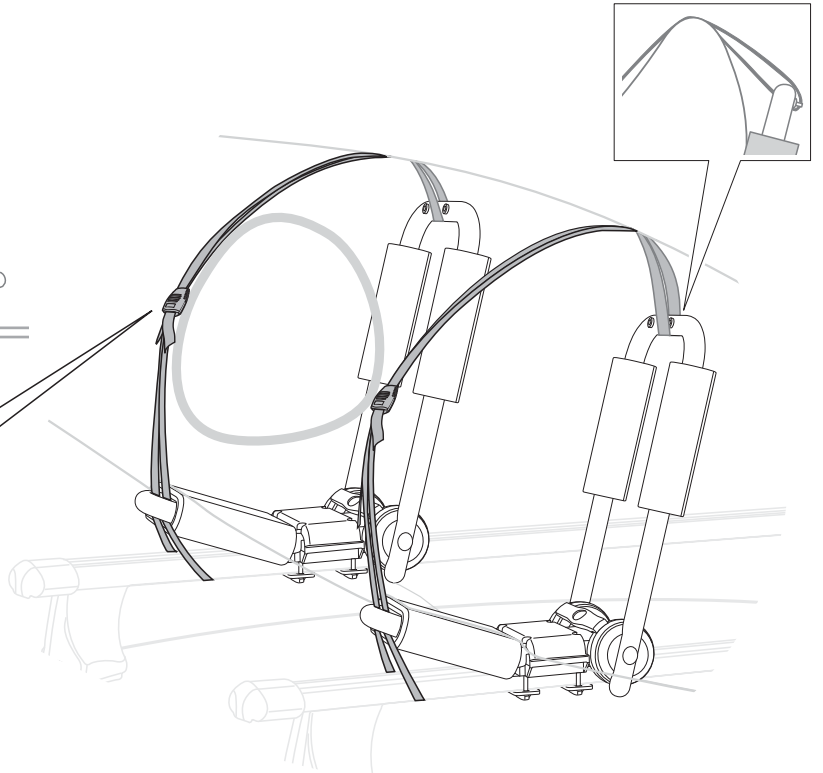
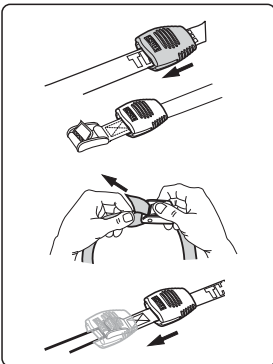
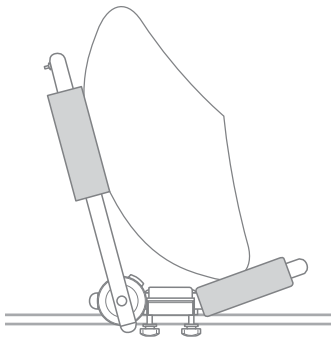
2

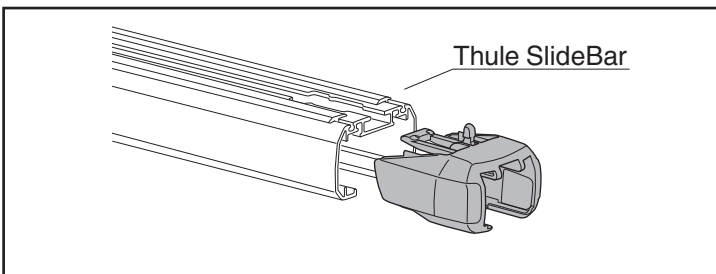
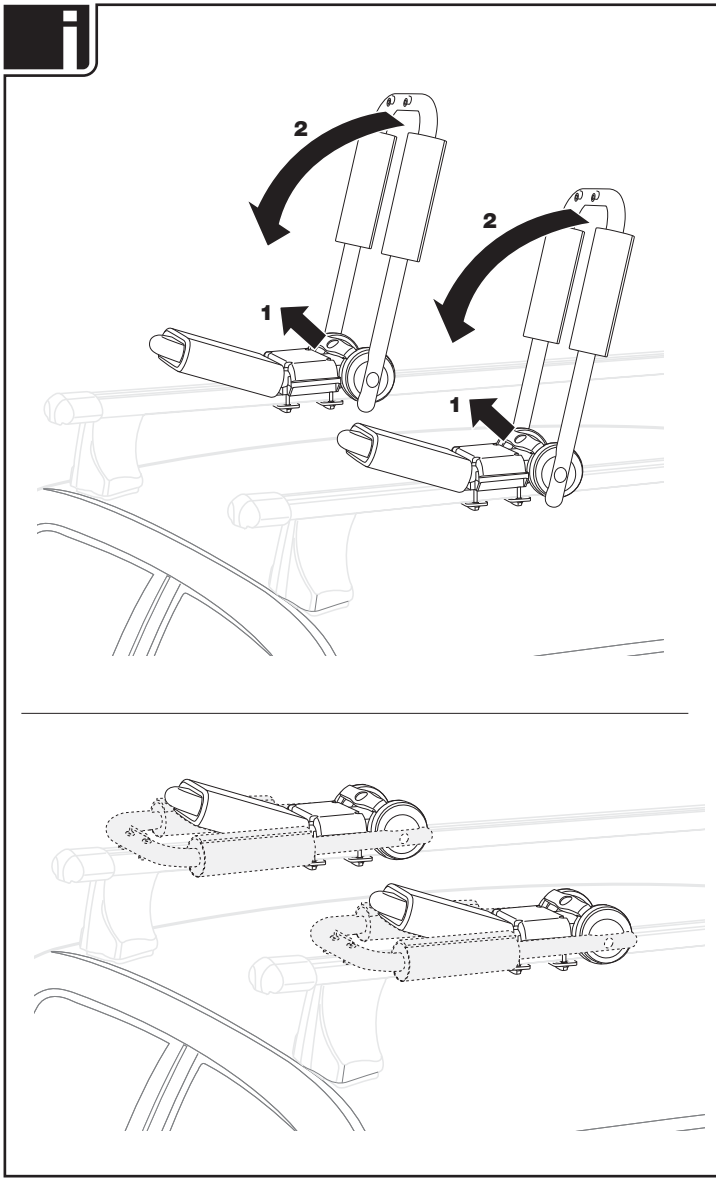


3









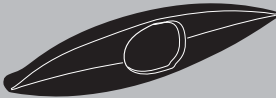

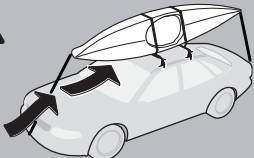
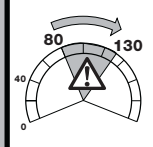

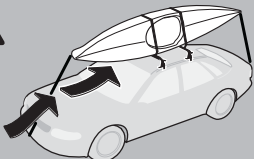

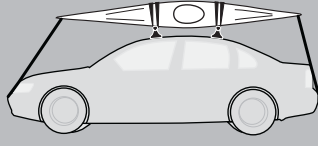
4










**886**      **Adp for Thule SlideBar**

 x 4       x 4  
 x 2  
 x 8       x 4

 = **4,9 kg**
 = **Max. 45 kg**
  
  **130 km/h**
  **THULE Quickdraw 838**

**THULE SWEDEN**

**ONE KEY SYSTEM**

 544  (x4)  
 596  (x6)  
 588  (x8)  
 452  (x12)

