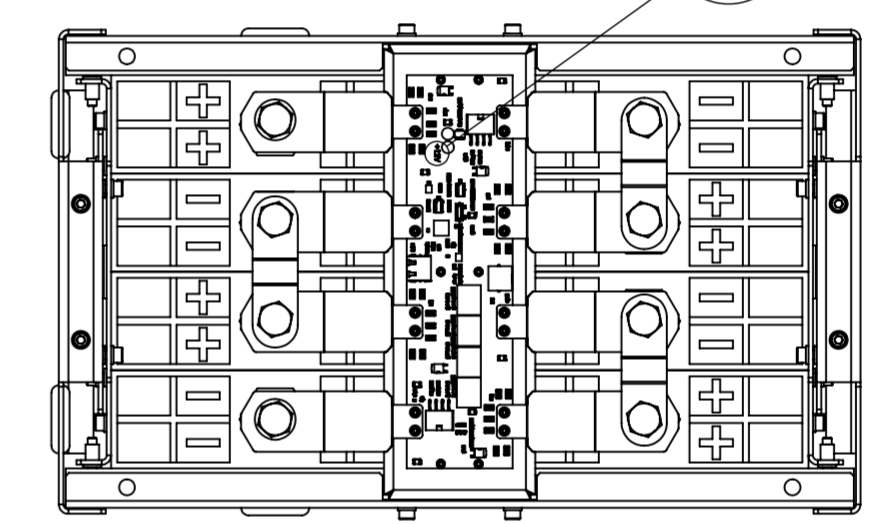


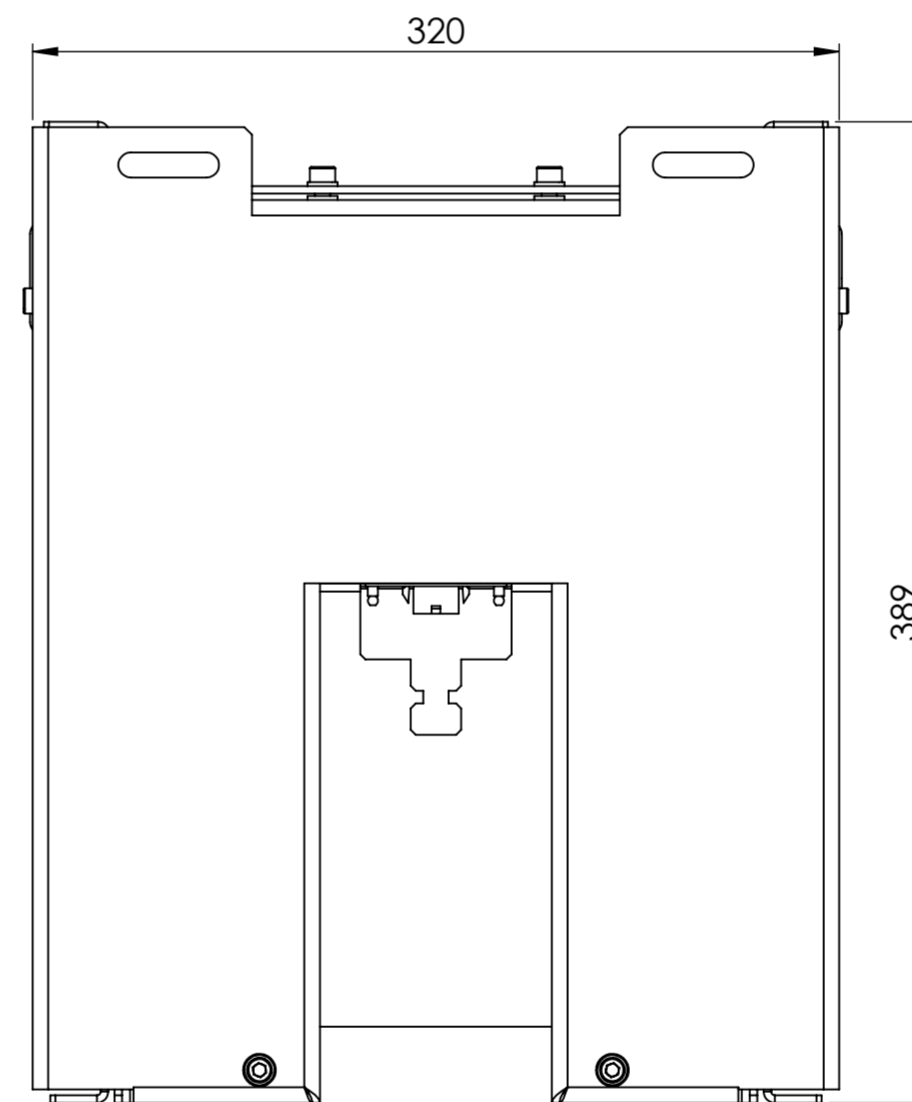
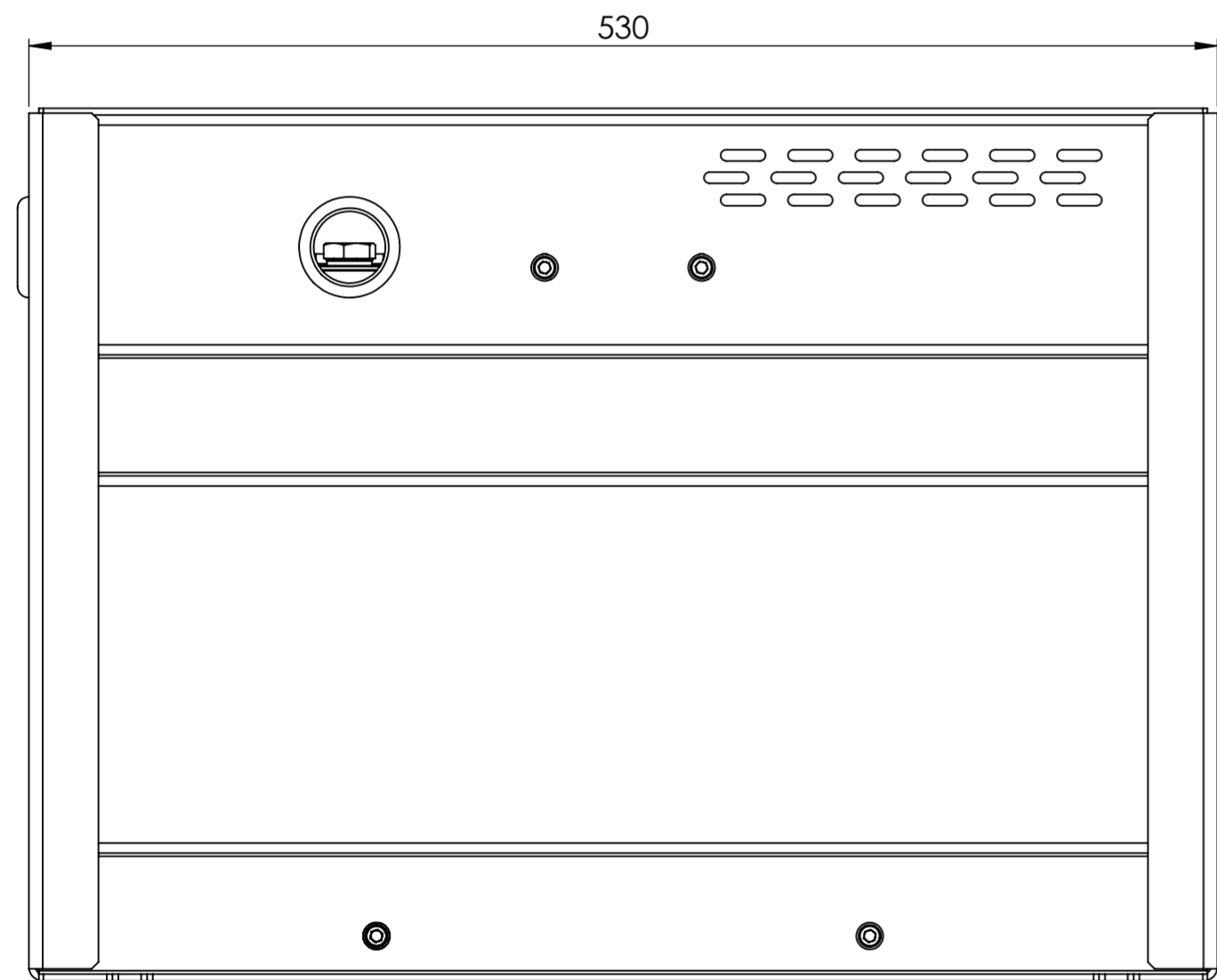
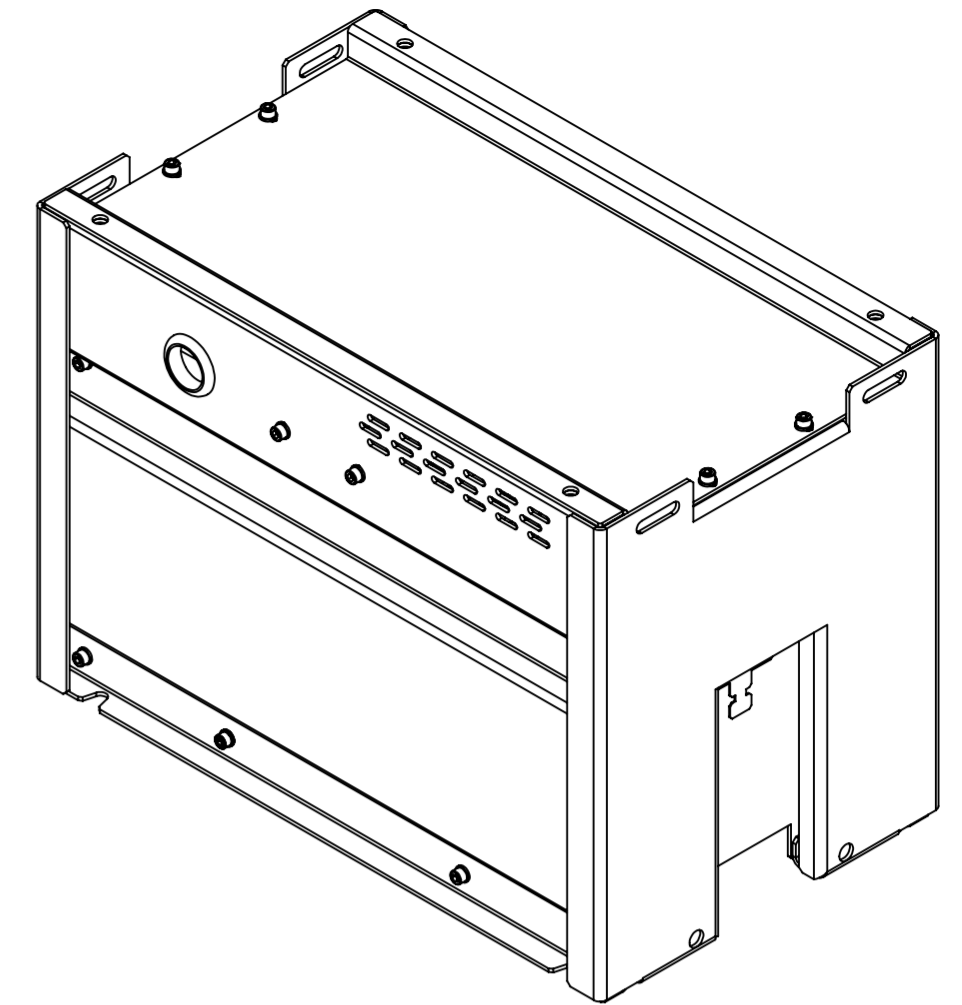
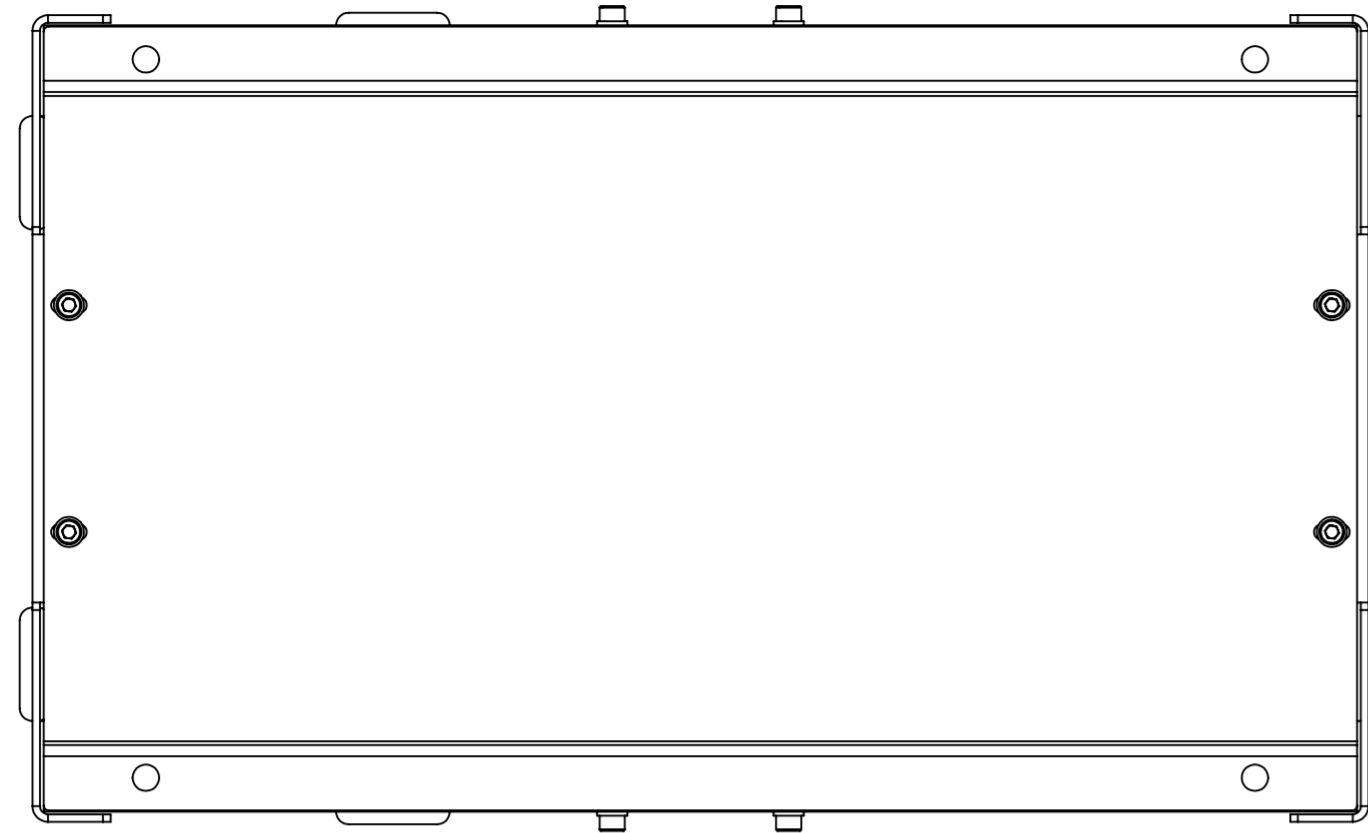
scale 1:5  
+12V  
DETAIL A  
SCALE 1:1




21	2	Alarm Cable Assembly	6014A131429	NOT_REQUIRED
20	16	D125-1A ST ZPL FLATW SP M3	7001P11238	50211401
19	1	Top Cover	6014P131348	40290192
18	8	Washer M14 ISO 7089	Washer M14 ISO 7089	50211420
17	8	Spring lock washer DIN 6905 - 11	M14 Springwasher	50211458
16	8	ISO 4014 - M14 x 20-N	ISO 4014 - M14 x 20-N	50211719
15	16	Hexagon socket head cap screw ISO 4762 - M3 x 10	socket head cap screw 4762_din	50211239
14	16		spring lock washer 2_din	NOT_REQUIRED
13	33	Binnenzesk bout A2 M6 x 25	50211206 Binnenzesk bout A2 M6 x 25	50211206
12	33	ONDERLEGRING VZ M6	50211404 ONDERLEGRING VZ M6	50211404
11	8	Li-ion cells Busbar 400 Ah / 700 Ah	6014P121060	NOT_REQUIRED
10	3	Hi Power Cells Busbar	6014P131159	NOT_REQUIRED
9	4	Doorvoertule 38 x 32 x 2	50209042 Doorvoertule 38 x 32 x 2	50209042
8	1	PCB + Support Assy	6014A131339	40290191
7	1	Endcover Assy-Left Version	6014A131342	40290187
6	1	400Ah Endcover Assy-Right Version	6014A131344	40290188
5	2	400Ah Endpanel- assy	6014A131351	NOT_REQUIRED
4	1	400 Ah-Backside panel	6014P131350	40290194
3	1	400 Ah-Frontside panel	6014P131349	40290193
2	4	Accu-cel 400 AH	ION Power 3.2V/400Ah	40290054
1	1	Bottom-400 Ah Assy	6014a131346	40290189

ITEM NO.	QTY.	DESCRIPTION	DRAWING	ARTICLE No.
UNLESS OTHERWISE SPECIFIED:		TOLERANCE PRINCIPLE ISO 8015	FINISH:	DO NOT SCALE DRAWING
CHAMFER SHARP EDGES		PROJECTION : THIRD ANGLE	Material:	SHEET FORMAT:
GENERAL TOLERANCE NEN-ISO 2768		UNITS : mm		A2
FORM AND PLACE TOLERANCES NEN-ISO 1101				TITLE:
WELDING SYMBOL NEN EN 22553				Batteries 400Ah cabinet
ROUGHNESS ACC. to NEN3634				ARTICLE NO. <b>40290190</b>
DRAWN	J.K.	SIGNATURE	DATE	STATUS: Released
CHKD	M.B.		09-12-2013	DRAWING: 6014A131338
PRINTED			23-1-2014	Weight: 65506.67 gram
			SCALE:1:5	REVISION
			SHEET 1 OF 2	





UNLESS OTHERWISE SPECIFIED: CHAMFER SHARP EDGES GENERAL TOLERANCE NEN-ISO 2768 FORM AND PLACE TOLERANCES NEN-ISO 1101 WELDING SYMBOL NEN EN 22553 ROUGHNESS ACC. to NEN3634		TOLERANCE PRINCIPLE ISO 8015		FINISH:		DO NOT SCALE DRAWING		
PROJECTION : THIRD ANGLE UNITS : mm		Material:		SHEET FORMAT: <b>A2</b>		TITLE: <b>Batteries 400Ah cabinet</b>		
DRAWN	J.K.	SIGNATURE	DATE	STATUS: <b>Released</b>		ARTICLE NO. <b>40290190</b>		REVISION
CHKD	M.B.		09-12-2013	DRAWING:		SCALE:1:3		
PRINTED			23-1-2014	6014A131338		SHEET 2 OF 2		
				Weight: 65506.67 gram				