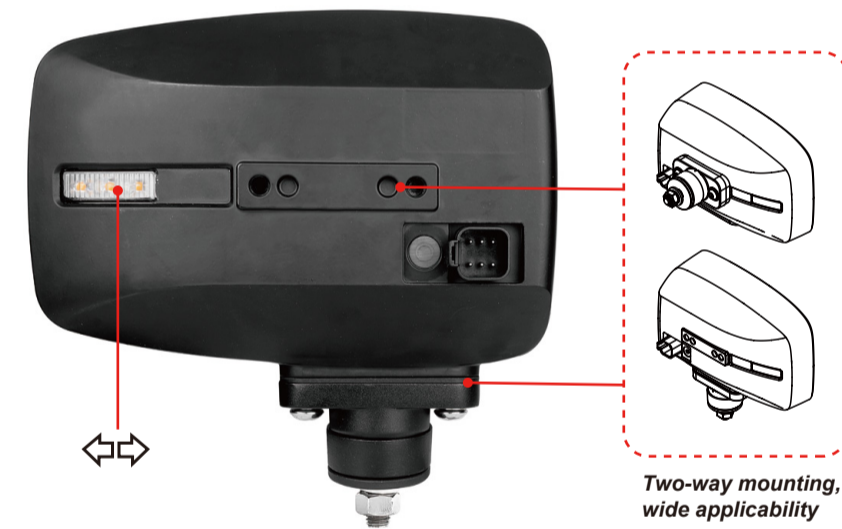
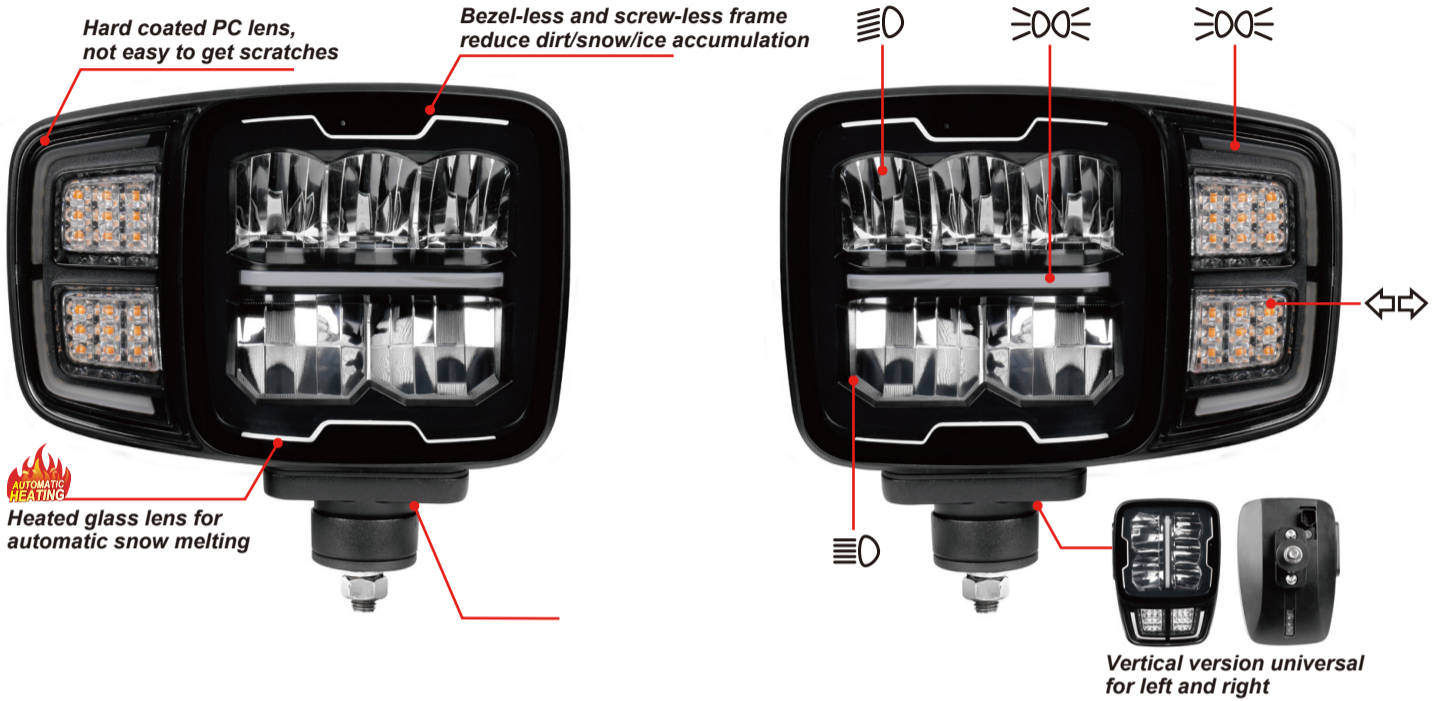


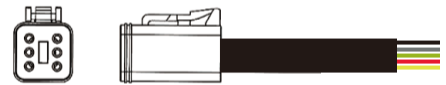
# BEZEL-LESS SNOW PLOW LED HEAD LIGHT WITH SELF-HEATING GLASS LENS

## — HML-10050HE

**EMARK**

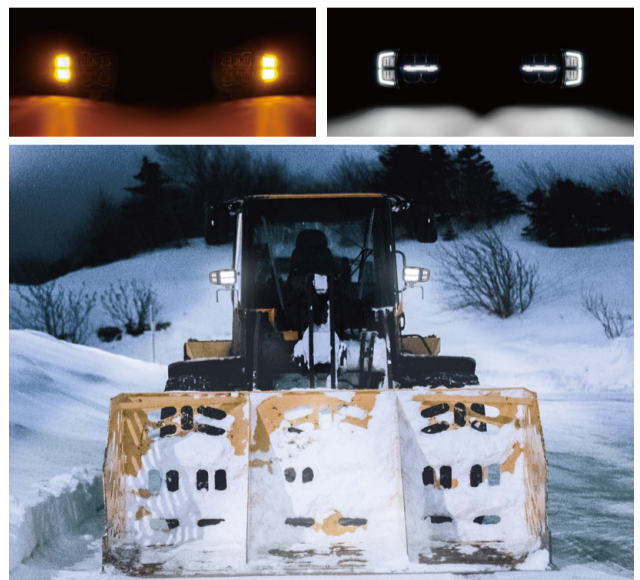
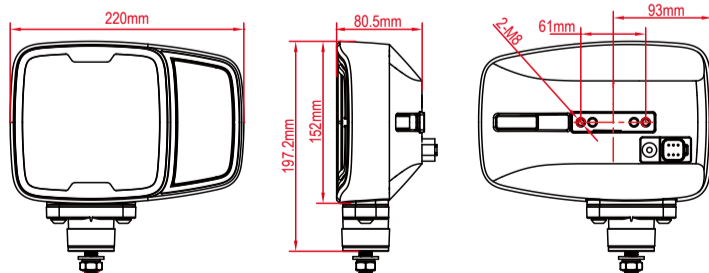


Functions	Certificate
Low Beam	R149
High Beam	R149
Position light	R148
Turn Signal Light	R148



- Black : Public Negative Pole
- Red : High Beam +
- Yellow : Low Beam +
- Green : Indicator +
- Grey : Park Light +

- ◆ EMARK certification.
- ◆ Integrated with high/low beam, position and turn signal light.
- ◆ Bottom mounting and rear mounting are optional.
- ◆ With the heating function, perfect for snow plows, pickups, SUVs, ATVs, heavy duty and engineering machinery.



Model	Optional Beam	LED Chip	Raw Power	Raw Lumen	Amp(12V/24V)	
					Heating Function Off	Heating Function On
HML-10050HE	High Beam	CREE 10W OSRAM 15W	3*10W 2*15W	3078lm	3.24/1.70	6.35/3.23
	Low Beam	OSRAM 15W	2*15W	2034lm	1.89/1.01	5.24/2.54