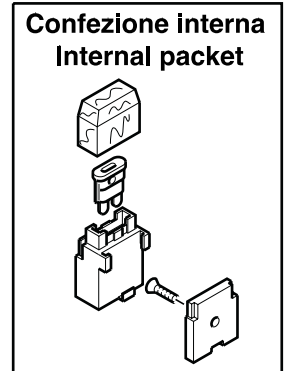
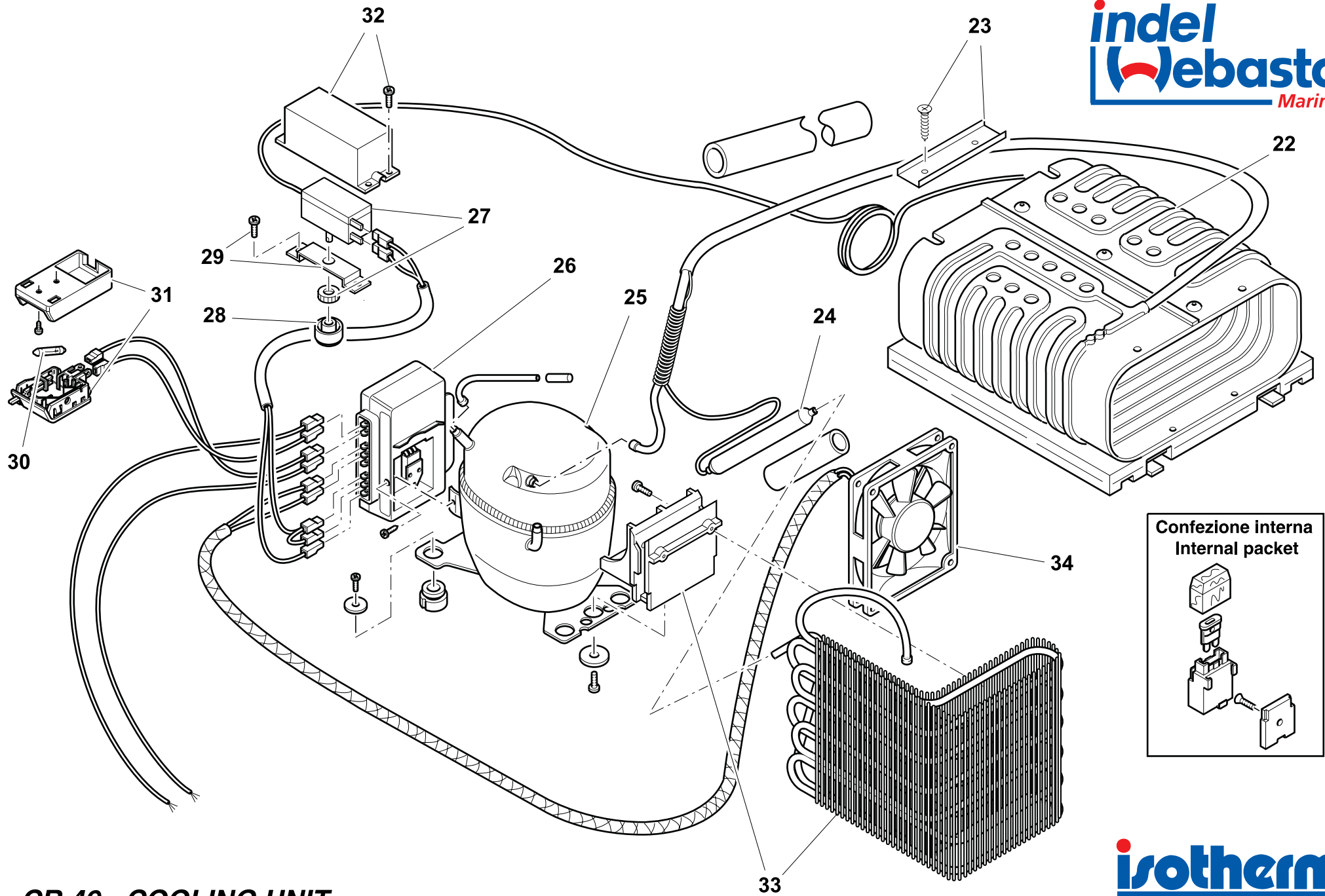


CR 49 - CABINET



CR 49 - COOLING UNIT

NUMERO NUMBER	CODICE ARTICOLO ITEM CODE	DESCRIZIONE ARTICOLO ITEM DESCRIPTION
1	SGC00022AA	CUBETTIERA ICE CUBE D021
2		
3	SGB00018AA	SUPPORTO PERNO PORTA CR42/49 VER. NERO TOP BLACK CR42/49 F094
4	SGB00002AA	FLANGIA 3-LATI CR42/49 NERA 3-SIDE FIXING FRAME CR42-49 BLACK
5	SDF00016AA	KIT FISSAGGIO EVAPORATORE PER CRUISE FIXING KIT FOR O-EVAPORATOR FOR CRUISE
6	SBF00066AA	CONTENITORE EUTET. CR42/EN EUTECTIC PLATE CR42/49/50/65EN/ASU BI40/GE100 32x21x2cm
7	SGC00021AA	PORTINA EVAPORATORE EVAPORATOR DOOR FOR CR 42/4965/85/130/GE100 D007 F096
8	SGC00019AA	PORTASGOCCIOLATOIO CR42/49/65 D001 DRIP TRAY FRAME CR42/49/65 D001
9		
10		
11	SDF00010AA	PIEDINI CRUISE RUBBER FOOT CRUISE/TB26 E073
12	SGC00046AB	GRIGLIA INTERNA CR49 1.5.376.2/1 INTERNAL SHELF CR49
13	SGC00020AA	SGOCCIOLATOIO CR42/49/65 D002 DRIP TRAY CR42/49/65 D002
14	SGC00100AA	BALCONCINO INFERIORE CR42/49 K093 DOWN RETAINER CR42/49 K093
15	SGC00101AA	FILONCINO METALLO PER BALCONCINO CR42/49 METAL RETAINER CR42-49 K094
16	SGC00013AA	PORTA CR42/49 F059 DOOR FOR CR42/49 F059
17	SGA00007AA	PANNELLO PORTA CR42/49 GRIGIO STANDARD DOORFRONT CR42/49 GREY STANDARD
18	SGD00008AA	KIT MANIGLIA DOOR KIT HANDLE CRUISE TP39212
19	SGC00079AA	BALCONCINO SUPERIORE CR42/49 K080 UP RETAINER FOR CR42/49 K080
20	SBE00022AA	PERNO PORTA CRUISE F065 PIVOT CRUISE F065
21	SGC00057AA	PROFILO FISS. PANNELLO CR42-49 F061 PROFILE FOR FIXING PANEL CR42-CR49 F061
22	SBF00010AA	EVAPORATORE CR49/65L G153 O-EVAPORATOR CR49/65 G153
22	SBF00040AA	EVAPORATORE CR49/65L EN/ASU O-EVAPORATOR CR49/65 EN-ASU
23	SEA00021AA	STAFFA FISSAGGIO TERMOSTATO THERMOSTAT PROBE ALUMINIUM FIXING BRACKET C009
24	SBD00073AA	FILTRO 10g PER CR FILTER 10Gr FOR R134a B041 TUBE 6+2mm (CRUISE/DANFOSS)
25	SBA00002DA	COMPRESSORE DANFOSS BD35F DANFOSS COMPRESSOR BD35F 12/24V NO ELECTRICAL UNIT TP39301
26	SEG00002DA	CENTRALINA DANFOSS BD35/50F 12/24V ELECTRICAL UNIT DANF. 101N0210 BD35/50F 12/24V TP39310
26	SEG00030GA	CENTRALINA DANFOSS BD35/50F AC/DC 12/24V DC 110/220V AC ELECT. UNIT DANFOSS BD35F/50FAC/DC 12/24V-115/230V
27	SEA00031DA	TERMOSTATO CR42/49/50/65/85/100/120/130/TB26/BI41 THERMOSTAT CR42/49/50/65/85/100/120/130/BI41/TB26/DF1/G112
28	SEA00024AA	MANOPOLA TERMOSTATO CR49/50/65 G033 THERMOSTAT KNOB FOR CR49/65 G033
29		
30	SEC00005CA	LAMPADA A SILURO 24V-3W G115 LIGHT BULB 24V-3W G115
30	SEC00007BA	LAMPADA A SILURO 12V-3W G114 LIGHT BULB 12V-3W G114
31	SEC00003DA	PLAFONIERA COMPLETA 12/24V TP10014 INTERNAL LIGHT KIT 12-24V TP10014
32	SEA00015AA	SCATOLA PVC NERA TERMOSTATO E188 PLASTIC HOUSE THERMOSTATE BLACK E188
33	SBD00028AA	CONDENSATORE A FILO AIR CONDENSER PIN TYPE WITH BRACKET (G251+G267) TP29014
34	SBG00005BA	VENTOLA CABLATA 12V LOW SPEED FAN 12V LOW SPEED FOR COMPACT AND CRUISE TP39236
35	SFR00039AA	KIT PORTA-FUSIBILE 15A

