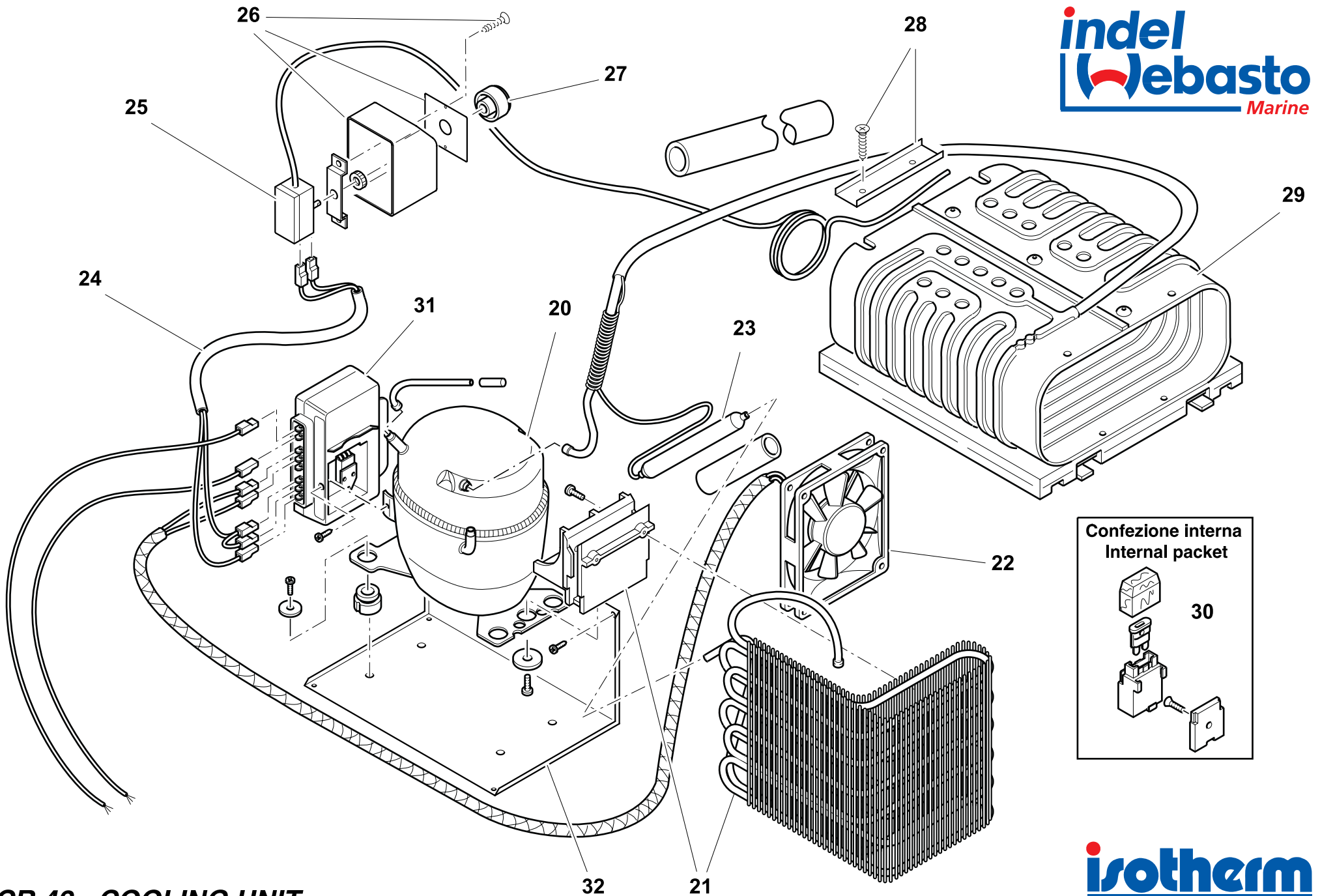


**CR 42 - CABINET**



**CR 42 - COOLING UNIT**

<b>NUMERO</b> <b>NUMBER</b>	<b>CODICE ARTICOLO</b> <b>ITEM CODE</b>	<b>DESCRIZIONE ARTICOLO</b> <b>ITEM DESCRIPTION</b>
1	SAA00047AA	BAULETTO CR42 SENZA PORTA CABINET CR42 WITHOUT DOOR
2	SGC00022AA	CUBETTIERA ICE CUBE
3	SGB00018AA	SUPPORTO PERNO PORTA CR42/49 VER. NERO TOP BLACK CR42/49
4	SDF00016AA	KIT FISSAGGIO EVAPORATORE PER CRUISE FIXING KIT FOR O-EVAPORATOR FOR CRUISE
5	SBF00066AA	CONTENITORE EUTET. CR42/EN EUTECTIC PLATE CR42/49/50/65EN/ASU BI40/GE100 32x21x2cm
6	SGC00021AA	PORTINA EVAPORATORE EVAPORATOR DOOR FOR CR 42/4965/85/130/GE100 D007
7	SGC00020AA	SGOCCIOLATOIO CR42/49/65 DRIP TRAY CR42/49/65
8	SGC00019AA	PORTASGOCCIOLATOIO CR42/49/65 DRIP TRAY FRAME CR42/49/65
9	SGC00007AB	GRIGLIA INTERNA CR42 CON CANCELLETTO INTERNAL SHELF FOR CR42 NEW TYPE
10	SBE00021AA	CERNIERA INOX CR42/50/65/80/120L HINGE INOX FOR CR42-50-65-80-120L
11	SGB00036AA	SOSTEGNO INOX CONTROPORTA CR42/50/65/80/120L INOX SUPPORT FOR CRUISE DOOR CR42/50/65/80/120L
12	SDF00010AA	PIEDINI CRUISE RUBBER FOOT CRUISE/TB26
13	SBE00022AA	PERNO PORTA CRUISE PIVOT CRUISE
14	SGC00079AA	BALCONCINO SUPERIORE CR42/49 UP RETAINER FOR CR42/49
15	SGD00008AA	KIT MANIGLIA DOOR KIT HANDLE CRUISE
16	SGA00007AA	PANNELLO PORTA CR42/49 GRIGIO STANDARD DOORFRONT CR42/49 GREY STANDARD
17	SGC00057AA	PROFILO FISS. PANNELLO CR42-49 PROFILE FOR FIXING PANEL CR42-CR49
18	SGC00100AA	BALCONCINO INFERIORE CR42/49 DOWN RETAINER CR42/49
18	SGC00101AA	FILONCINO METALLO PER BALCONCINO CR42/49 METAL RETAINER CR42-49
19	SGC00013AA	PORTA CR42/49 DOOR FOR CR42/49
20	SBA00002DA	COMPRESSORE DANFOSS BD35F DANFOSS COMPRESSOR BD35F 12/24V NO ELECTRICAL UNIT
21	SBD00028AA	CONDENSATORE A FILO AIR CONDENSER PIN TYPE WITH BRACKET
22	SBG00005BA	VENTOLA CABLATA 12V LOW SPEED FAN 12V LOW SPEED FOR COMPACT AND CRUISE
23	SBD00073AA	FILTRO 10g PER CR FILTER 10Gr FOR R134a
24	SEB00001AB	CAVO COLL. CENTR. TERMOSTATO LOW SPEED THERMOSTAT CABLE LOW SPEED
25	SEA00020DA	TERMOSTATO CR42/BI40/TR825/COMPACT O-EVAP. C008 THERMOSTAT CR42/BI40/TR825/COMPACT WITH O-EVAP. C008
26	SEA00023AA	SCATOLA TERMOSTATO QUADRATA PS BEIGE BOX PVC FOR THERMOSTATE
27	SEA00002AA	MANOPOLA TERMOSTATO CR42/TB26/BI41/COMPACT THERMOSTAT KNOB FOR CR42/TB26/BI41/CLASSIC COMPACT
28	SEA00021AA	STAFFA FISSAGGIO TERMOSTATO THERMOSTAT PROBE ALUMINIUM FIXING BRACKET
29	SBF00060AA	EVAPORATORE CR42/GE100 VENTILATO O-SMALL EVAPORATOR FOR CR42/GE100
30	SEB00039AA	KIT PORTA-FUSIBILE 15A FUSE-KIT 15A
31	SEG00002DA	CENTRALINA DANFOSS BD35F ELECT. UNIT DANFOSS BD35/50F
31	SEG00030GA	CENTRALINA DANFOSS BD35/50F AC/DC 12/24V 110/220V ELECT. UNIT DANFOSS BD35/50F AC/DC 12/24V 110-220V