

19D
4013

Skoda Kodiaq, Md. 03/2017

EU-Personenschutzbügel 60 mm mit Querrohr 42 mm
EU-Pedestrian Protection Bar 60 mm with cross pipe 42mm
Protection avant, homologuée CEE, 60 mm, traverse 42mm

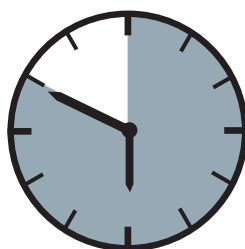


*Compatible with Automatic Cruise Control /Forward Collision Mitigation
Kompatibel mit Abstandsregeltempomat /Auffahrvermeidungs-oder warnsystem
compatible avec radar de régulation de distance/ freinage autonome d'urgence



ASSEMBLY INSTRUCTION

Montageanleitung • Instructions de montage

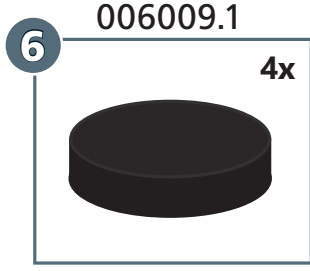
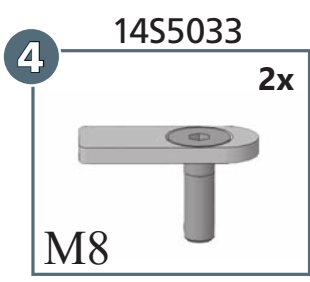
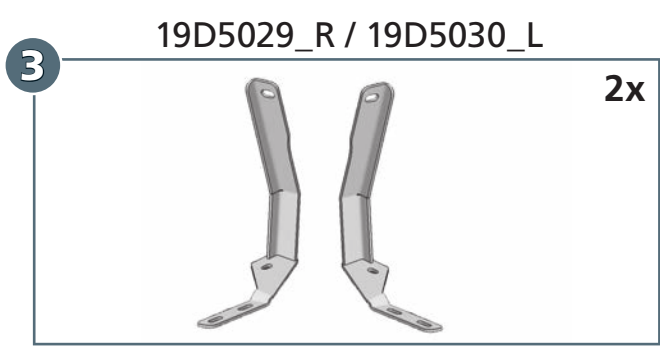
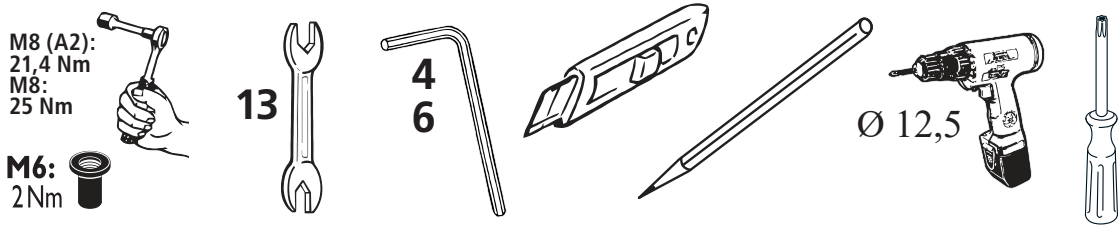


50 Minuten

article no.:
19D4013 (S) inox
19D5013 black steel

Revision 2: 28.11.2017





mounting kit: 19D9013

| | | |
|--|-------------------------------|----|
| | M6x25; DIN 7991 Zn | 4x |
| | M8x25; DIN 912 A2 | 4x |
| | M8x25; DIN 933 A2 | 2x |
| | Ø 3,5x13 (DIN ähnl.7981 B) A2 | 2x |
| | M6; DIN 439 A2 | 2x |
| | M8; DIN 934 Zn | 2x |
| | Ø 8; DIN 127 A2 | 6x |
| | Ø 8; DIN 127 Zn | 2x |
| | Ø 4,2; DIN 9021 A2 | 2x |
| | Ø 8,4; DIN 125 A2 | 4x |
| | Ø 8,4; DIN 9021 A2 | 2x |
| | Ø 8,4; DIN 9021 Zn | 2x |
| | Getowell M6 | 4x |
| | GP-DZ-015x010-M6x50 NR55-V2A | 2x |
| | SW 13 | 2x |

article no.:
19D4013 (S) inox
19D5013 black steel

Revision 2: 28.11.2017



