

16T
4151

Ford Transit Custom (L2), Md. 2013 Ford Tourneo Custom (L2), Md. 2013

Flankenschutzrohr 90 x 45 mm oval mit Noppen

Oval side bar 90 x 45 mm with dots

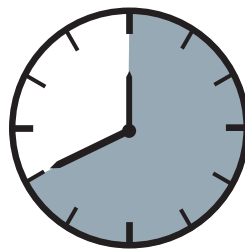
Barre latérale ovale 90 x 45 mm avec des points

(Radstand 3300 mm / Wheel base 3300 mm / Empattement 3300 mm)



ASSEMBLY INSTRUCTION

Montageanleitung • Instructions de montage



40 Minuten

Artikel-Nr:

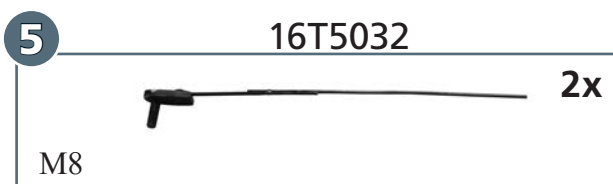
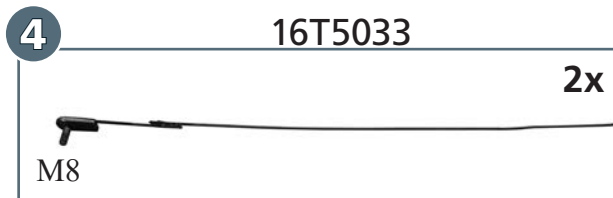
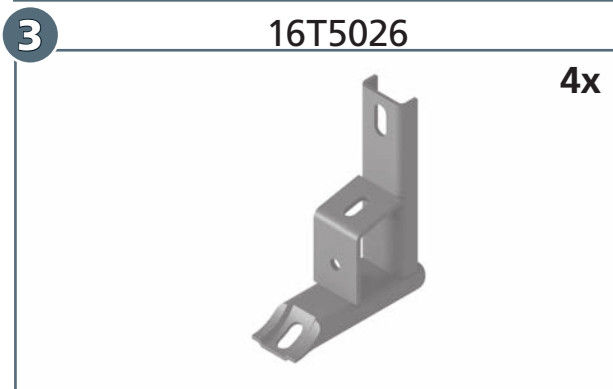
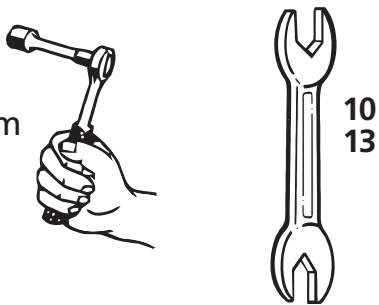
16T4151 Stainless Steel

16T5151 Steel black

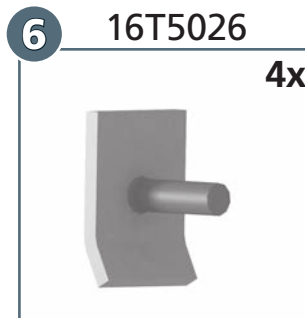
Revision 5: 24.05.2016

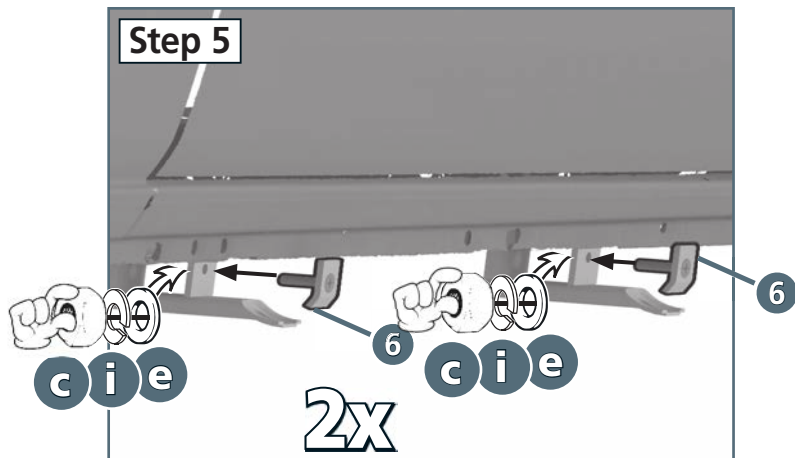
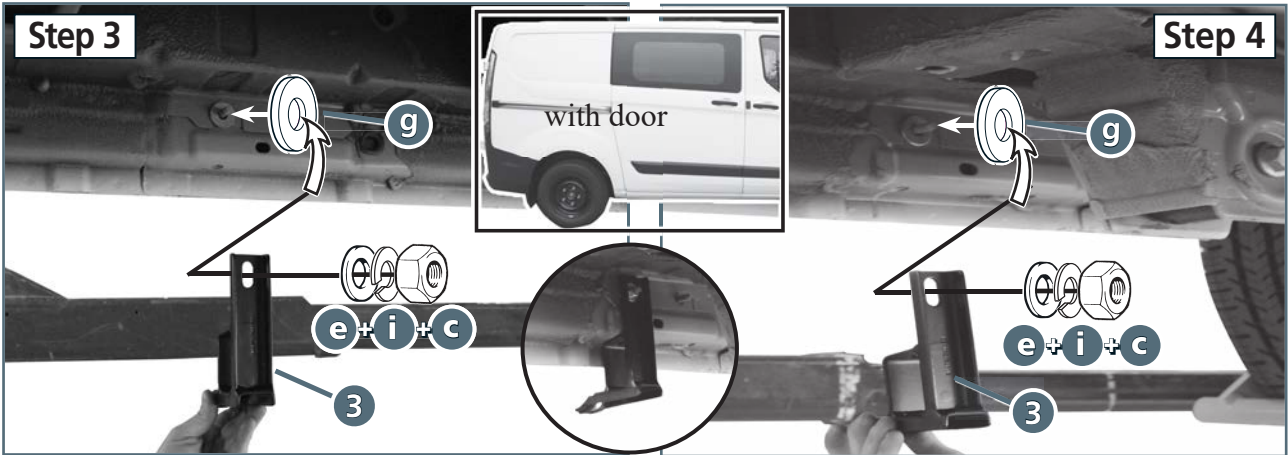
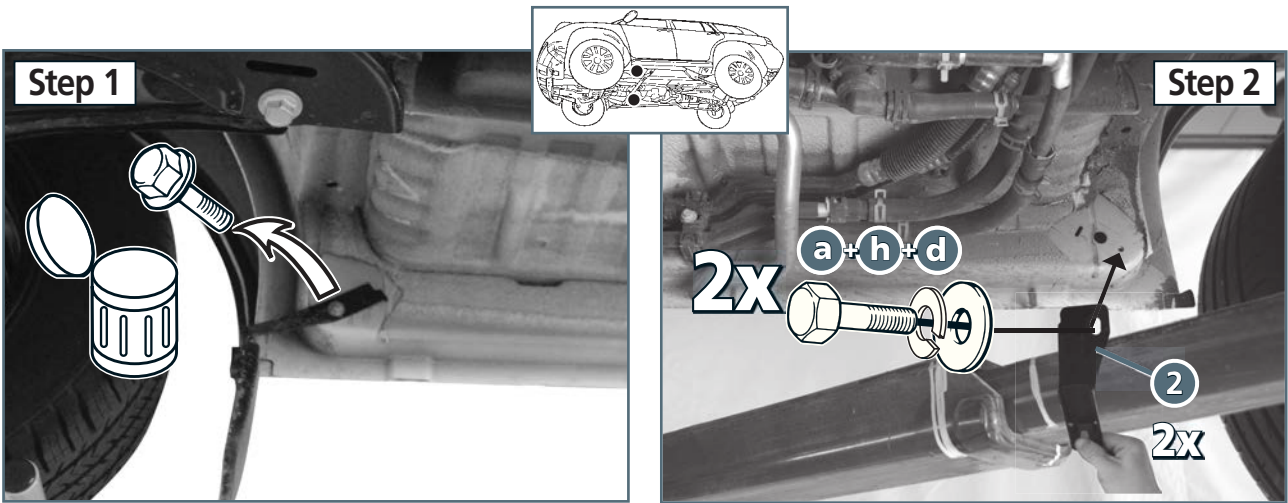


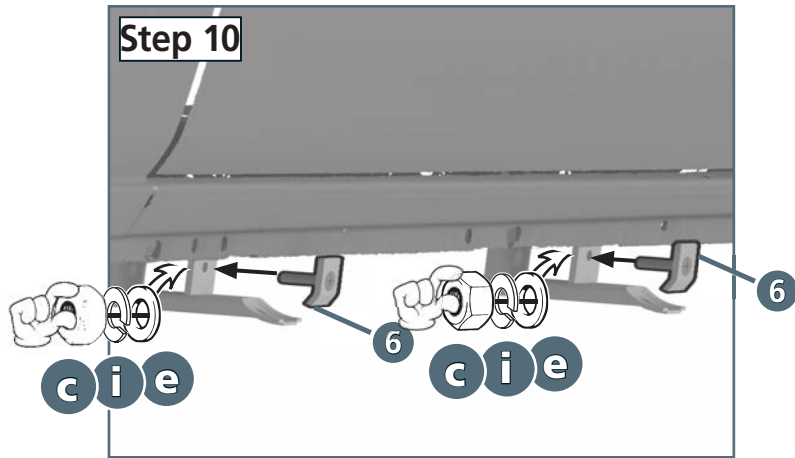
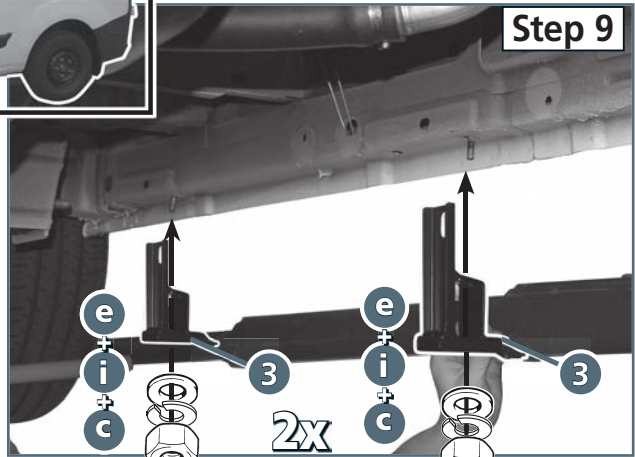
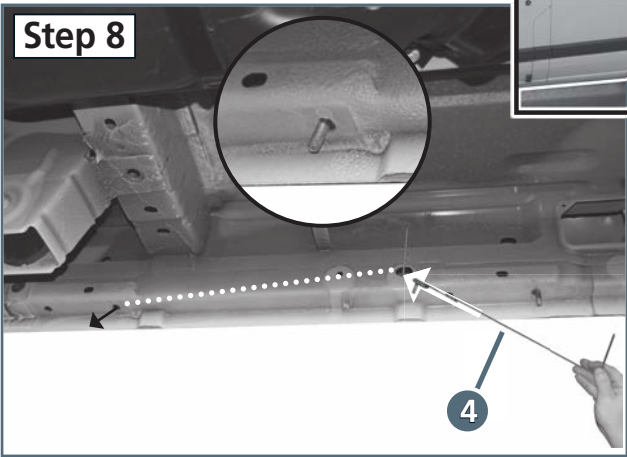
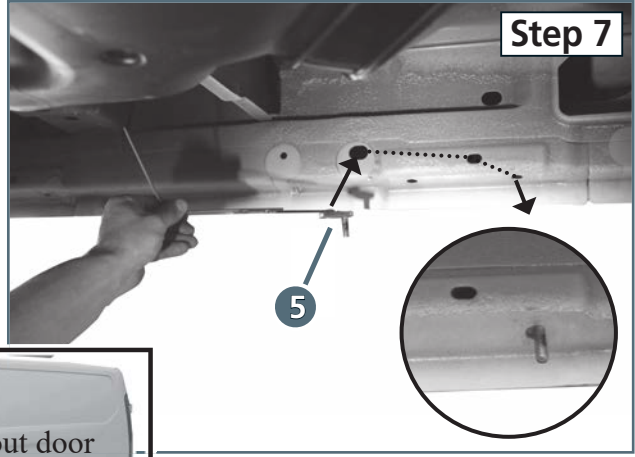
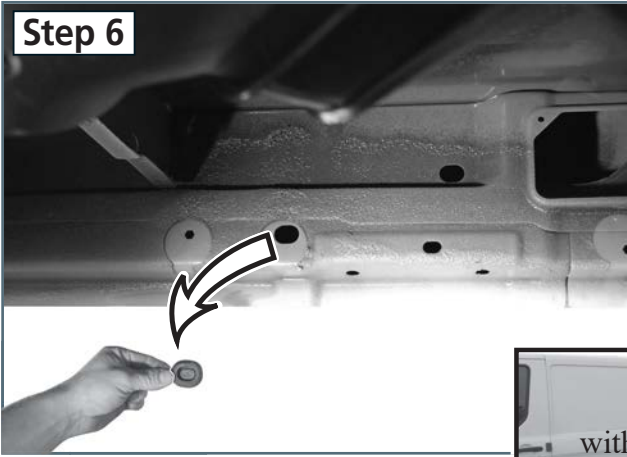
M8: 25 Nm
M8 (A2): 21,4 Nm
M6: 10 Nm



a		M6 x 25; DIN 933 Zn	2x
b		M8 x 20; DIN 933 A2	6x
c		M8; DIN 934 Zn	8x
d		Ø 6,4; DIN 9021 Zn	2x
e		Ø 8,4; DIN 9021 Zn	8x
f		Ø 8,4; DIN 9021 A2	6x
g		Ø 10,5; DIN 9021 Zn	4x
h		Ø 6; DIN 127 Zn	2x
i		Ø 8; DIN 127 Zn	8x
j		Ø 8; DIN 127 A2	6x
k		SW 13 mm	6x







Step 11

