

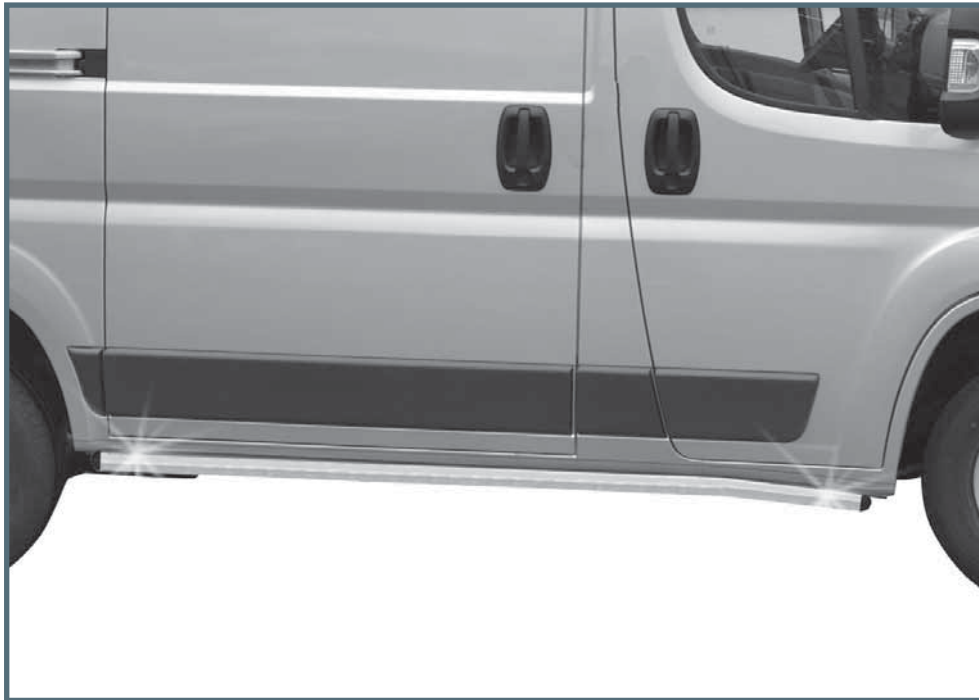
**10W
4350**

Fiat Ducato / Citroen Jumper / Peugeot Boxer Md. 2014

Side protection bar 60 (L2 - 3450 mm)

Flankenschutzrohr 60 (L2 - 3450 mm)

Tube de protection latérale 60 (L2 - 3450 mm)



ASSEMBLY INSTRUCTION

Montageanleitung • Instructions de montage



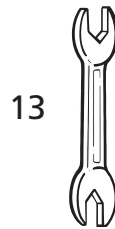
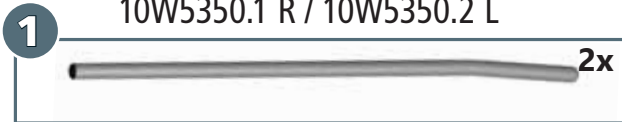
45 Minuten

Artikel-Nr:
10W4350 stainless steel
10W5350 black steel

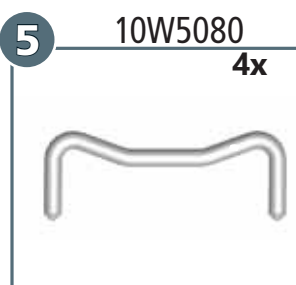
Revision 1: 19.02.2015

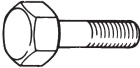








10W4350.1 R / 10W4350.2 L
10W5350.1 R / 10W5350.2 L

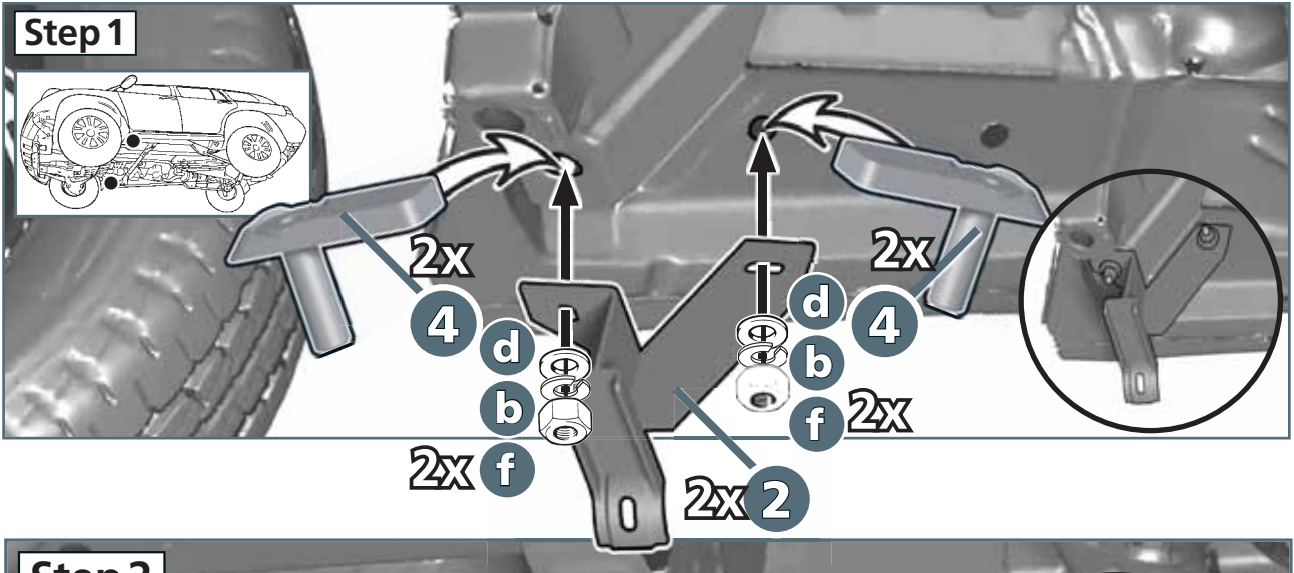
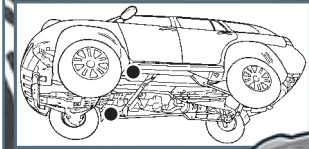


M8 (A2): 21,4 Nm
M8: 25 Nm

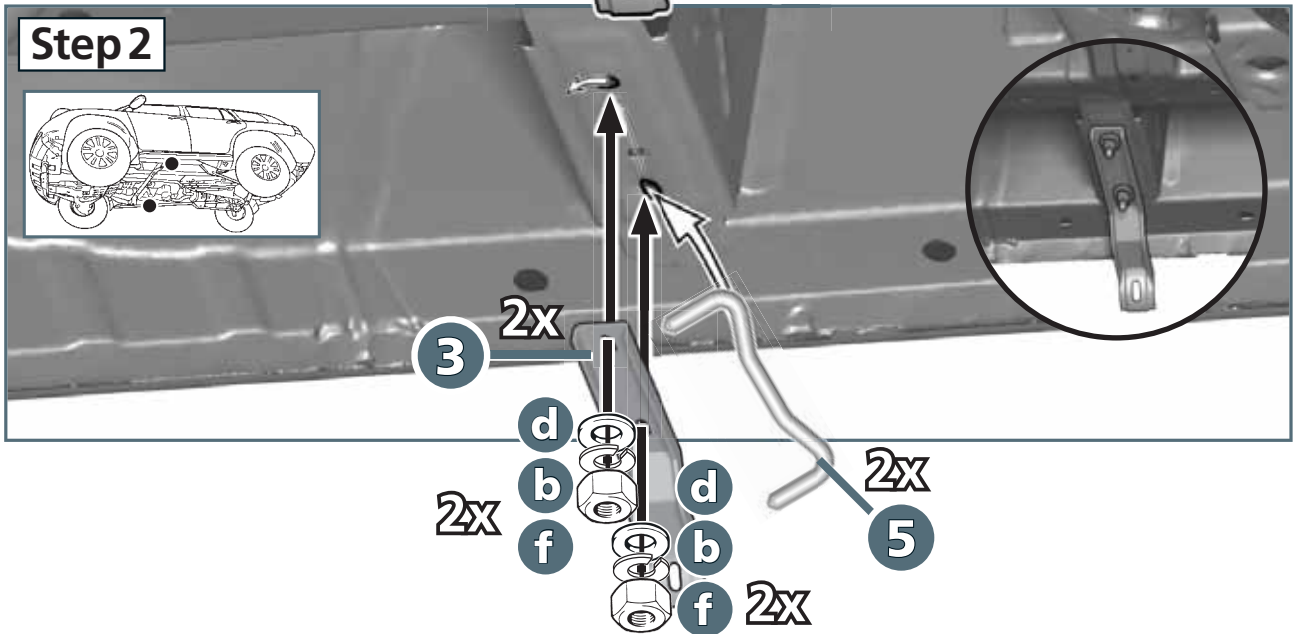
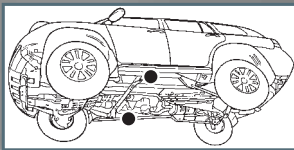


a		M8 x 25; DIN 933 A2	6x
b		Ø 8; DIN 127 Zn	12x
c		Ø 8; DIN 127 A2	6x
d		Ø 8,4; DIN 9021 Zn	12x
e		Ø 8; DIN 9021 A2	6x
f		M8; DIN 934 Zn	12x
g		SW 13	6x

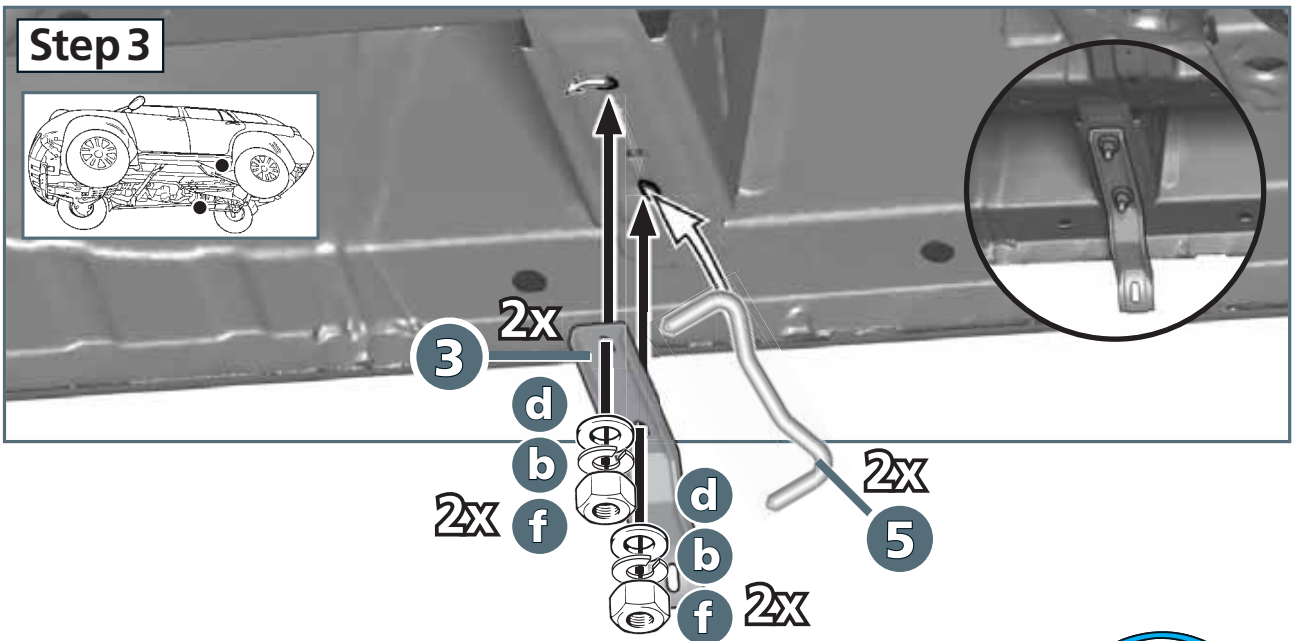
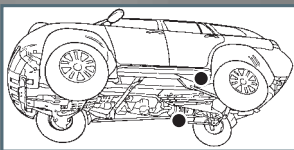
Step 1



Step 2



Step 3



Step 4

