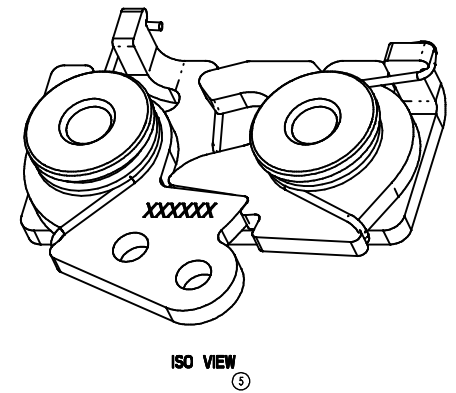
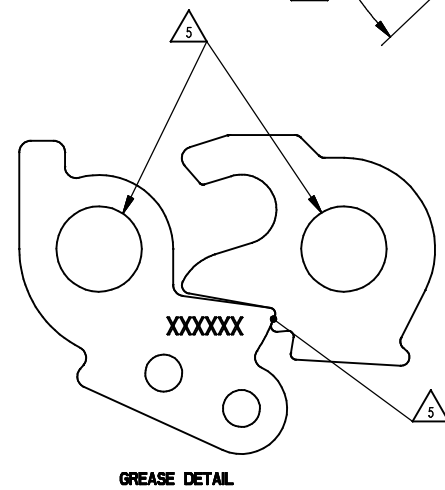
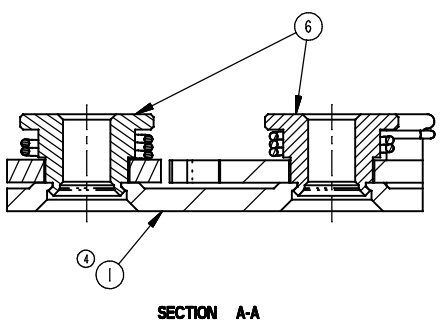
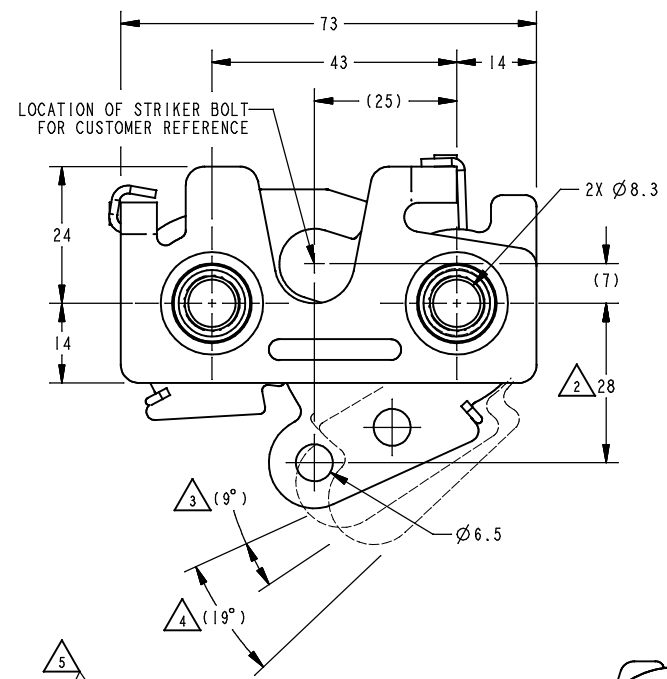
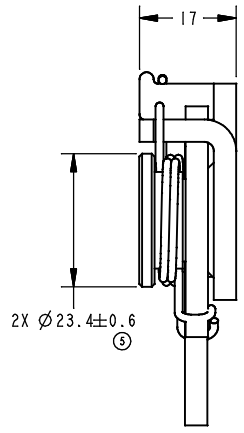
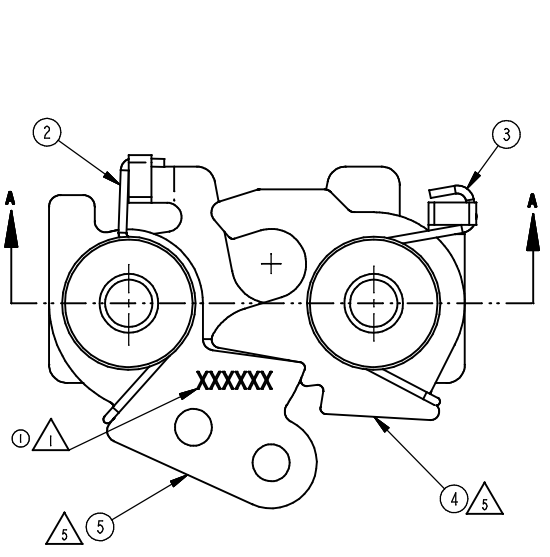


PART NUMBER	ITEM 1 PLATE (QTY)	ITEM 2 SPRING (QTY)	ITEM 3 SPRING (QTY)	ITEM 4 ROTOR (QTY)	ITEM 5 LEVER (QTY)	ITEM 6 AXLE (QTY)	PART MARKING
19244-01	19256-01 (1)	19254-01 (1)	19255-01 (1)	19284-01 (1)	19248-01 (1)	19253-01 (2)	XXX202

REVISION	ESN	DATE	DESCRIPTION
0	RLSE	DJZ 11/26/03	RELEASED FOR PRODUCTION FROM REV C
1	20386	MAD 4/22/05	XXX202 WAS 19244 XXX
2	20560	MLH 9/7/05	REVISED DISPLAY OF ROTOR (ITEM 4)
3	21877	GDE 07/29/09	UPDATED: DESCRIPTION, FORMAT. ADDED: PART MARKING COLUMN.
4	31833	GDE 09/16-10-09	UPDATED: VIEWS (ITEM 1), DESC.
5	37835	MLJ 08/14/12	2XØ 23.4±0.6 WAS 2XØ 23. ADDED: ISO VIEW.



- NOTES: UNLESS OTHERWISE SPECIFIED;
- 1 IDENTIFY ASSEMBLY WITH PART NUMBER AND DATE CODE APPROXIMATELY AS SHOWN, OR IN OTHER APPROVED LOCATIONS AS OUTLINED IN ES-121.
 - 2 RETURN POSITION.
 - 3 RELEASE POSITION.
 - 4 MAXIMUM TRAVEL.
 - 5 APPLY ALPHA 2000 GREASE (OR EQUIVALENT) TO SURFACES SHOWN AND BETWEEN CONTACT SURFACE OF TRIP LEVER (ITEM 5) AND ROTOR (ITEM 4).

TOLERANCES UNLESS OTHERWISE SPECIFIED AIDS		DRAWN BY	
ASME Y14.5M-1994		DJZ	05/16/02
INCH	MILLIMETER	CHECKED BY	BLH 05/16/02
X.X ±.1	X ±.3	PROJECT	02027
X.XX ±.03	X.X ±.08	PRODUCT CODE	E34 (050-0600)
X.XXX ±.010	X.XX ±.25	CUSTOMER	-
ANGLES		CUSTOMER PART NUMBER	-
X° ±.3°		DESCRIPTION	050-0600, LH, 2 POSN, 8MM, IPT
X.X° ±1.0°		SIZE	C
X.XX° ±.50°		SCALE	1.5
DO NOT SCALE DRAWING		PART WEIGHT	(0.17 Kg)
REF. T/M OF 4.20-2 FOR SUP. QUALITY REQ. REF. T/M OF 4.20-3 FOR INT. QUALITY REQ.		SURFACE AREA	
		PART NUMBER	19244

TriMark
 500 Bailey Avenue
 P. O. Box 350
 New Hampton, Iowa 50659 U.S.A.
 Tel: 641-394-3188
 Fax: 641-394-2392

This drawing and the information contained herein is the property of TriMark Corporation and shall not be used for any purpose without our written consent.

METRIC