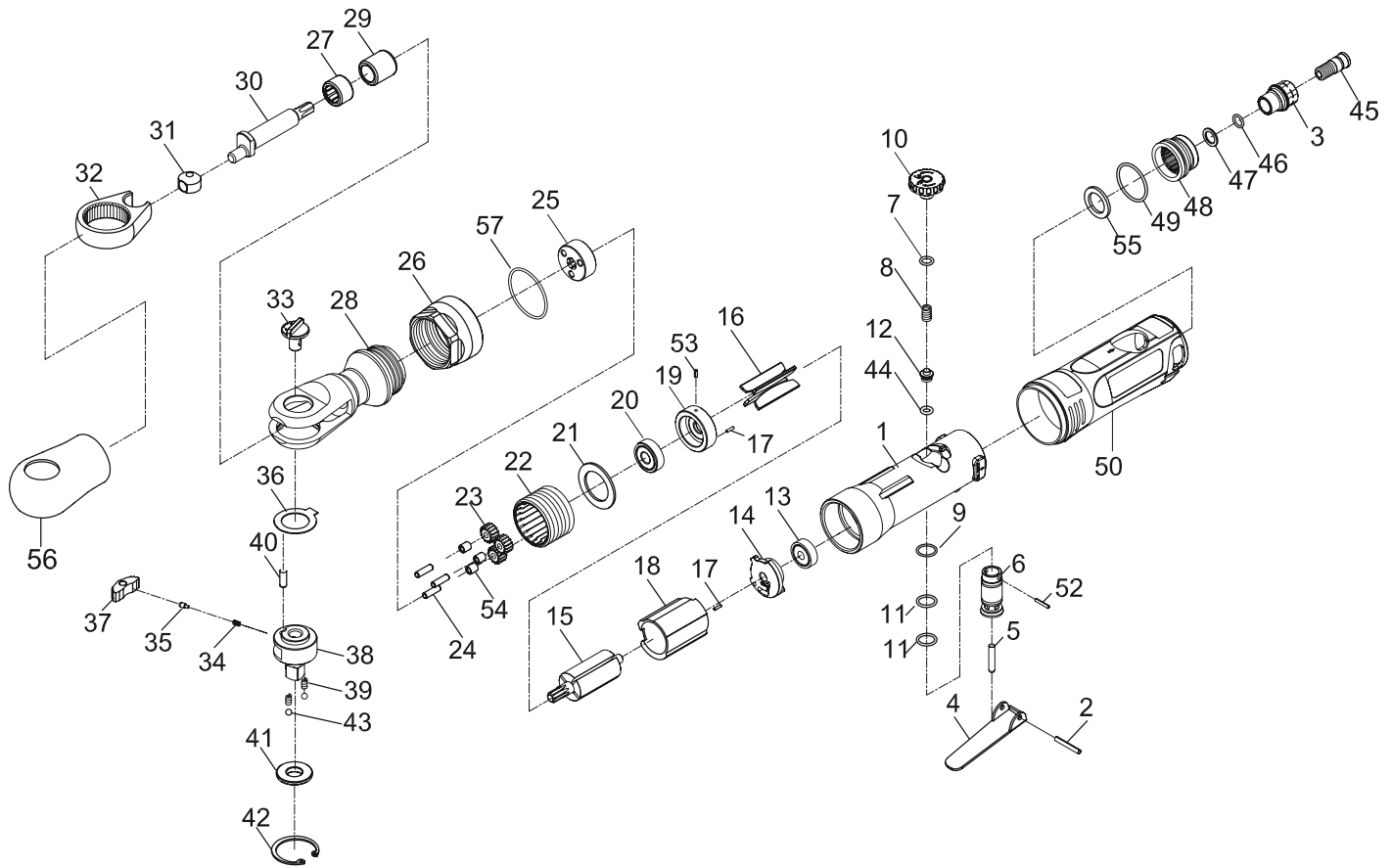


# 1/2" Air ratchet wrench

K 9809



**KR 9808-1** Engine repair kit: Pos 7, 8, 9, 11, 16, 44, 46, 49, 57

**KR 9809-2** Gearing repair kit: Pos 33, 34, 35, 37, 38, 39, 40, 41, 42, 43

**KR 9808-3** Throttle set: Pos 2, 4, 5

**KR 9808-4** Air inlet kit: Pos 3, 45, 46, 47, 48, 49, 55

**KR 9808-56** Rubber hat

Pos.	Parts No.	Description
1		Motor housing
2	KR 9808-3	Spring pin
3	KR 9808-4	Air inlet
4	KR 9808-3	Throttle lever
5	KR 9808-3	Throttle valve
6		Bushing
7	KR 9808-1	O-ring
8	KR 9808-1	Spring
9	KR 9808-1	O-ring
10		Knob
11	KR 9808-1	O-ring (2 pcs.)
12		Throttle valve
13		Ball bearing
14		Rear end plate
15		Rotor
16	KR 9808-1	Rotor blade (4 pcs.)
17		Pin
18		Cylinder
19		Front end plate
20		Ball bearing
21		Washer
22		Thread ring gear
23		Idler gear (3 pcs.)
24		Idler gear pin (3 pcs.)
25		Idler gear plate
26		Clamp nut
27		Needle bearing
28		Ratchet housing

Pos.	Parts No.	Description
29		Bushing
30		Crank shaft
31		Drive bushing
32		Yoke
33	KR 9809-2	Reverse button
34	KR 9809-2	Spring
35	KR 9809-2	Lock pin
36		Washer
37	KR 9809-2	Ratchet pawl
38	KR 9809-2	Ratchet anvil 3/8"
39	KR 9809-2	Spring (2 pcs.)
40	KR 9809-2	Pin
41	KR 9809-2	Thrust washer
42	KR 9809-2	Retainer ring
43	KR 9809-2	Steel ball
44	KR 9808-1	O-ring
45	KR 9808-4	Fixed shaft
46	KR 9808-4	O-ring
47	KR 9808-4	Washer
48	KR 9808-4	Deflector
49	KR 9808-1, KR 9808-4	O-ring
50		Grip
52		Spring pin
53		Spring pin
54		Bushing (3 pcs.)
55	KR 9808-4	Damping material
56	KR 9808-56	Rubber hat
57	KR 9808-1	O-ring