

indelB

SLEEPING WELL **Smart-IN**

After-market Integrated Parking Cooler

indelB

What is it?

SMART IN is the FIRST integrated DC24 Volt battery operated air conditioner which exploits the existent AC circuit installed on board of commercial vehicles.

indelB

How is it made?

SMART IN is made of the following main groups of components:

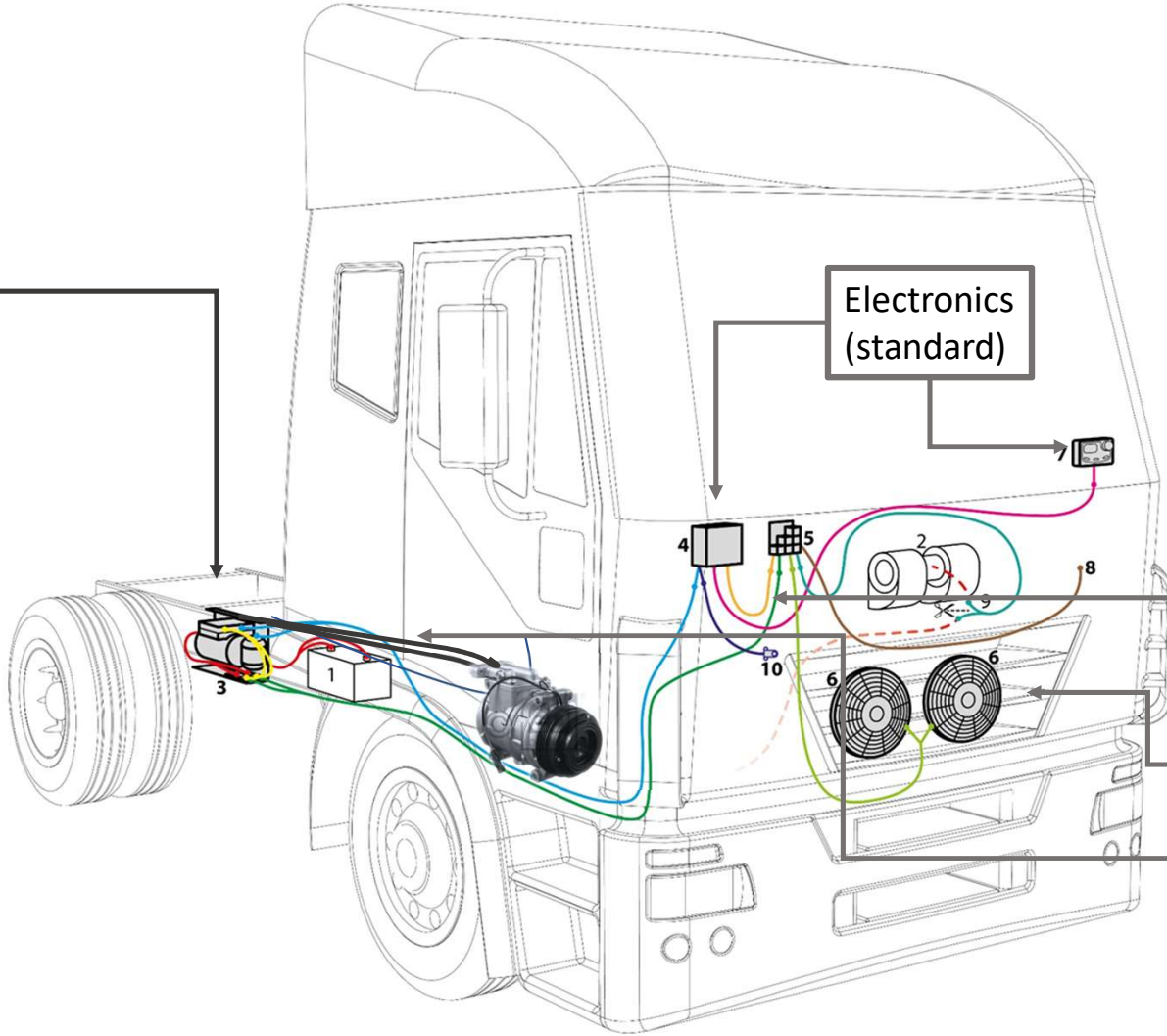
- 1) Compressor Unit
- 2) Electronics
 - a. ECU
 - b. Control Panel
 - c. Remote Control
- 3) Installation Kit
 - a. Condenser fans with brackets
 - b. Pipes and fittings to connect the compressor unit to the cooling circuit of the vehicle
 - c. Electric wirings
 - d. Brackets for compressor unit (if necessary)

indelB

Compressor Unit
(standard)

Electronics
(standard)

Installation Kit
(tailored)

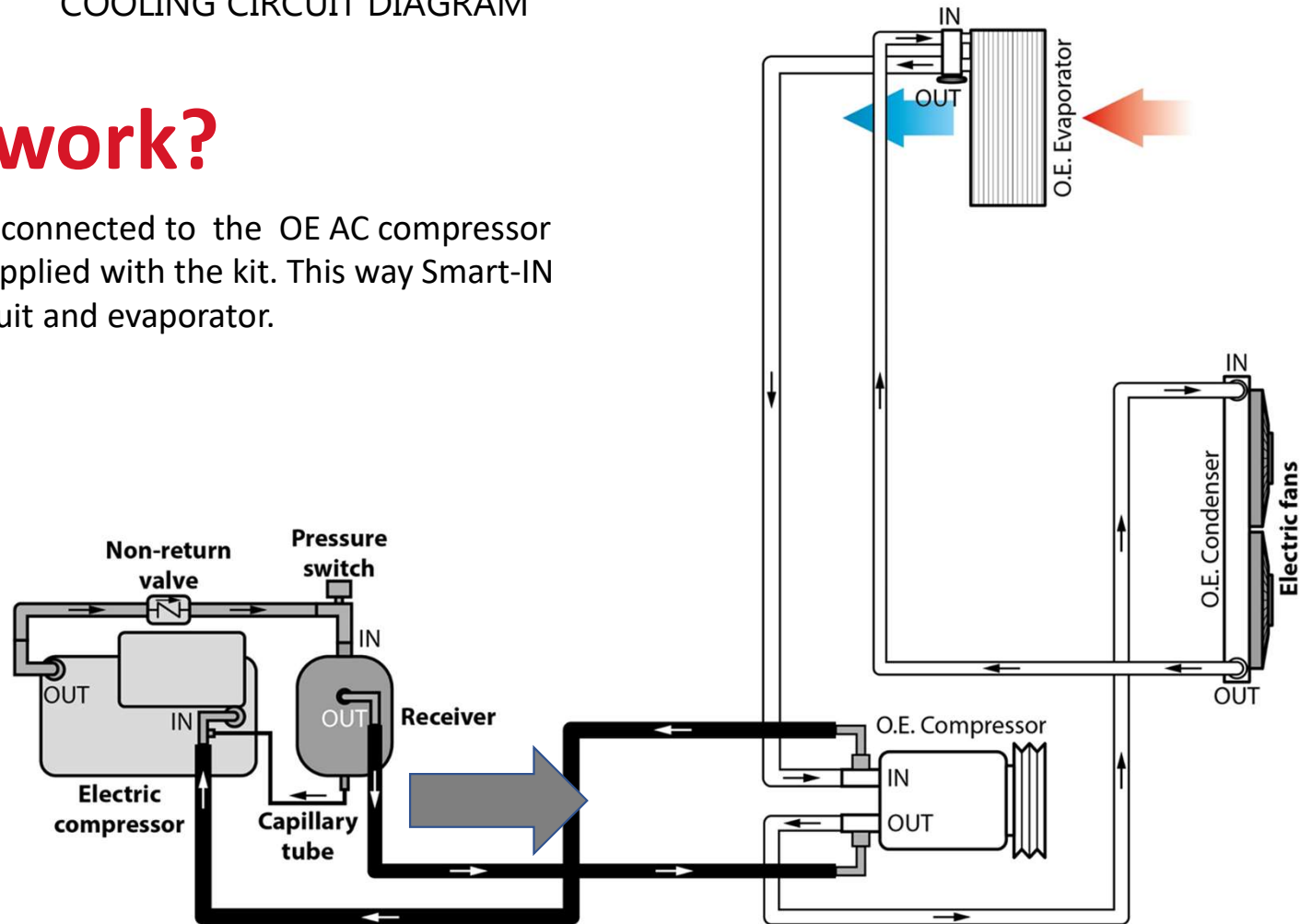


indelB

COOLING CIRCUIT DIAGRAM

How does it work?

1. The compressor unit will be connected to the OE AC compressor using the specific connectors supplied with the kit. This way Smart-IN will use the existing cooling circuit and evaporator.

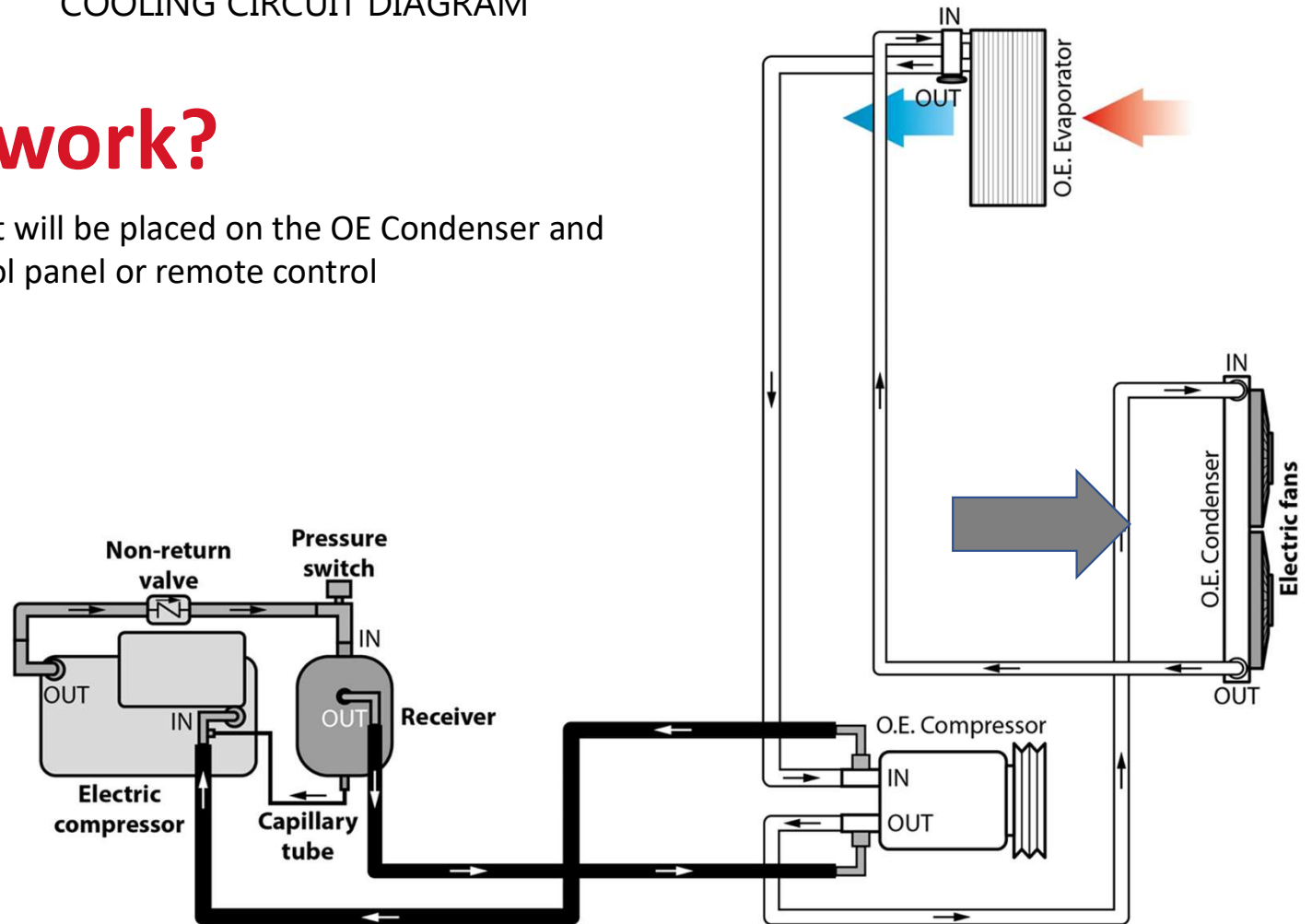


indelB

COOLING CIRCUIT DIAGRAM

How does it work?

2. The fan supplied with the kit will be placed on the OE Condenser and managed by the ECU and control panel or remote control

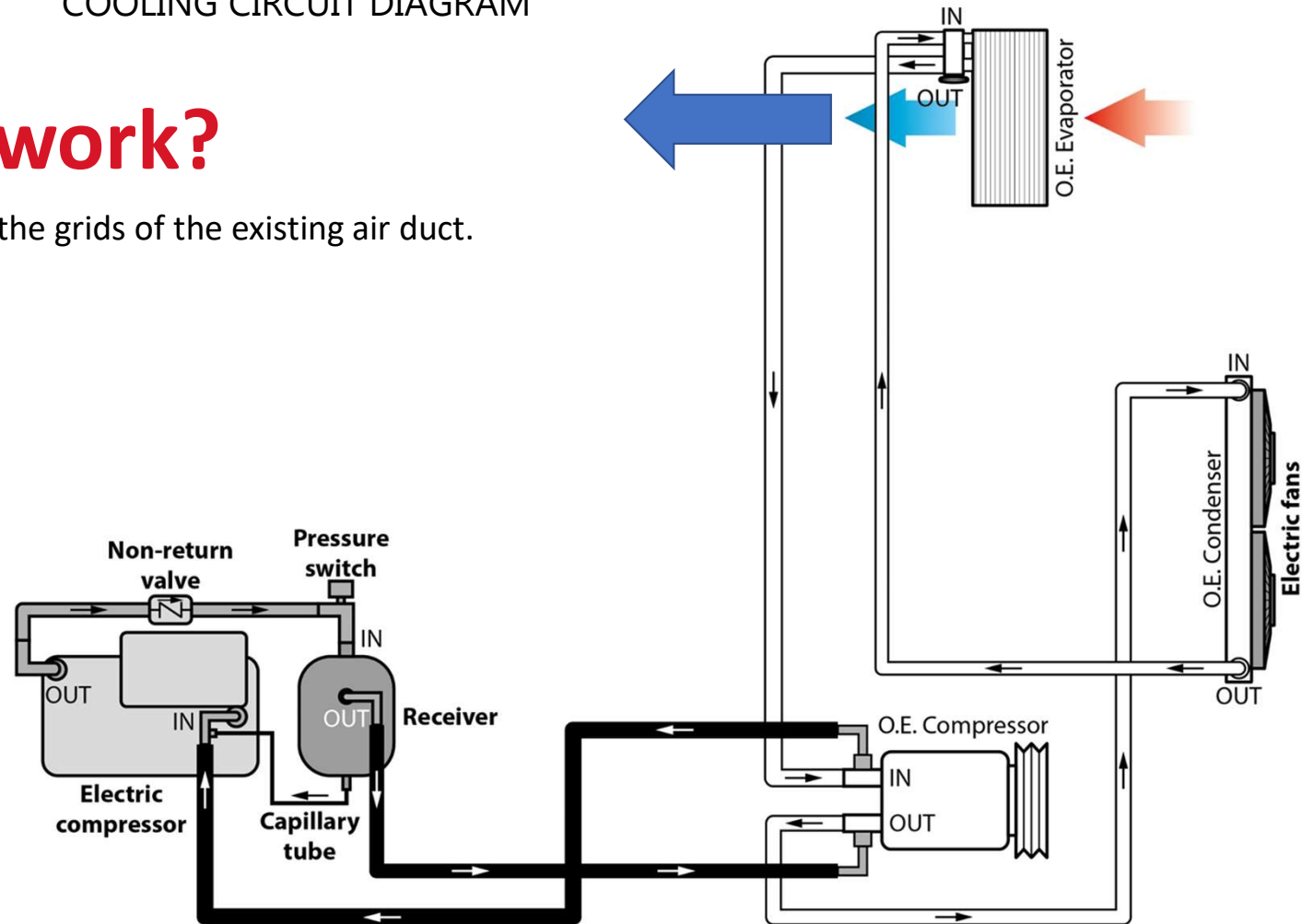


indelB

COOLING CIRCUIT DIAGRAM

How does it work?

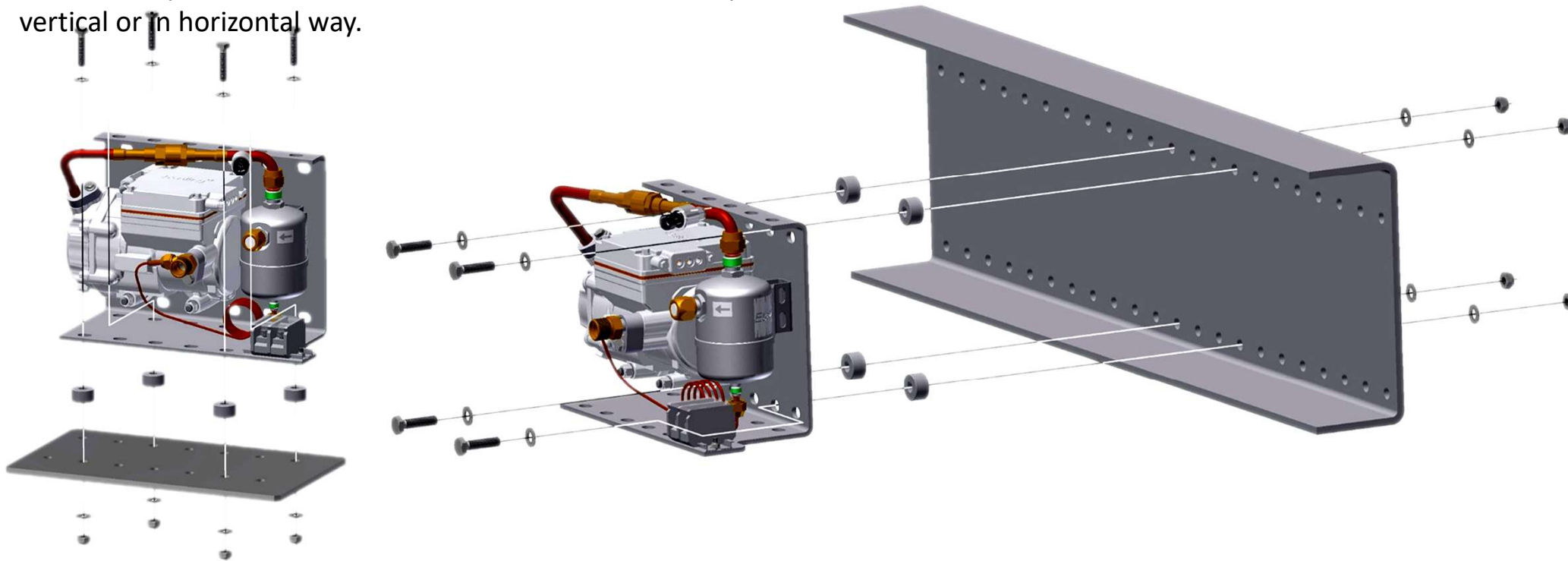
3. Air flow will come out from the grids of the existing air duct.



indelB

How to install?

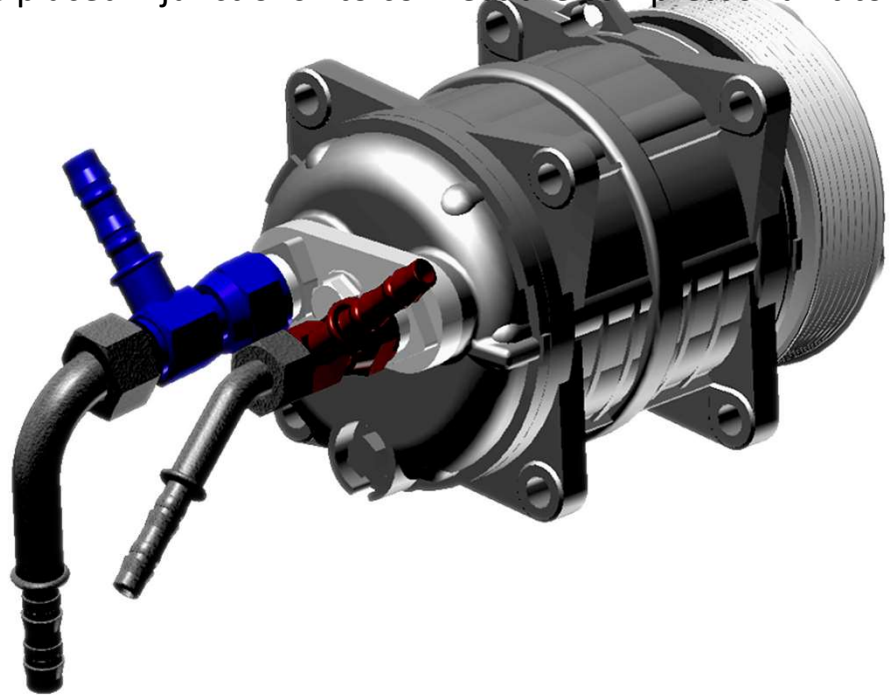
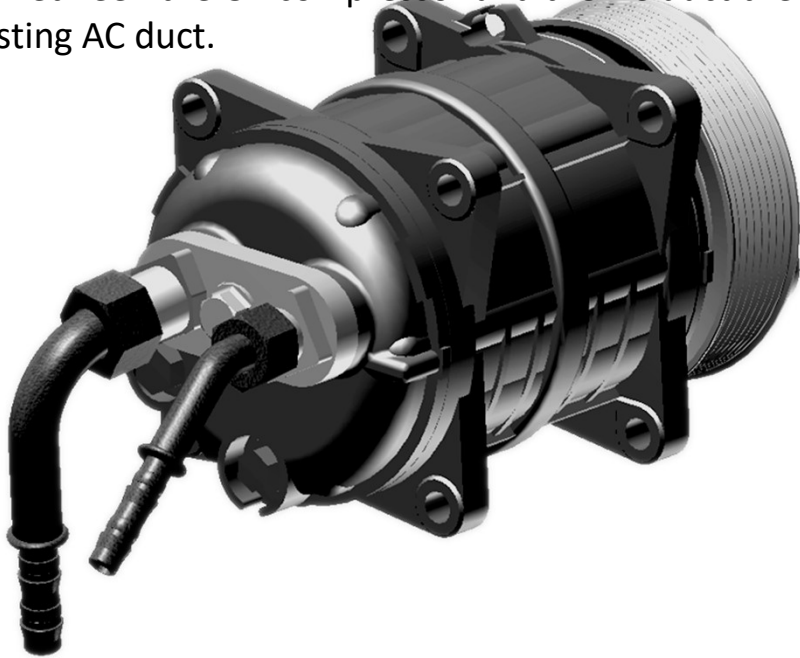
1. The compressor unit is installed on a metal frame ready to be fastened to the chassis of the commercial vehicle in vertical or in horizontal way.



indelB

How to install?

2. Between the OE compressor and the AC duct there will be placed 2 junctions* to connect the compressor unit to the existing AC duct.

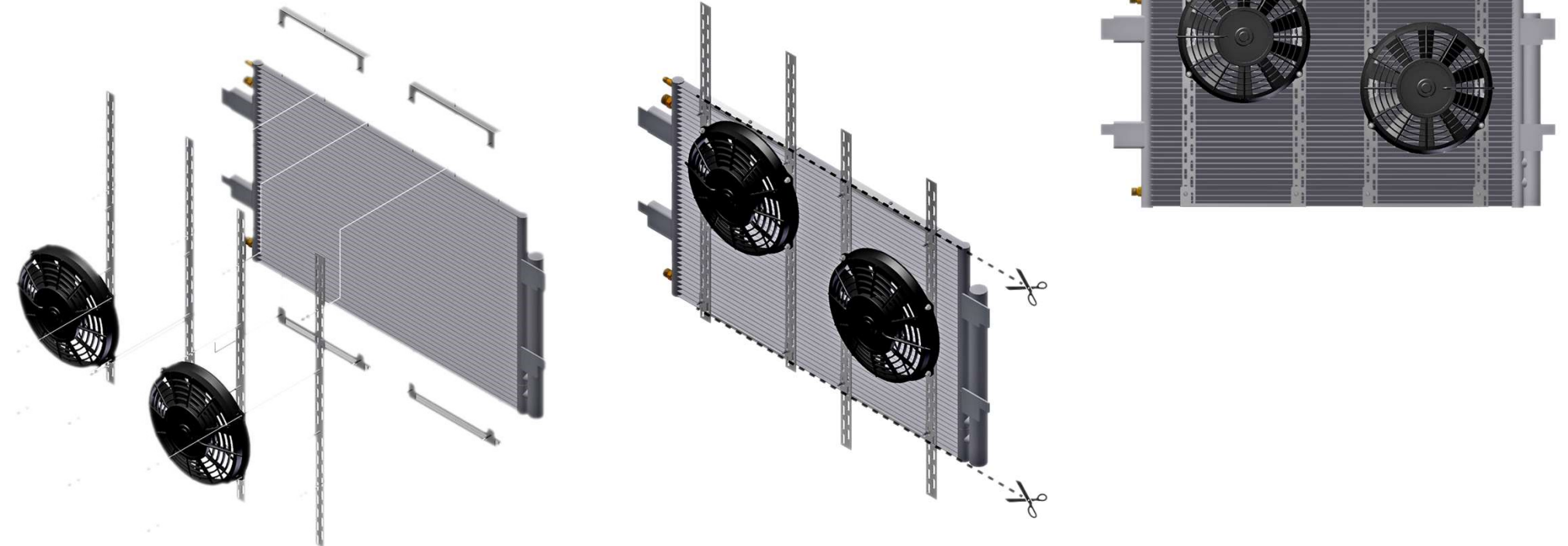


* The junctions can vary from kit to kit.

indelB

How to install?

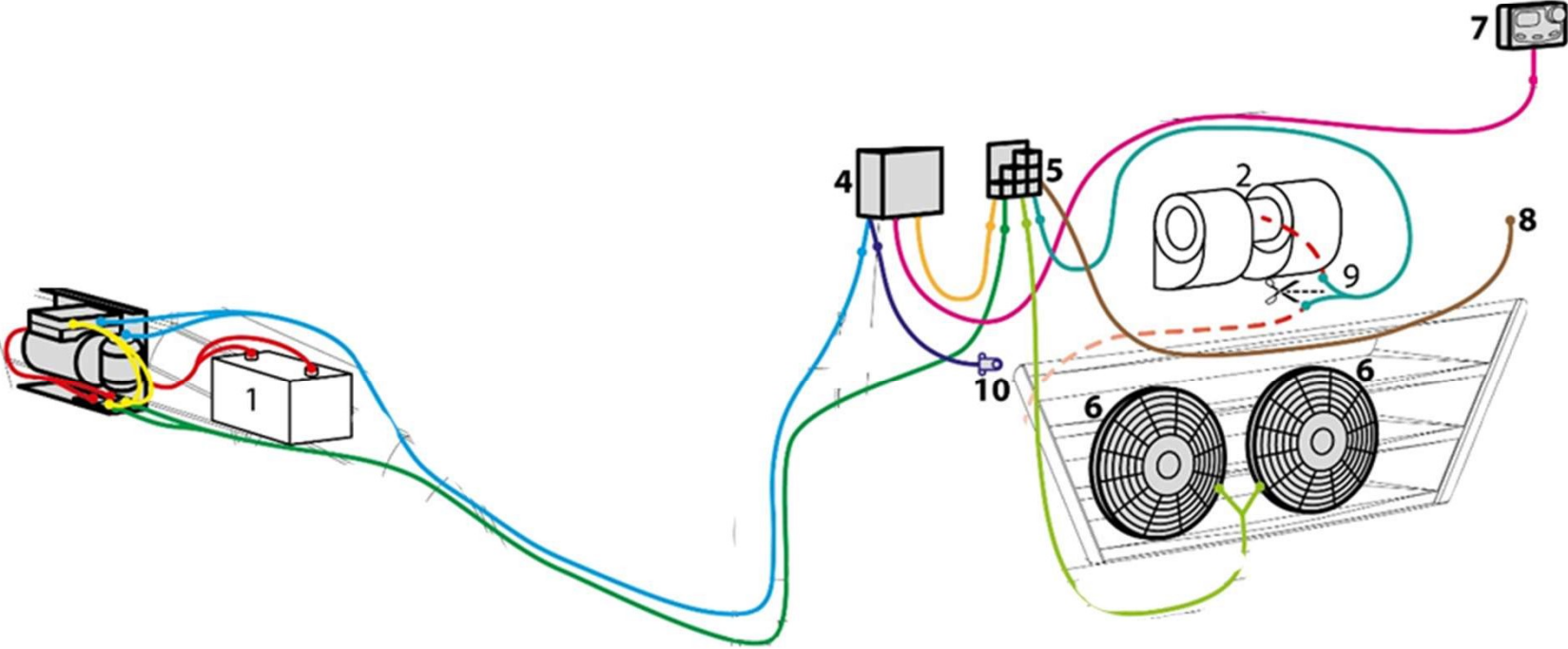
3. Fans will be installed over the condenser using the metal brackets supplied.



indelB

How to install?

4. ECU will be connected to the COMPRESSOR UNIT, FANS, CONTROL PANEL and OE VENTILATOR



indelB

How to install?

5. The control panel will be placed on the dashboard.





TECHNICAL SPECIFICATION

Power Consumption:

- STANDARD: 450 Watt@25.5V
approximately 17.6A/h
- MAX: 950 Watt@25.5V
approximately 37.2A/h

Cooling Capacity:

- STANDARD: 1050 Watt
- MAX: 2300 Watt

indelB ADVANTAGES COMPARE WITH EXISTING AFTER MARKET SOLUTIONS

- BETTER VEHICLE Cx in comparison with roof top mounted solution
- FREE HATCH
- NO ADDITIONAL HOLES
- LOW INCREASE of WEIGHT
- No INCREASE of HEIGHT
- HIGHER PERFORMANCE
- LOWER NOISE



Available Installation Kits

Installation Kit SMART IN FG/SI STRALIS Euro 6	(Code 2.6.1193.2/OIB)
Installation Kit SMART IN FG/SI MAN TGX Euro 5	(Code 2.6.1194.2/OIB)
Installation Kit SMART IN FG/SI VOLVO FH Euro 6	(Code 2.6.1195.2/OIB)
Installation Kit SMART IN FG/SI MAN TGX Euro 6	(Code 2.6.1196.2/OIB)
Installation Kit SMART IN FG/SI RENAULT T Euro 6	(Code 2.6.1197.2/OIB)
Installation Kit SMART IN FG/SI ACTROS MP4 Euro 6	(Code 2.6.1198.2/OIB)