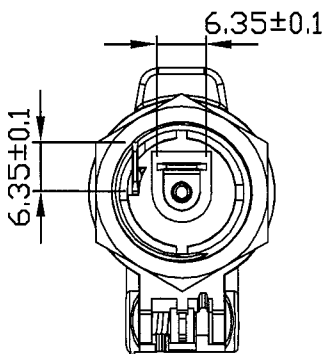
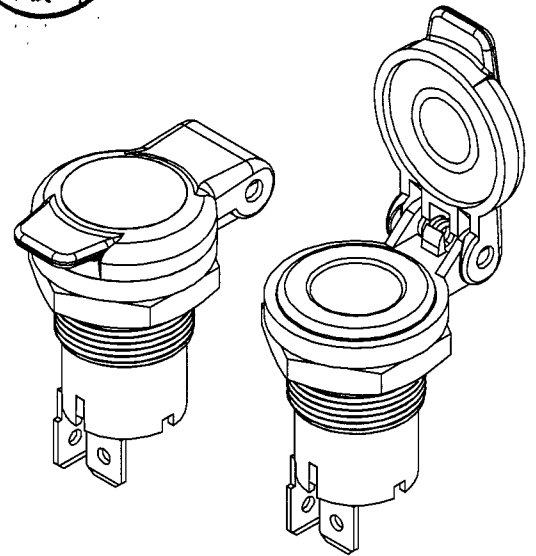
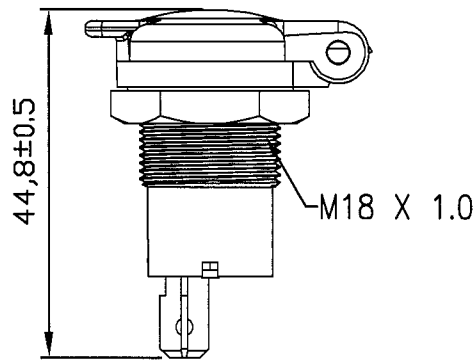
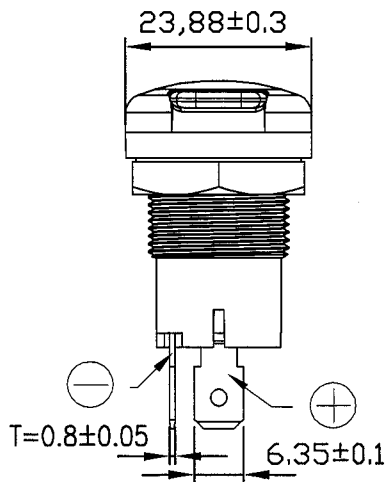
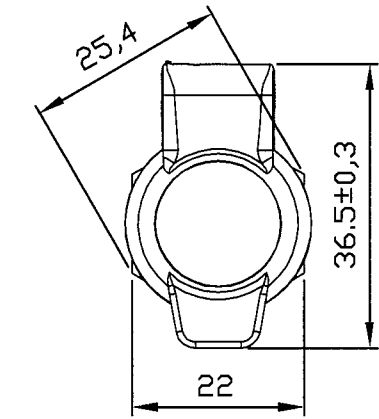


Rating	12-24V DC 20A Max.	<div style="text-align: center;"> </div>
Insulation Resistance	DC 500V 100M ohm Min.	
Operation Temperature	-20°C~40°C	
Storage temperature	-20°C~60°C	
Insertion and extraction forces	3~10 Kgf	



Material:
Housing: Aluminum, Anodized
Top cover: PA66, Black
Nut: Aluminum, Anodized
10A fits wire 18AWG
15A fits wire 16AWG
20A fits wire 12AWG

								△
								△
Date	Name	Description						NO
Drawn	Checked	Approved	SCI BOM No.	1251596	Model Name	POWER SOCKET		
			Customer No.		Model No.	A13-227A	REV.	0
			Unit	mm				