

LK 514 Safety Relief Valve



TECHNICAL DATA

Working temperature	Min. -15°C / Max. +90°C (+120°C briefly)
Thread standard Male	G
Material, valve body	DZR Brass EN 12165 CW602N
Material, sealings	EPDM
Type approval certificates:	<p>†</p> <p>SWEDCERT TG 0197</p> <p>CE</p>

LK 514 is a high lift, soft sealing safety relief valve for tap water installations as well as heating, recycling and cooling systems with thermal expansion only. The valve must not be used for steam. The outlet is fitted with compression fitting for simple installation of a discharge pipe.

The safety relief valve can be installed horizontally or vertically, i.e. with the valve knob facing outwards or upwards. In horizontal installations, the outlet must be positioned so that water pockets cannot be formed. The male thread is designed for the LK Armatur system with O-ring seal where the valve is first tightened by hand until stop and then with a spanner, 0.5-1.5 turns until the desired position is achieved. If the valve is fitted to other components than an LKA valve, the thread has to be sealed in the usual manner.

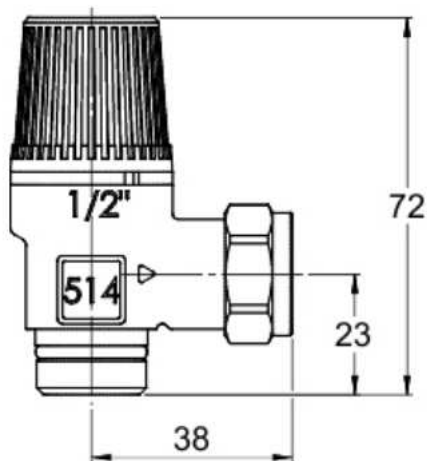
The safety relief valve requires no maintenance but the opening function should be checked 2-3 times per year according to the following:

Turn the knob counter-clockwise ¼ turn until a faint “click” is heard. Let the water flush through briefly, then turn another ¼ turn until a stronger “click” is heard and the valve closes.

This two-step opening function makes it possible to use the safety valve discharge pipe to drain e.g. a water heater.

It is normal for the safety relief valve to open and let out some water when the pressure level of the system is reached due to the water's increasing volume during heating.

LK 514 MALE THREAD / COMPRESSION FITTING



Article number	Dim.	Opening pressure / Max. blow-off capacity (According to Swedish Standard VVA 93)	Weight kg
090109	M 1/2" / 15 mm	0.15 MPa / 31 l/min.	0.1
090108	M 1/2" / 15 mm	0.2 MPa / 35 l/min.	0.1
090110	M 1/2" / 15 mm	0.25 MPa / 50 l/min.	0.1
090111	M 1/2" / 15 mm	0.3 MPa / 81 l/min.	0.1
090112	M 1/2" / 15 mm	0.4 MPa / 96 l/min.	0.1
090113	M 1/2" / 15 mm	0.6 MPa / 118 l/min.	0.1
090114	M 1/2" / 15 mm	0.7 MPa / 104 l/min.	0.1
090115	M 1/2" / 15 mm	0.9 MPa / 122 l/min.	0.1
090116	M 1/2" / 15 mm	1.0 MPa / 148 l/min.	0.1