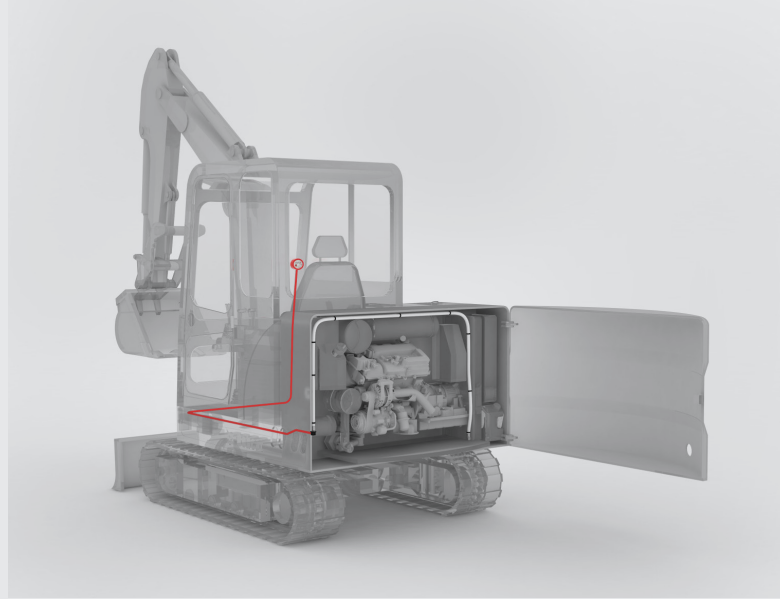
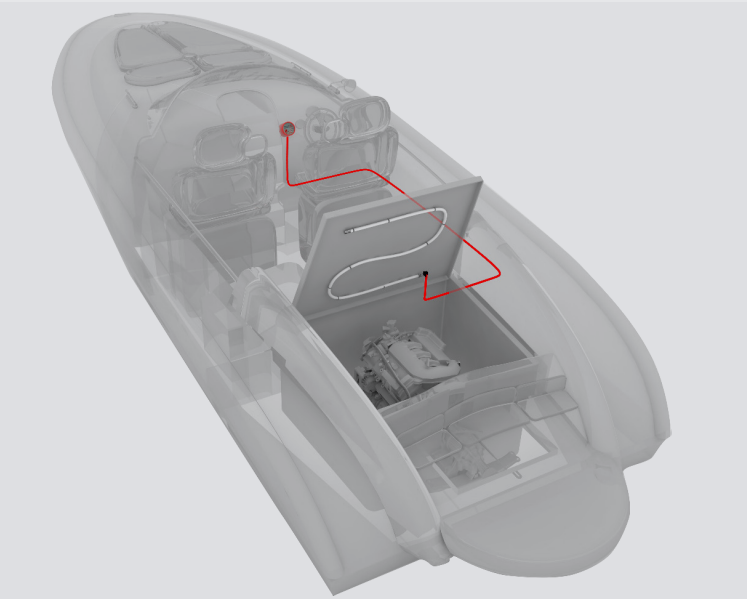


Automatic fire suppression system



T Series



Pressure Switch Options

Designed to protect small enclosed spaces with greater risks of fire. Simple and easy to install, the BlazeCut T Series system operates automatically without any external power source. The extinguishing agent is stored in a tube, which also serves to apply extinguishing agent directly to the fire at its source. When a fire occurs, the combination of heat and internal pressure causes the tube to rupture, creating a nozzle, releasing the extinguishing agent.

Model Types	Model "S"	Model "S-E"
Indoor use	✓	✓
Fixed applications	✓	✓
Harsh environments	✓	✗
Outdoor use	✓	✗
Mobile/Vibrating applications	✓	✗
Fault monitoring	✓	✗
IP 65 Rated	✓	✗
N/O or N/C Wiring Options	✓	✗



Pressure Switch Model "S"



Economy Pressure Switch "S-E"

The pressure switch is designed to work in conjunction with the an Alarm Panel or signalling device. The electrical output can be connected in a way that allows for the alerting of operators and other nearby people. Further to this the signal can be used to shut-down or turn off another electrical process in the event of activation.

Optional Components

The unique construction of the T Series system allows you to connect to the optional pressure switch which monitors the pressure inside the BlazeCut Tube. Once the system is discharged the pressure switch sends a signal to a signaling unit or to an external device to perform other safety operations (e.g. disconnect the power or shut down the engine).



TAP200

Compact audio-optical alarm panel. Features "OK", "FAULT", "FIRE" LED's, fire alarm buzzer and a fault monitoring system.



AWB012/24

Small and effective, the AWB features both LED lights and siren for indication of fire, available in 12v or 24v.



ASU001

Simple and cost-effective sound and light signalling unit, 81dB, 6 - 28 V dc, Suitable for indoor, fixed, low vibration.



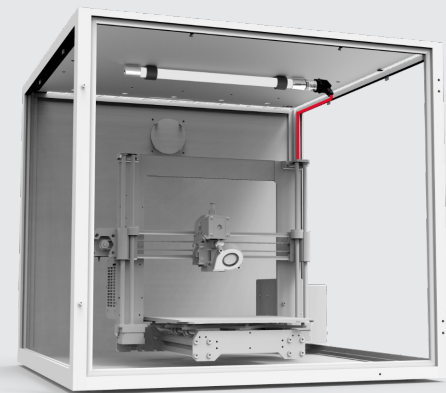
ASU002

Red sounder and beacon with high base, 114 dB, IP44, 24 V dc. Suitable for indoor, fixed, low vibration.

Extinguishing Agent

BlazeCut T Series system uses liquefied gas, HFC-227ea fire extinguishing agent. The extinguishing agent is a world-wide known and accepted gaseous clean agent used for total flooding fire suppression applications with very high effectivity, zero ozone depletion potential and safe to people. It is the agent of choice for protection of enclosures with advantages:

- Electrically non conductive
- Non corrosive
- Resistant to temperature changes
- Leaves no residue
- Does not damage equipment or objects
- Zero ozone depleting potential



HFC-227ea is UL Recognised and FM Approved and is an environmentally preferred substitute for Halon 1301.

Fire Class Rating



CLASS A: ordinary combustibles (creating flames)



CLASS B: flammable liquids



CLASS C: burning gases



LIVE ELECTRICAL equipment

Contact Details

Global Head Office:

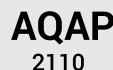
BlazeCut Pty Ltd
 Sydney, Australia
 sales@blazecut.com
 +61 2 8006 1300
 www.blazecut.com

Regional Sales Locations:

Chile, Thailand, Indonesia, United Kingdom, Singapore, U.S.A, Spain, Sweden

Dealers/Distributor

BlazeCut has a global network of dealers and distributors. To find your nearest stockist or to become a dealer please contact BlazeCut
 Manufacturing:
 BlazeCut s.r.o, Bernolákovo, Slovakia



The contents and information contained in this brochure are believed to be accurate at the time of publication. If you believe that any content contained in this brochure is not accurate or you have any queries regarding the content, please contact BlazeCut. PP-PS-2105-EN