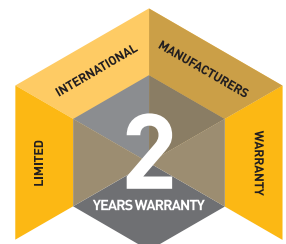




# Manual JTM300000



Specifications	
Width =	335 mm
Length =	615 mm
Min. H. =	130 mm
Max H. =	470 mm
3 T	
31 kg	



## WINNTEC MOTION LINE

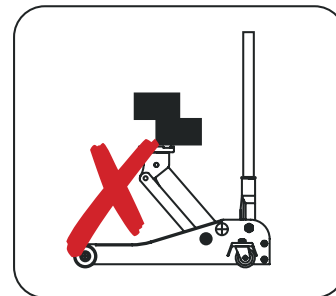
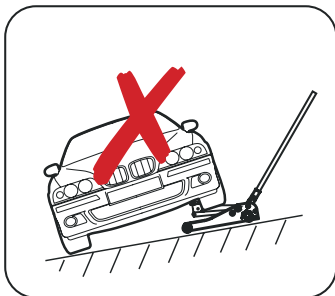
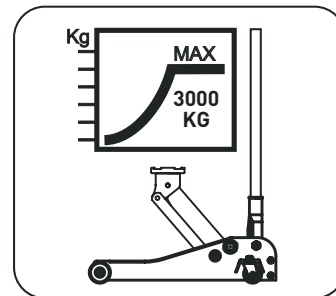
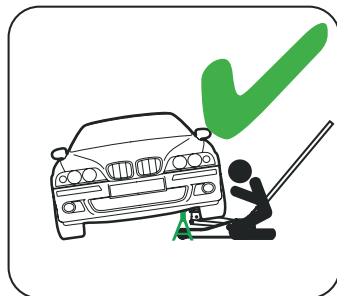
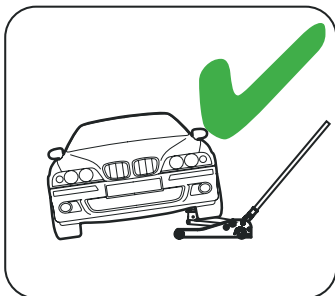
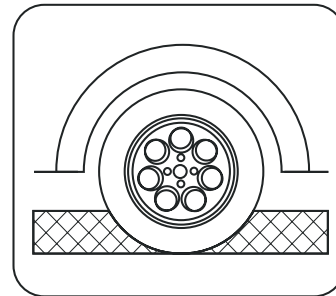
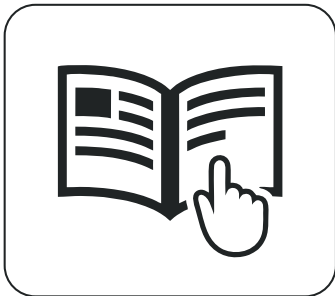
Winntec Europe

Rechtzaad 6, 4703 RC Roosendaal, The Netherlands, +31 165 394 018, info@winntec.net

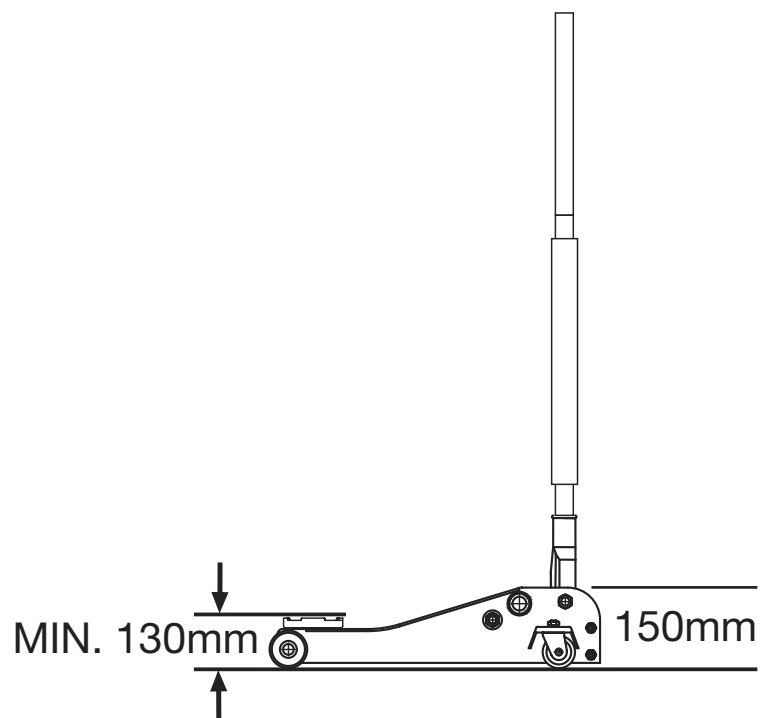
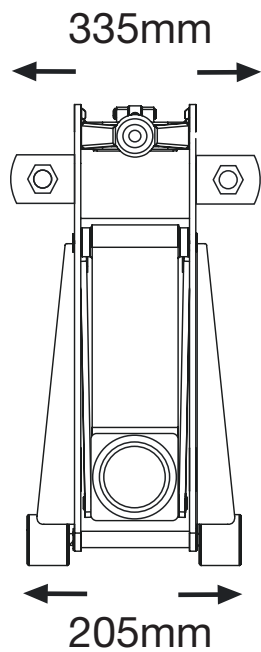
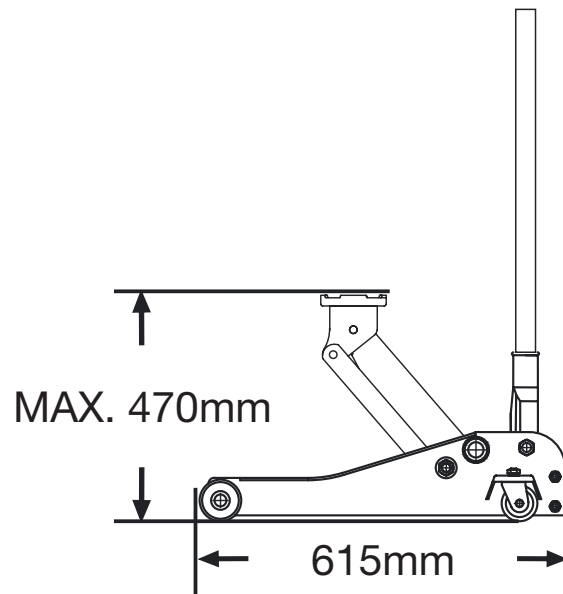
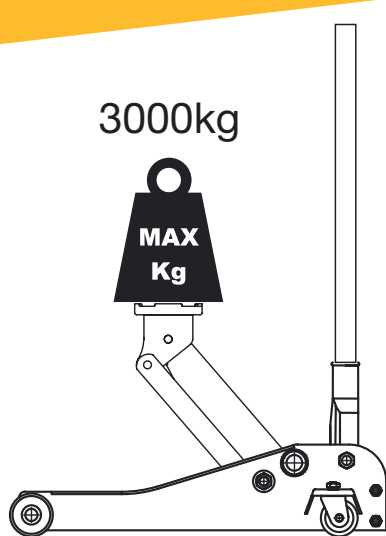
[www.winntec.net](http://www.winntec.net)



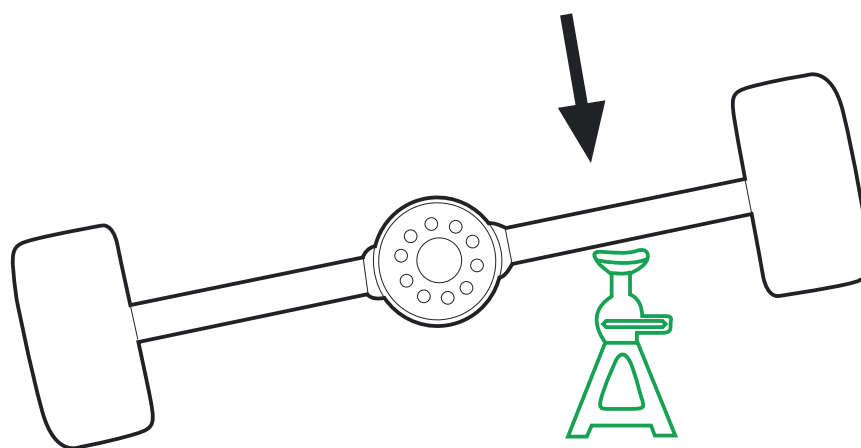
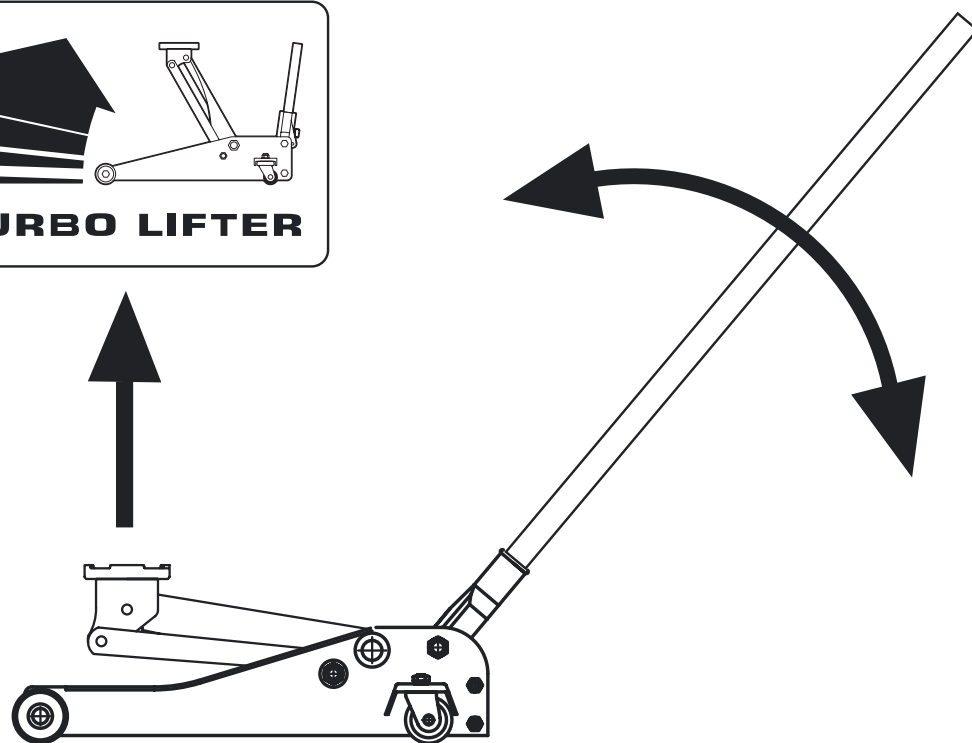
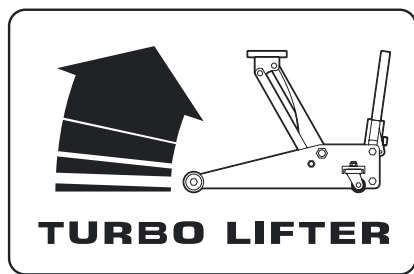
## WARNINGS



**WINNTEC MOTION LINE**

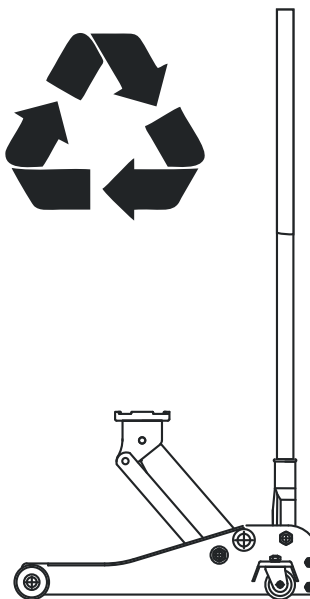
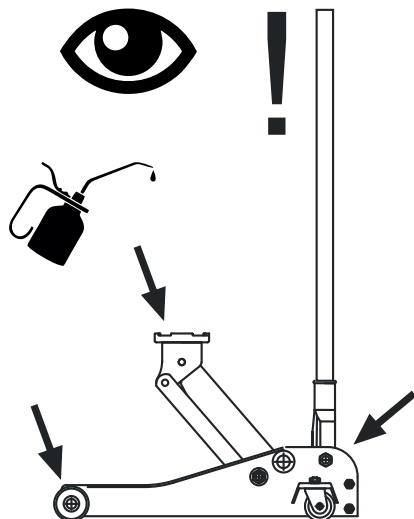
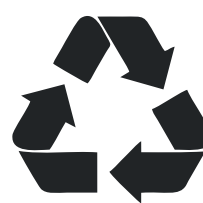
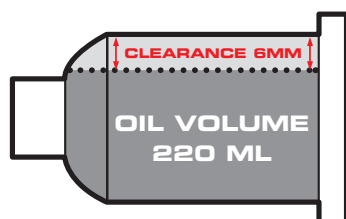


**WINNTEC MOTION LINE**

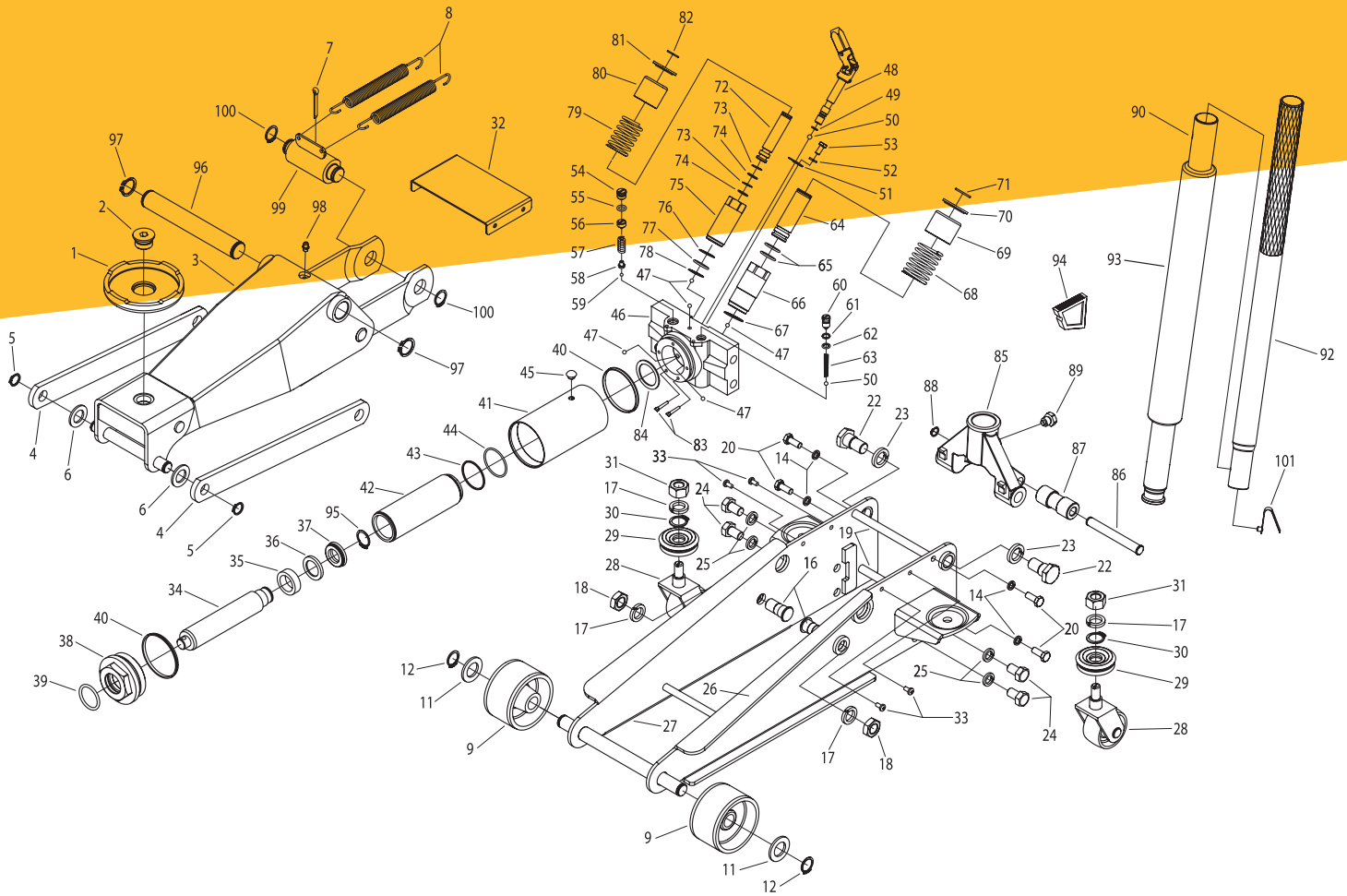


Y452300-Y452600-Y450301-Y451600

**WINNTEC MOTION LINE**



**WINNTEC MOTION LINE**



ART NR	DESCRIPTION	QTY	ART NR	DESCRIPTION	QTY	ART NR	DESCRIPTION	QTY	ART NR	DESCRIPTION	QTY
JTM300000-1	SADDLE	1	JTM300000-30	SNAP RING	2	JTM300000-55	O-RING	1	JTM300000-80	SPRING SLEEVE	1
JTM300000-2	SADDLE BOLT	1	JTM300000-31	NUT	2	JTM300000-56	SCREW SAFETY V.	1	JTM300000-81	SPRING TOP SHEET	1
JTM300000-3	LIFT ARM ASSY	1	JTM300000-32	COVER PLATE	1	JTM300000-57	SPRING	1	JTM300000-82	SNAP RING	1
JTM300000-4	RADIUS LINK	2	JTM300000-33	SCREW	4	JTM300000-58	VALVE	1	JTM300000-83	FILTER	2
JTM300000-5	SNAP RING	2	JTM300000-34	RAM PLUNGER	1	JTM300000-59	BALL	1	JTM300000-84	WASHER	1
JTM300000-6	WASHER	2	JTM300000-35	BUSHING COVER	1	JTM300000-60	BOLT	1	JTM300000-85	HANDLE BASE	1
JTM300000-7	COTTER PIN	1	JTM300000-36	WASHER	1	JTM300000-61	BACK-UP WASHER	1	JTM300000-86	PIN	1
JTM300000-8	SPRING	2	JTM300000-37	SEALING RING	1	JTM300000-62	O-RING	1	JTM300000-87	ROLLER	1
JTM300000-9	FRONT WHEEL	2	JTM300000-38	TOP NUT	1	JTM300000-63	SPRING	1	JTM300000-88	SNAP RING	1
JTM300000-11	WASHER	2	JTM300000-39	O-RING	1	JTM300000-64	PUMP PISTON	1	JTM300000-89	BOLT	1
JTM300000-12	SNAP RING	2	JTM300000-40	WEDGE RING	2	JTM300000-65	O-RING	2	JTM300000-90	LOWER HANDLE	1
JTM300000-14	LOCK WASHER	4	JTM300000-41	RESERVOIR	1	JTM300000-66	PUMP	1	JTM300000-92	UPPER HANDLE	1
JTM300000-16	RADIUS LINK STUD	2	JTM300000-42	CYLINDER	1	JTM300000-67	WASHER	1	JTM300000-93	FOAM	1
JTM300000-17	LOCK WASHER	4	JTM300000-43	WASHER	1	JTM300000-68	PUMP CORE SPRING	1	JTM300000-94	RUBBER BLOCK	1
JTM300000-18	NUT	2	JTM300000-44	O-RING	1	JTM300000-69	SPRING SLEEVE	1	JTM300000-95	SNAP RING	1
JTM300000-19	FRAME TIE ROD	2	JTM300000-45	OIL SEAL	1	JTM300000-70	SPRING TOP SHEET	1	JTM300000-96	LIFT ARM SHAFT	1
JTM300000-20	SCREW	4	JTM300000-46	BASE	1	JTM300000-71	SNAP RING	1	JTM300000-97	SNAP RING	2
JTM300000-22	HANDLE BOLT	2	JTM300000-47	BALL	5	JTM300000-72	PUMP PISTON	1	JTM300000-98	GREASE FITTING	1
JTM300000-23	LOCK WASHER	2	JTM300000-48	RELEASE VALVE ASSY	1	JTM300000-73	WASHER	2	JTM300000-99	CORE TUBE ASSY	1
JTM300000-24	BOLT	4	JTM300000-49	O-RING	1	JTM300000-74	O-RING	2	JTM300000-100	SNAP RING	2
JTM300000-25	LOCK WASHER	4	JTM300000-50	BALL	2	JTM300000-75	PUMP	1	JTM300000-101	HANDLE LOCK B	1
JTM300000-26	LEFT PLATE ASSY	1	JTM300000-51	WASHER	1	JTM300000-76	WASHER	1			
JTM300000-27	RIGHT PLATE ASSY	1	JTM300000-52	LOCK WASHER	1	JTM300000-77	O-RING	1			
JTM300000-28	REAR CASTER ASSY	2	JTM300000-53	HEX BOLT	1	JTM300000-78	WASHER	1			
JTM300000-29	BEARING	2	JTM300000-54	SCREW	1	JTM300000-79	PUMP CORE SPRING	1			



# Manual JTM300000

## F: DÉCLARATION DE CONFORMITÉ

**Nous:** Winntec  
**Adresse:** Rechtzaad 6  
4703 RC Roosendaal The Netherlands

déclarons sous notre seule responsabilité que les produits auxquels se réfère cette déclaration sont conformes aux dispositions des Directives: 2006/42/EC, EN 1494:2000+A1:2008

## NL: VERKLARING VAN OVEREENKOMST

**Wij:** Winntec  
**Adres:** Rechtzaad 6  
4703 RC Roosendaal The Netherlands

verklaren geheel onder eigen verantwoordelijkheid dat de volgende producten, waarop deze verklaring betrekking heeft, in overeenstemming zijn met de bepalingen van Richtlijn: 2006/42/EC, EN 1494:2000+A1:2008

## I: DICHIARAZIONE DI CONFORMITÀ

**Noi:** Winntec  
**Indirizzo:** Rechtzaad 6  
4703 RC Roosendaal The Netherlands

dichiariamo sotto la nostra esclusiva responsabilità che i prodotti ai quali questa dichiarazione si riferisce sono conformi a quanto previsto dalle direttive: 2006/42/EC, EN 1494:2000+A1:2008

## E: DECLARACIÓN DE CONFORMIDAD

**Nosotros:** Winntec  
**Dirección:** Rechtzaad 6  
4703 RC Roosendaal The Netherlands

declaramos bajo nuestra exclusiva responsabilidad la conformidad de los productos a los que refiere esta declaración, con las disposiciones de Directiva: 2006/42/EC, EN 1494:2000+A1:2008

## P: DECLARAÇÃO DE CONFORMIDADE

**Nós:** Winntec  
**Endereço:** Rechtzaad 6  
4703 RC Roosendaal The Netherlands

declaramos, sob nossa única responsabilidade, que os seguintes produtos, incluídos nesta declaração estão em conformidade com o disposto na Directiva: 2006/42/EC, EN 1494:2000+A1:2008

## SE: FÖRSÄKRAN OM ÖVERENSSTÄMMELSE

**Vi:** Winntec  
**Adress:** Rechtzaad 6  
4703 RC Roosendaal The Netherlands

försäkrar under eget ansvar att följande produkter som omfattas av denna försäkran är i överensstämmelse med villkoren i direktiv: 2006/42/EC, EN 1494:2000+A1:2008

## N: ERKLÆRING OM OVERENSSTEMMELSE

**Vi:** Winntec  
**Adresse:** Rechtzaad 6  
4703 RC Roosendaal The Netherlands

erklærer på eget ansvar, at følgende produkter som dekkes av denne erklæringen, er i overensstemmelse med bestemmelsene i Direktiv: 2006/42/EC, EN 1494:2000+A1:2008

## DK: ÖVERENSSTEMMELSESERKLÆRING

**Vi:** Winntec  
**Adresse:** Rechtzaad 6  
4703 RC Roosendaal The Netherlands

erklærer på eget ansvar et følgende produkter som er omfattet af denne erklæring, er i overensstemmelse med bestemmelserne i Direktiv: 2006/42/EC, EN 1494:2000+A1:2008

## Fin: ÖVERENSSTEMMELSESERKLÆRING

**Me:** Winntec  
**Osoite:** Rechtzaad 6  
4703 RC Roosendaal The Netherlands

vakuutamme yksinomaan omalia vastuullamme, että seuraavat tuotteet, joihin tämä vakuutus liittyy, ovat seuraavien direktiivien vaatimusten mukaisia: 2006/42/EC, EN 1494:2000+A1:2008

## GB: DECLARATION OF CONFORMITY

**We:** Winntec  
**Address:** Rechtzaad 6  
4703 RC Roosendaal The Netherlands

declare under our sole responsibility that the following products to which this declaration relates conform with the provisions of Directives: 2006/42/EC, EN 1494:2000+A1:2008

## D: KONFORMITÄTSEKTLÄRUNG

**Wir:** Winntec  
**Anschrift:** Rechtzaad 6  
4703 RC Roosendaal The Netherlands

erklären auf eigene Verantwortung, daß folgende Produkte, auf die sich diese Erklärung bezieht, mit den Bedingungen der Direktiven: 2006/42/EC, EN 1494:2000+A1:2008



Typ,tyyppi,type,type,Typ,type,tipo,type,tipo,tipo: JTM300000

**Ralph Dubbeldam**  
Managing Director  
Winntec, 2022-07-30  
Roosendaal The Netherlands

**WINNTEC MOTION LINE**

Winntec Europe

Rechtzaad 6, 4703 RC Roosendaal, The Netherlands, +31 165 394 018, info@winntec.net

www.winntec.net



**UK: DECLARATION OF CONFORMITY**

**We:** Winntec

**Address:** Rechtzaad 6  
4703 RC Roosendaal The Netherlands

declare under our sole responsibility that the following products to which this declaration relates conform with the provisions of regulation(s): Supply of Machinery (Safety) Regulations 2008 and the harmonised standard(s): BS EN 1494:2000+A1:2008



**Ralph Dubbeldam**  
Managing Director  
Winntec, 2022-07-30  
Roosendaal The Netherlands

Type: JTM300000

**WINNTEC MOTION LINE**

**Winntec Europe**

Rechtzaad 6, 4703 RC Roosendaal, The Netherlands, +31 165 394 018, info@winntec.net

[www.winntec.net](http://www.winntec.net)