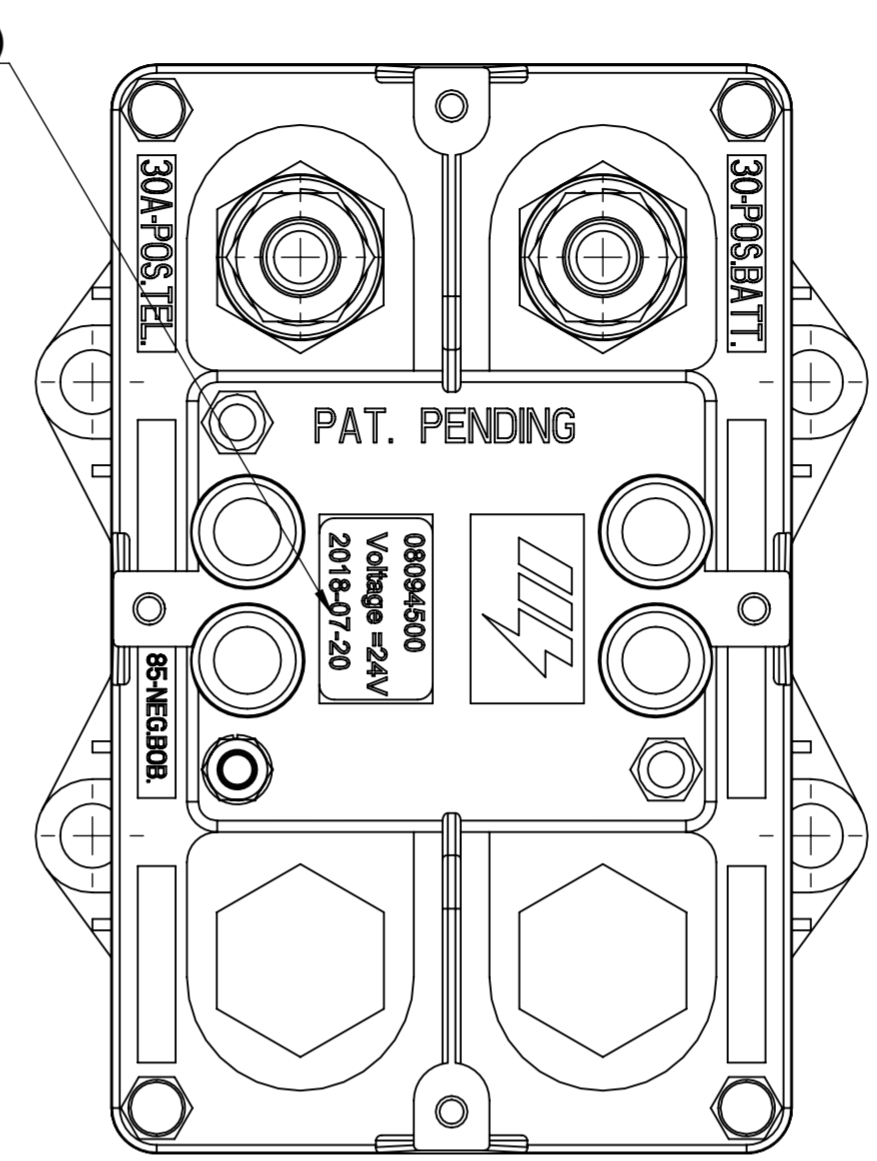
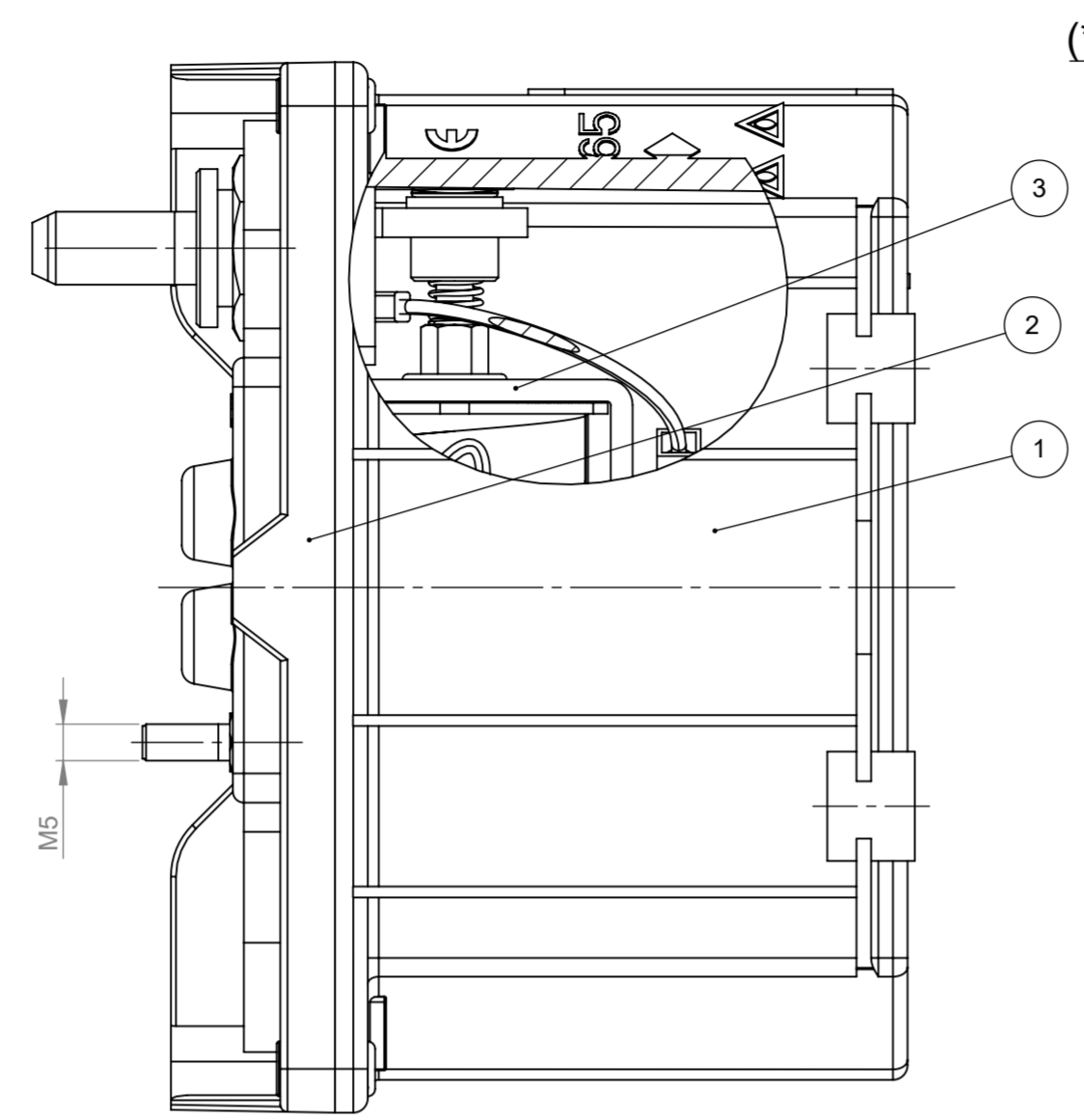
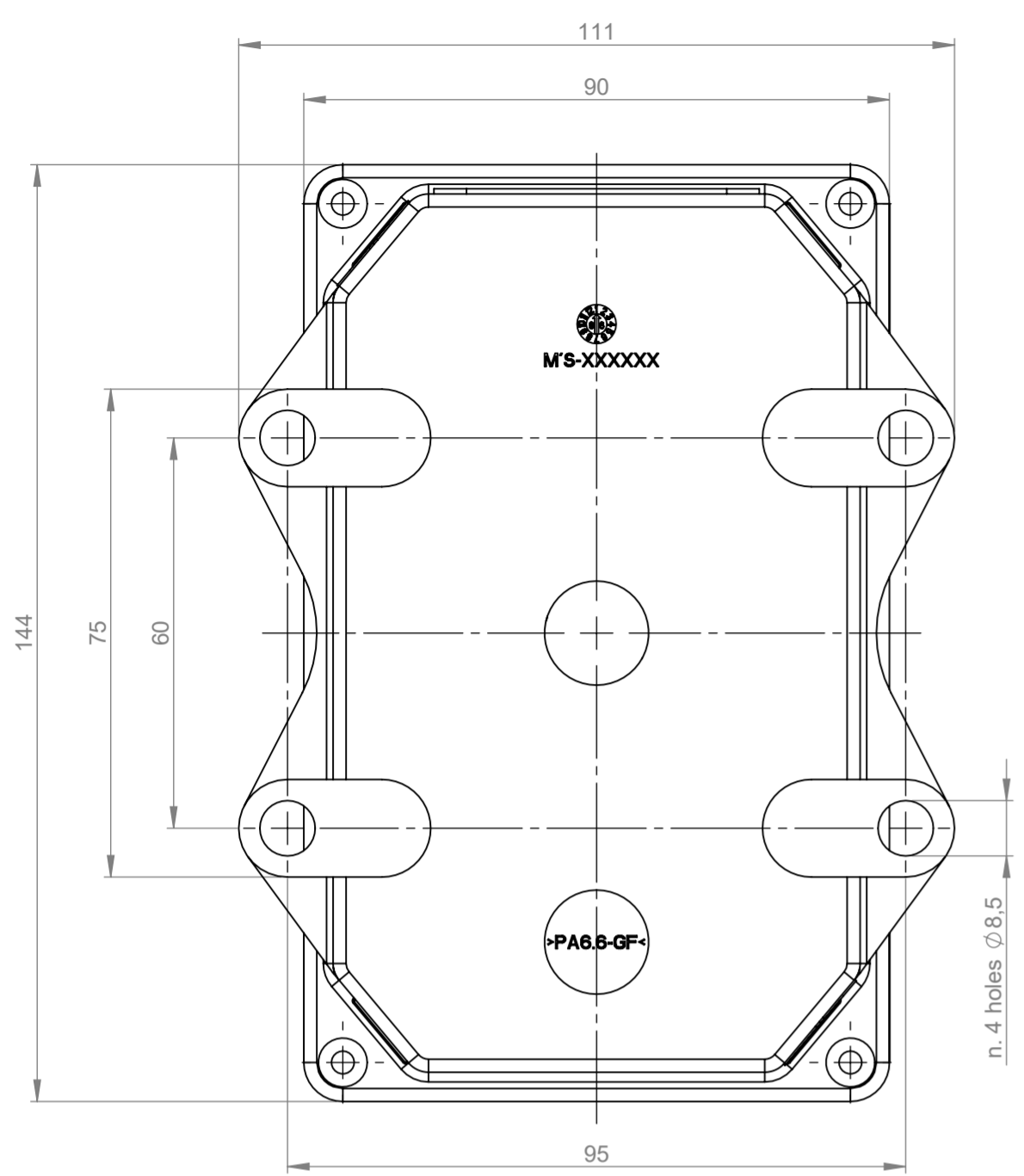


THIS DRAWING AND THE INFORMATION CONTAINED WITHIN IT ARE CONFIDENTIAL AND MAY NOT BE COPIED OR DISCLOSED WITHOUT THE WRITTEN PERMISSION OF LITTELFUSE.

REVISIONS		DATE	DESIGNED	APPROVED
REV. A	FIRST ISSUE OF OUTLINE DRAWING	24-June-2020	Gasparini	Tinto



LEGEND
 1) Box
 2) Top cover
 3) Electrical BDS

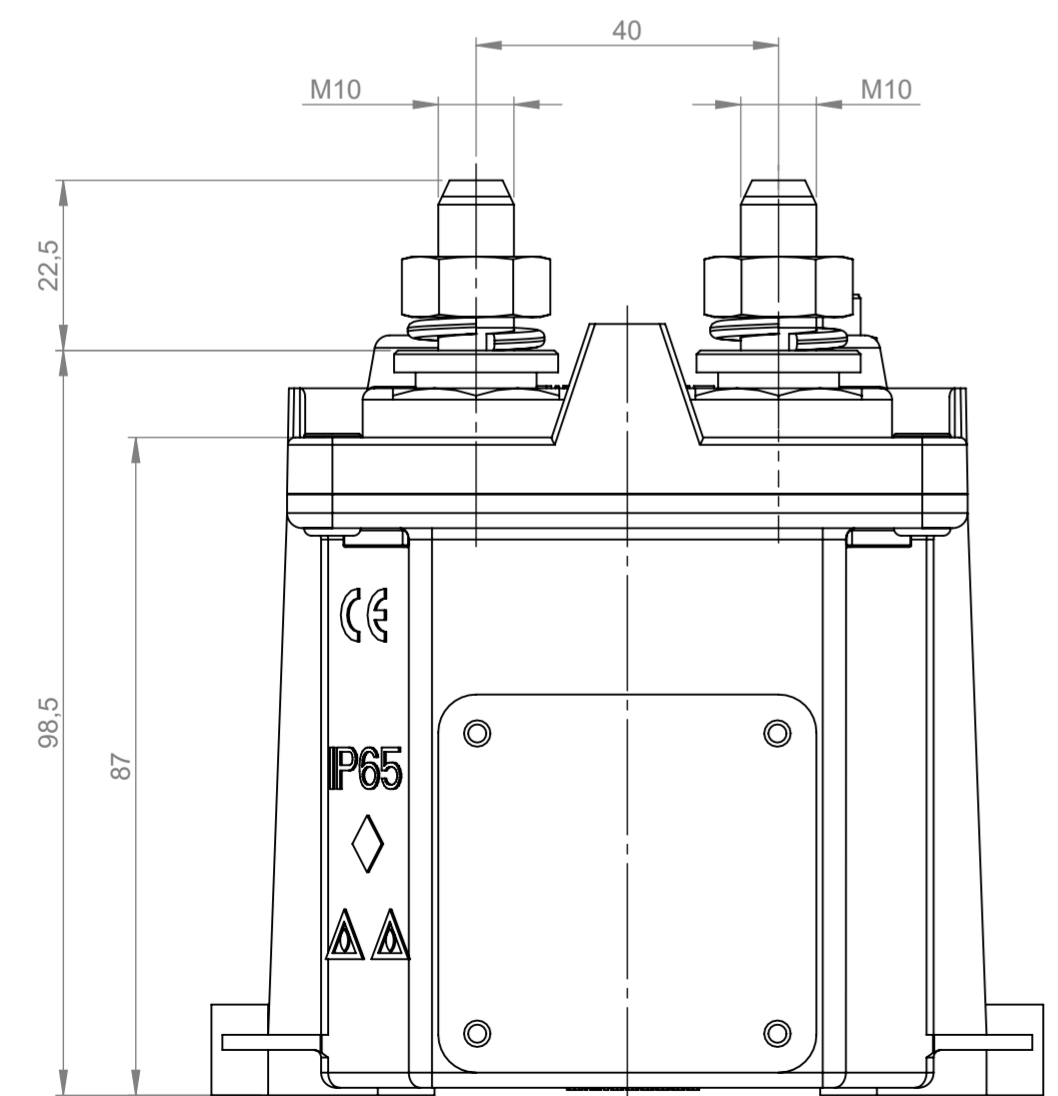
(*) label showing manufacturing date

MECHANICAL CHARACTERISTICS

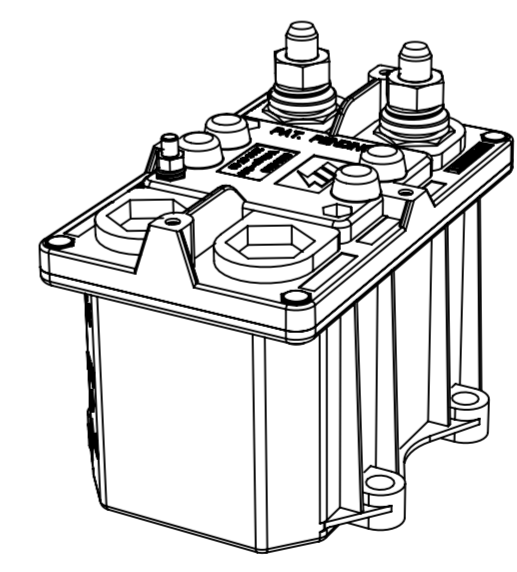
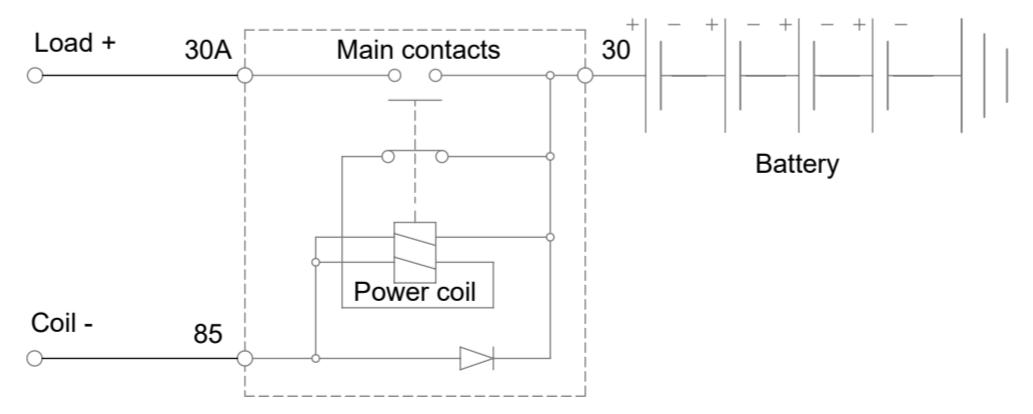
- Number of mechanical and electrical operations: 100.000
- Tightening torque M10: 20 Nm
- Tightening torque M5: 2 Nm

ELECTRICAL CHARACTERISTICS

- Working voltage range to keep ON: 12 + 32V in working temp. range
- Voltage to switch OFF to ON: 14,5V @23°C
- Voltage to switch ON to OFF: 4,8 + 10,3V @23°C
- Maximum continuous current on main contacts: 250A @23°C
- Maximum short time (30sec) current on main contacts: 2000A @23°C



ELECTRICAL DIAGRAM



SCALE 1 : 2

SAP drawing number:

Material and treatments:

DIMENSIONS AND TOLERANCES IN MILLIMETERS, DEFINED ACCORDING TO ISO 1101-2017.	
linear dimensions	
0,5 3 ±0,2	>3 6 ±0,3
>6 30 ±0,5	>30 120 ±0,8
>120 400 ±1,2	>400 1000 ±2
>1000 2000 ±3	
angle (for range of lengths)	
up to 10 ±1°30'	>10 50 ±1°
>50 120 ±0°30'	>120 400 ±0°15'
●	FIT/ FUNCTION CRITICAL CHARACTERISTICS SYMBOL
<S>	SAFETY/ COMPLIANCE CRITICAL CHARACTERISTICS SYMBOL
CPK	DENOTES CPK DIMENSIONS MINIMUM CPK VALUE
ST	DENOTES A CHARACTERISTIC THAT PROVIDES AN INDICATION OF PROCESS PERFORMANCE. PROCEDURE FOR MEASUREMENT AND TRACKING TO BE DEFINED IN LITTELFUSE INSPECTION INSTRUCTIONS
CP	DENOTES CP DIMENSIONS. MINIMUM CP VALUE MUST BE WITHIN THE DIMENSIONAL LIMITATIONS SHOWN ON DRAWING AND INITIALLY LOCATED TO ALLOW FOR MAXIMUM TOOL LIFE
NAME	DATE
DRAWN L. Dal Molin	17/05/2019
CHECKED -	-
-	-
-	-
FORM NO. CVP-PE40-0013 REV A	TITLE
FIRST ANGLE PROJECTION	ELECTRICAL BDS 24V (+)
SIZE: A2	DWG. NO. OL-08094500
SCALE 1:1	OUTLINE REV. Tinto
DO NOT SCALE DRAWING	SHEET 1 OF 1

