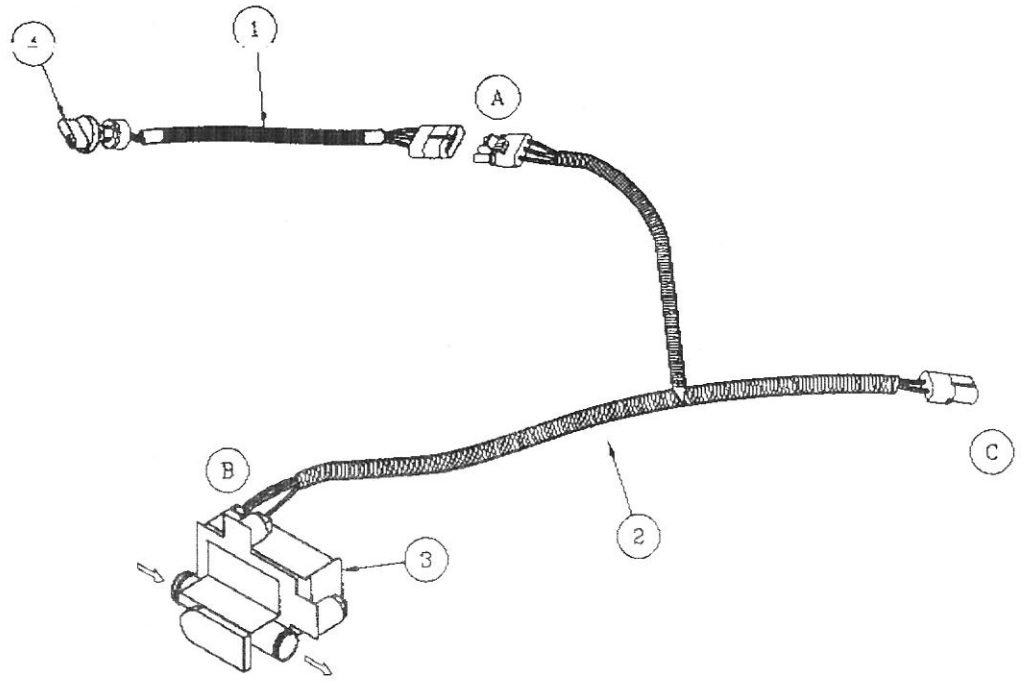


+46176207810 MCKLIMATSYSTEM-----
 774 501 09.08.99 15:32

ATTN: KUKA



NOTES :

CONTROL KIT FOR 2-WAY MOTORIZED VALVE.
FOR 24V APPLICATIONS.

CONNECTOR DETAILS:

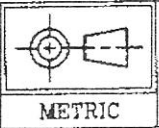
- A - 3-WAY PACKARD WEATHER PACK CONNECTS TO CONTROL POTENTIOMETER ASSY. EXTENSION WIRE CAN BE MADE FOR LONGER DISTANCE TO CONTROL PANEL.
WIRE LENGTH FROM C TO A: 530 ±5mm.
 - B - CONNECTOR TO MOTORIZED VALVE.
WIRE LENGTH FROM C TO B: 530 ±5mm.
 - C - POWER IN, 2-WAY PACKARD WEATHER PACK. RED +12V/24V, BLACK GND. MATING CONNECTOR PACKARD 12015792 (MCC 31-1025) WITH TERMINAL 12124580 (MCC 31-1026).
- TOTAL WIRE LENGTH FROM C TO POTENTIOMETER: 630 ±5mm.

4	1	25-0581	KNOB
3	1	26-0666	2-WAY MOTORIZED VALVE ASSY.
2	1	25-1147	WIRING HARNESS (24V)
1	1	35-0036	POTENTIOMETER ASSY.

CHECK BY:	DATE:	SYM	PCS	PART NO.	DESCRIPTION
-----------	-------	-----	-----	----------	-------------

REV	DESCRIPTION	DATE	BY

THIS PRINT IS PROVIDED ON A RESTRICTED BASIS AND IS NOT TO BE USED IN ANY WAY DETRIMENTAL TO THE INTEREST OF MOBILE CLIMATE CONTROL INC.



19-0198
2-WAY MOTORIZED VALVE KIT 24V

SCALE:	NTS	BY:	JAP
DATE:	JUN 08, 1999		
DWG:	P3-9746	REV:	0