



Brake caliper  
tool

K 239



## SAFETY AND PRECAUTION

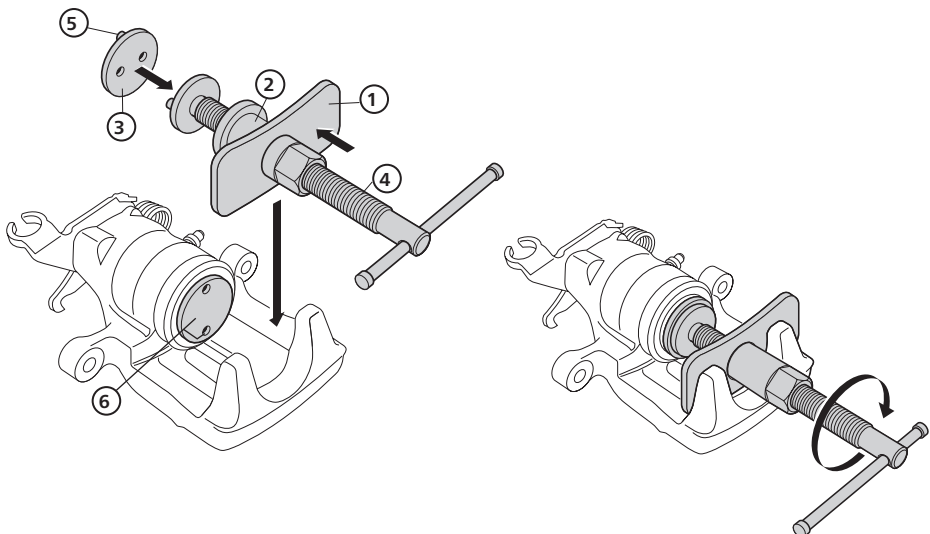
- 1 Always follow instructions provided by the vehicle manufacturer regarding handling and safety measures.
- 2 Always use safety clothes such as gloves and goggles.

## PRODUCT SPECIFICATIONS

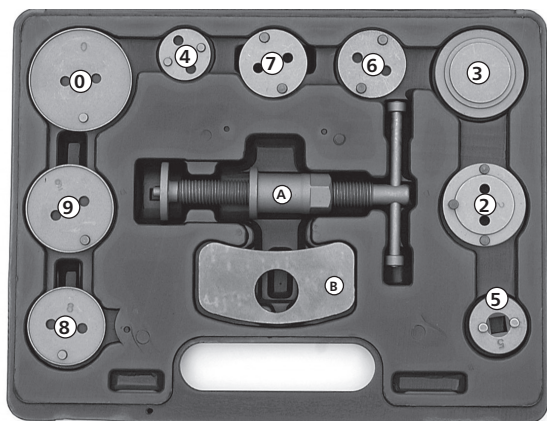
The set contains one wind back tool a reaction plate and 9 adapters, see specification. More adapters can be found on [www.kamasatools.com](http://www.kamasatools.com) under the heading for K 239.

## OPERATION INSTRUCTIONS

- 1 Remove the caliper from its carrier and take out the brake pads
- 2 Fit the reaction plate (1) on the wind back tool (2) and fit it into the caliper.
- 3 Select the correct adapter (3) and fit it to the end of the thrust bolt (4)
- 4 Turn the thrust bolt clockwise to compensate for the distance between the piston and caliper body. Continue rotating the thrust bolt clockwise, until the pegs of the adaptor (5) are centered and correctly located into the mating recesses in the piston (6).
- 5 Turn the thrust bolt to wind the caliper piston into its housing.
- 6 Fit the new brake pads and bolt the caliper back into the carrier.



## INCLUDED ADAPTERS



Pos.	Stock No.	Description
A	KR 239 A	Wind back tool
B	KR 239 B	Reaction plate
0	KR 244 0	Adapter
2	KR 244 2	Adapter
3	KR 244 3	Adapter
4	KR 244 4	Adapter
5	KR 244 5	Adapter
6	KR 244 6	Adapter
7	KR 244 7	Adapter
8	KR 244 8	Adapter
9	KR 244 9	Adapter



K 239

[www.kamasatools.com](http://www.kamasatools.com)