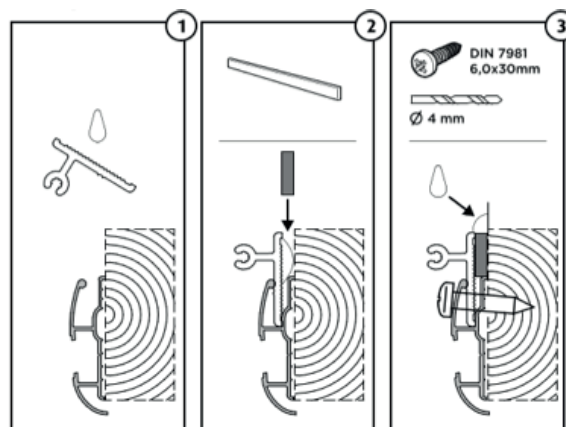


# Thule Bike Rack Adapter for Hobby 2015 Caravans



## INFO

- Adapter to install a Thule Sport G2 Hobby bike rack on Hobby Caravans as from 2015
- These Caravans have a special rail and limited space above the rear window which makes it impossible to install the standard Thule Sport G2 Hobby bike rack
- The adapter is a rectangular aluminum profile cut to length
- To install the bike rack, the mounting profile included with the Thule Sport G2 Hobby needs to be mounted upside down in the Hobby rail. The adapter perfectly fits the gap between the mounting rail and the vehicle
- This Thule adapter is officially approved by Hobby Wohnwagenwerk
- For Hobby Caravans that are standard equipped with the Thule bike rack by Hobby Wohnwagenwerk this adapter is not needed because a cut out is made in the Hobby rail
- The Thule Adapter for Hobby Caravans 2014 (ref.: 307174) cannot be used due to the shape of the new Hobby rail and the brake light in the center
- To be used in combination with Thule Sport G2 Hobby bike rack (ref.: 307128)
- Adapter profile dimensions: length 715mm, height 15mm, thickness 5mm
- Content:
  - 10x adapter rail for Hobby caravans as from 2015

307330

Thule Bike Rack Adapter for Hobby 2015 Caravans (per 10 pcs)