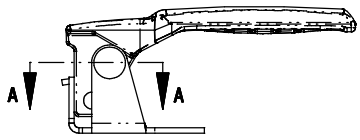
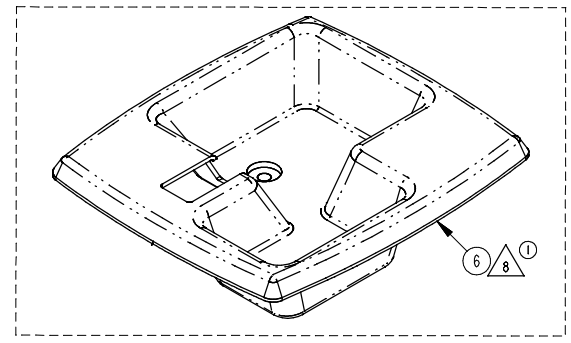
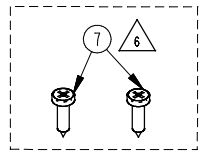
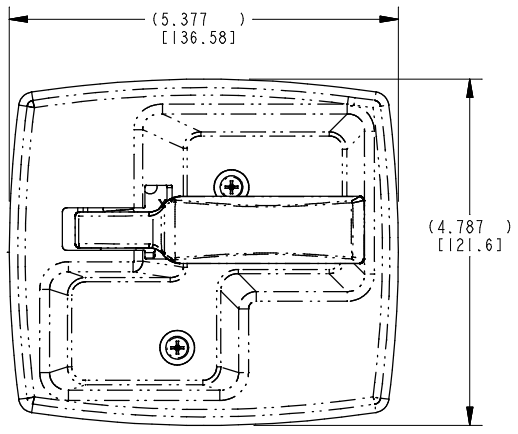
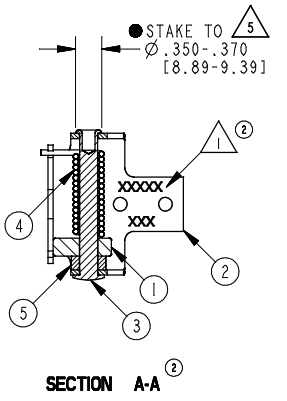
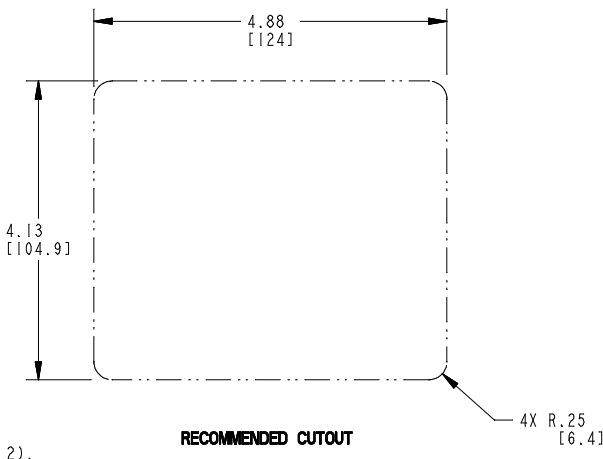
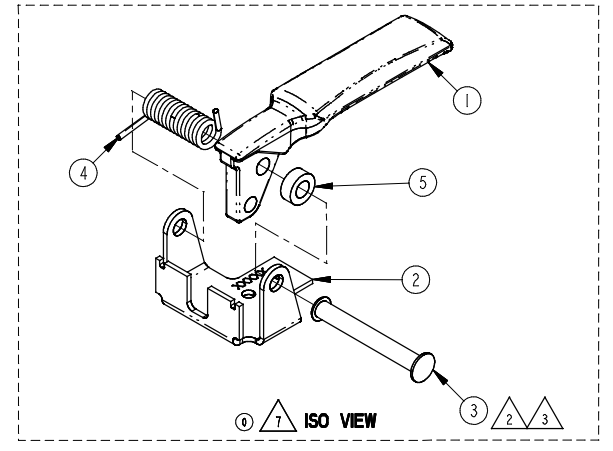


PART NUMBER	ITEM 1 HANDLE (QTY)	ITEM 2 RETAINER (QTY)	ITEM 3 RIVET (QTY)	ITEM 4 SPRING (QTY)	ITEM 5 WASHER (QTY)	ITEM 6 BEZEL (QTY)	ITEM 7 SCREW (QTY)	FINISH ④	PART MARKS ① ②
23015-01 030-1425,CNC,LH, INSBZL,NLKG	21427-03 (1)							PLATE,COPPER-NICKEL-CHROME PER ES-103	
23015-02 030-1425,LGB,LH INSBZL,NLKG	21427-01 (1)	11293-16 (1)	80984-15 (1)	22541-01 (1)	80985-00 (1)	22997-01 (1)	80986-40 (2) (8-18X.625)	PAINT,BLACK,LOW GLOSS PER ES-105	23015
23015-03 030-1425,CNC,LH, INSBZL,NLKG	27836-01 (1)							PLATE,COPPER-NICKEL-CHROME PER ES-103	

REVISION	ESN	ECN	BY	DESCRIPTION
0	RLSE		BJP/KPE 9/15/06	ADDED NOTES 6, 7, AND 8; UPDATED ISO VIEW; RELEASED FOR PRODUCTION
1	06341		RLO 6-30-07	UPDATED VIEWS; BEZEL (ITEM 6), PART WEIGHT, SURFACE AREA.
2	23302		RLO 9-18-09	ADDED -03 VERSION, PART MARKING COLUMN. UPDATED PART MARK, SECTION A-A. REMOVED SURFACE AREA.



BEZEL (ITEM 6), SCREWS (ITEM 7)  
OMITTED FOR CLARITY



- NOTES: UNLESS OTHERWISE SPECIFIED;
- ① STAMP RETAINER (ITEM 2) WITH PART NUMBER AND DATE CODE PER ES-121. LOCATE APPROXIMATELY AS SHOWN.
  - ② APPLY ALPHA 2000 TO Ø.250 OF RIVET (ITEM 3) BEFORE ASSEMBLY.
  - ③ RIVET (ITEM 3) MAY BE INSTALLED FROM EITHER SIDE OF RETAINER (ITEM 2).
  - ④ FINISH IS FOR REFERENCE ONLY.
  - ⑤ STAKE END OF RIVET: AVOID EXCESSIVE STAKING FORCE RESULTING IN EXCESSIVE DEFORMATION OF RETAINER (ITEM 2).
  - ⑥ SEAL SCREWS (ITEM 7) IN CORNER OF BAG.
  - ⑦ SEAL HANDLE ASSEMBLY IN BOTTOM OF BAG.
  - ⑧ SEAL BEZEL (ITEM 6) IN TOP OF BAG.

UOS: THE -00 VERSION SHALL BE THE UNFINISHED VERSION OF PART SHOWN. TOLERANCES UNLESS OTHERWISE SPECIFIED AIDS ASME Y14.5M-1994 INCH MILLIMETER X.X ±.1 X ±.3 X.XX ±.03 X.X ±.09 X.XXX ±.010 X.XX ±.25 ANGLES X° ±.3° X.X° ±1.0° X.XX° ±.50°		DRAWN BY BJP 6/2/06 CHECKED BY KPE 6/2/06 PROJECT 03086 PRODUCT CODE C32 (030-1425)		<b>TriMark</b> 500 Bailey Avenue P. O. Box 350 New Hampton, Iowa 50659 U.S.A. Tel: 641-394-3188 Fax: 641-394-2392	
REF. T/M OF 4.20-2 FOR SUP. QUALITY REQ. REF. T/M OF 4.20-3 FOR INT. QUALITY REQ.		DO NOT SCALE DRAWING		This drawing and the information contained herein is the property of TriMark Corporation and shall not be used for any purpose without our written consent.	
PART WEIGHT (0.95 LBS)		SURFACE AREA (12)		DESCRIPTION SEE TABLE	
SIZE C		SCALE 0.75		PART NUMBER 23015-XX	