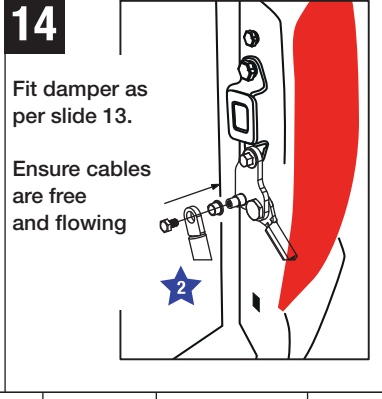
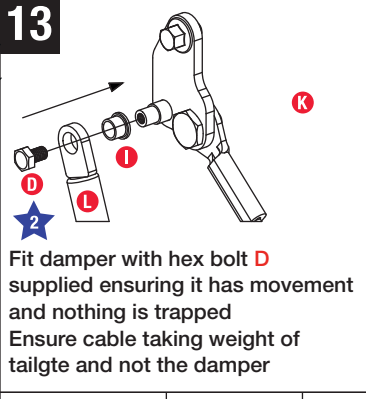
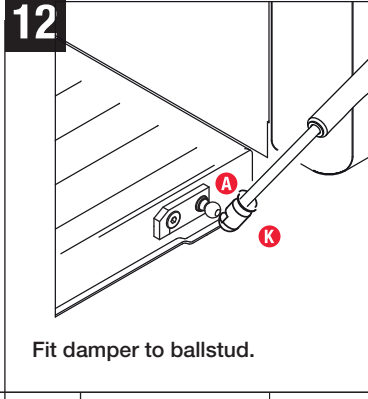
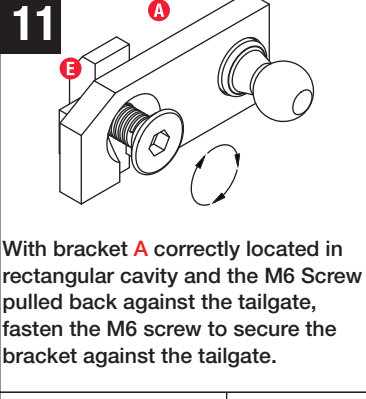
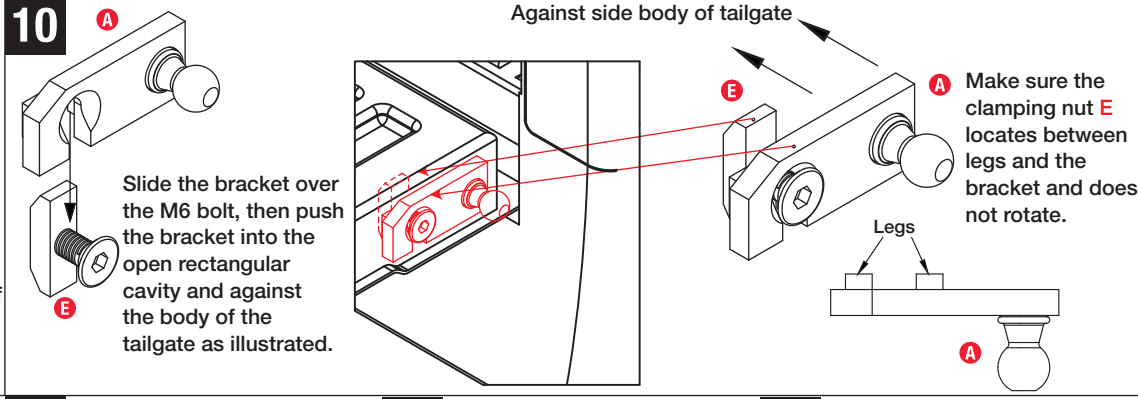
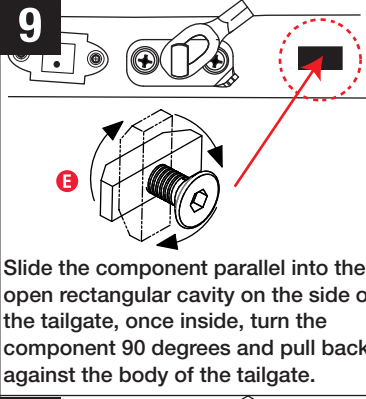
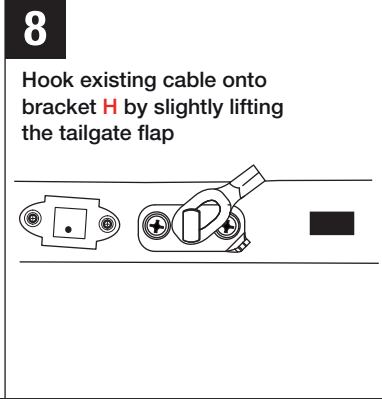
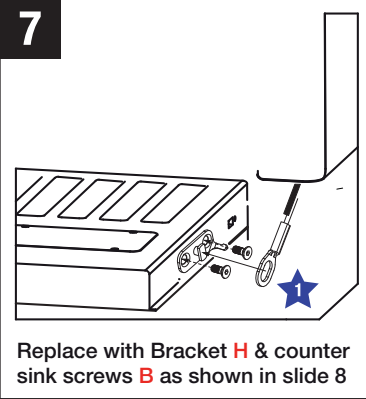
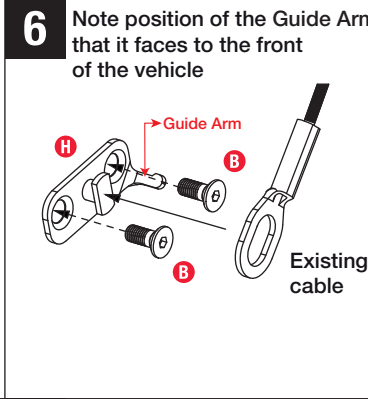
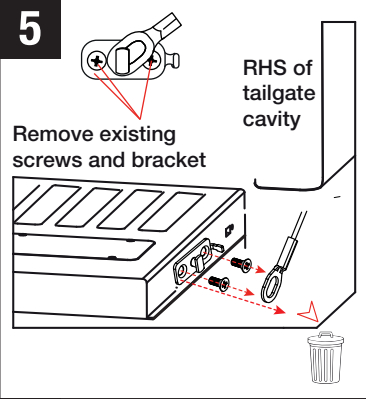
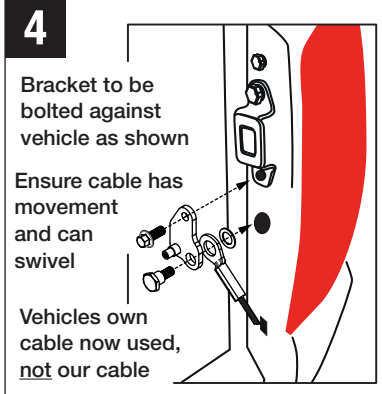
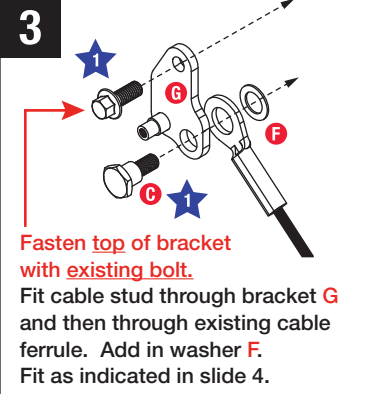
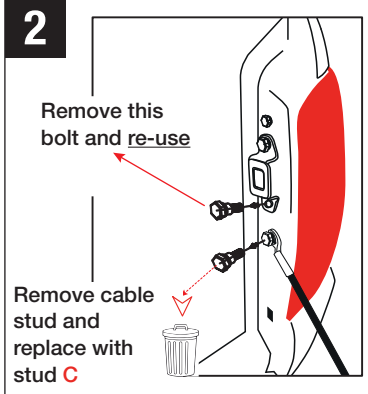


**EZDown Instruction
1st Fitment**

MITSUBISHI ED0195

1
RHS and LHS are determined when sitting in the Drivers side of the Vehicle.



FITTING CODE	MANUFACTURER	MODEL TYPE	YEAR	STOCKIST	PRODUCT	REVISION	LABOUR	DATE	PAGE
ED0195	MITSUBISHI	TRITON	2017+	DEALERSHIPS	EZDOWN	3	20min	19/06/2019	1
TORQUE - N.m	★ 27N.m±2N.m		★ 2	15N.m±2N.m		www.ezdown.co.za			

NB: After installation please close tailgate gently to ensure that there is no interference with any hardware.

