

# Coolant Powered **HYDRAULIC FLUID HEATER**



AFCPHH-010520



Productivity won't wait for a warm day. Eliminate down time due to cold hydraulic fluid. Arctic Fox® Hydraulic Fluid Warming has a number of solutions to keep hydraulic fluid flowing and reduce pump cavitation and blown seals.

There is an Arctic Fox® for nearly every application and a complete line of plumbing and insulating accessories provides users with a total package. Let us help you spec your equipment both mobile and stationary.

## Function

Heats hydraulic fluid, water and other fluid to improve productivity.

## Applications

Logging  
Construction  
Mining  
Utility & Maintenance Vehicles  
Gas and oil  
Gearboxes

## Features

All stainless steel construction  
Large surface area exposed to fluid to maximize heat raise  
Threads into standard 2" NPT female pipe thread or standard 2" Straight Thread-O-ring (STOR) coupling  
Ability to install multiple units for larger tanks or faster heat rise

## Benefits

Reduce Pump Cavitation and Resulting Damage - oil flow free when warm  
Faster Hydraulic operation  
Increases productivity - reduces idle equipment and workers waiting for hydraulic to warm up  
Can be used for heating hydraulic fluid, water and or other fluids



**ARCTIC-FOX®**

### Arctic Fox®

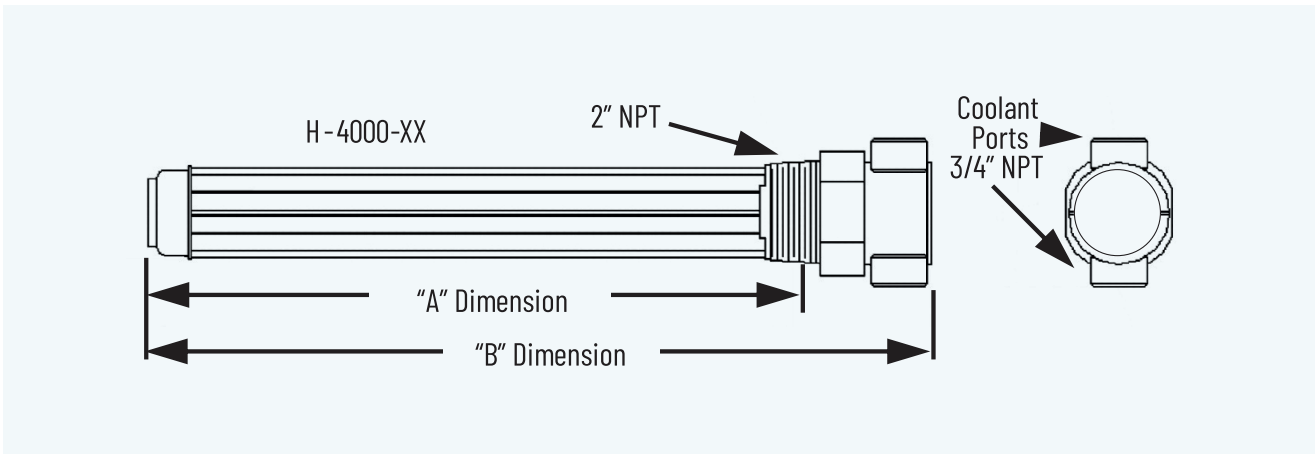
De Stok 24, 4703 SZ Roosendaal  
The Netherlands  
T. +31 (0)165 55 92 45  
F. +31 (0)165 54 96 40  
info@arctic-fox.eu  
www.arctic-fox.eu

**Productivity won't wait for a warm day.**



**Using 3D software?  
Try out our models!**

Contact us at [info@arctic-fox.eu](mailto:info@arctic-fox.eu)  
and start engineering.

**Specifications** (dimensions in millimetres)**H-4000-8**

"A" Dimension	"B" Dimension	Surface Area	Kilowatts	Application To -29 °C	Application To -40 °C
178 mm	254 mm	8 dm <sup>2</sup>	Water 1 Oil 0,5	Up to 76 Liters	Up to 38 Liters

**H-4000-12**

"A" Dimension	"B" Dimension	Surface Area	Kilowatts	Application To -29 °C	Application To -40 °C
280 mm	356 mm	12 dm <sup>2</sup>	Water 2 - Oil 1	Up to 133 Liters	Up to 53 Liters

**H-4000-16**

"A" Dimension	"B" Dimension	Surface Area	Kilowatts	Application To -29°C	Application To -40 °C
381 mm	457 mm	16 dm <sup>2</sup>	Water 3 - Oil 1,5	Up to 190 Liters	Up to 72 Liters

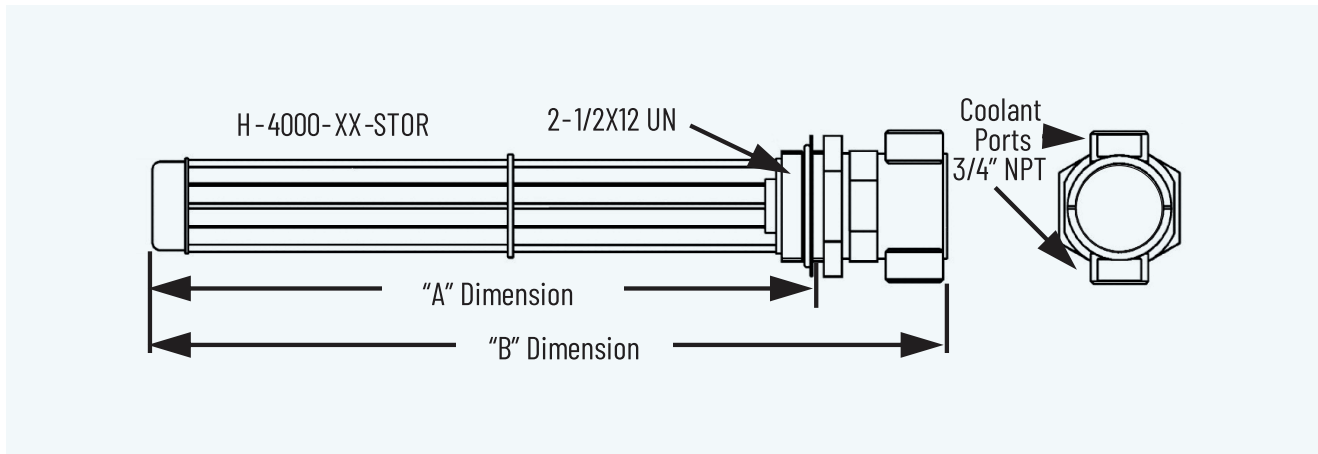
**H-4000-20**

"A" Dimension	"B" Dimension	Surface Area	Kilowatts	Application To -29°C	Application To -40 °C
483 mm	559 mm	20 dm <sup>2</sup>	Water 4- Oil 2	Up to 239 Liters	Up to 90 Liters

**H-4000-24**

"A" Dimension	"B" Dimension	Surface Area	Kilowatts	Application To -29°C	Application To -40 °C
584 mm	660 mm	24 dm <sup>2</sup>	Water 5 - Oil 2,5	Up to 292 Liters	Up to 113 Liters

**Need more measurements?** Technical drawings are available on request. Please contact us at [info@arcticfox.eu](mailto:info@arcticfox.eu) or call +31 (0)165 55 92 45

**Specifications** (dimensions in millimetres)**H-4000-8-STOR**

"A" Dimension	"B" Dimension	Surface Area	Kilowatts	Application To -29 °C	Application To -40 °C
178 mm	254 mm	8 dm <sup>2</sup>	Water 1 Oil 0,5	Up to 76 Liters	Up to 38 Liters

**H-4000-12-STOR**

"A" Dimension	"B" Dimension	Surface Area	Kilowatts	Application To -29 °C	Application To -40 °C
280 mm	356 mm	12 dm <sup>2</sup>	Water 2 - Oil 1	Up to 133 Liters	Up to 53 Liters

**H-4000-16-STOR**

"A" Dimension	"B" Dimension	Surface Area	Kilowatts	Application To -29 °C	Application To -40 °C
381 mm	457 mm	16 dm <sup>2</sup>	Water 3 - Oil 1,5	Up to 190 Liters	Up to 72 Liters

**H-4000-20-STOR**

"A" Dimension	"B" Dimension	Surface Area	Kilowatts	Application To -29 °C	Application To -40 °C
483 mm	559 mm	20 dm <sup>2</sup>	Water 4 - Oil 2	Up to 239 Liters	Up to 90 Liters

**H-4000-24-STOR**

"A" Dimension	"B" Dimension	Surface Area	Kilowatts	Application To -29 °C	Application To -40 °C
584 mm	660 mm	24 dm <sup>2</sup>	Water 5 - Oil 2,5	Up to 292 Liters	Up to 113 Liters

**Need more measurements?** Technical drawings are available on request. Please contact us at [info@arcticfox.eu](mailto:info@arcticfox.eu) or call +31 (0)165 55 92 45

## Specifications Weld on Tank Adapters

### A-3228HD

Description	Application
Steel-Schedule 80 2" NPT Female Coupling	Preferred for most installations on steel tanks

### A-3228AHD

Description	Application
Aluminum T-6061-Schedule 80 2" NPT Female Coupling	Preferred for most installations on aluminum tanks

### A-3228HD-STOR

Description	Application
Steel-Combination 32 STOR & 2" NPT	May be used to install either design Hydra Liner

### A-3228SSHD-STOR

Description	Application
Stainless Steel-Combination 32 STOR & 2" NPT	May be used to install either design Hydra Liner

### A-5878HD

Description	Application
Steel-Half Coupling-32 STOR	Used when external tank clearance is limited

### A-5878SSHD

Description	Application
Stainless Steel-Half Coupling-32 STOR	Used when external tank clearance is limited

### IS43THCK

Description	Application
Stainless Steel-2" NPT Half Coupling 300#	Preferred for most installations on Stainless Steel Tanks

### V6216

Description	Application
Steel-Half Coupling-32 STOR	Used when external tank clearance is limited

### TWF-32

Description	Application
Steel-Flange 32 STOR	Used when external clearance is limited

### TWF-32N

Description	Application
Steel-Flange 2" NPT	Used when external clearance is limited

**Need more measurements?** Technical drawings are available on request. Please contact us at [info@arcticfox.eu](mailto:info@arcticfox.eu) or call +31 (0)165 55 92 45