

# ARG Series Raw Water Strainers

## Installation and Maintenance

**Installation:** Install ARG series strainers vertically oriented above the outside waterline if possible.

**For sizes 500, 750, 1000 and 1250,** fasten the bronze upper bracket to a stringer or bulkhead. Hang the strainer in the bracket and then mark the location for the lower bracket (with the open side facing up). Locate the lower bracket so the strap engages the sight glass about 1" above the drain wingnut. Remove the strainer from the upper bracket, fasten the lower bracket to the bulkhead, and hang the strainer once again in the upper bracket. The sight glass should now rest squarely against the lower bracket. Run the strap around the sight glass and lower bracket and pull it tight. The strap is releasable and reusable.

**For sizes 1500, 2000, 2500 and 3000,** fasten the strainer head loosely to a bulkhead or stringer. Slide the lower bracket (open side facing up) between the bulkhead and the sight glass until it fits snugly without play. Mark the location of the lower bracket; it should be 1" - 2" above the drain wingnut. Remove the strainer, and securely fasten the lower bracket. Fasten the strainer loosely once again by its upper bracket and verify that the sight glass rest squarely against the lower bracket. Run the strap around the sight glass and lower bracket and pull it tight. Tighten the upper mount bolts. The strap is releasable and reusable.

**Bonding:** GROCO strainers are provided with two (2) bonding fasteners on the head casting, located between the mount bracket and the body. Use either of these fasteners to connect the strainer to the vessel bonding system using 14-gauge (or larger) stranded copper wire and a ring terminal. The bonding connection may also be made at any of the bolts that secure the sight glass to the head casting.

**Warning:** Motorized equipment is to have a separate connection to the vessel AC grounding bus in accordance with ABYC, E-11, Figure-18. DO NOT make the strainer bonding connection in series with motorized equipment. It is permissible to make the bonding connection in series with non-motorized equipment such as seacocks or thru-hull fittings.

**Non-metallic Filter Baskets:** GROCO® offers ARG-P series strainers with non-metallic filter. The corrosion-proof non-metallic baskets are an advantage in continuous running or high usage installations such as air conditioning, generators, or refrigeration systems where the continuous flow of sea water shortens filter basket life.



**ARG-P SERIES with Non-Metallic Filter Basket**

Non-metallic baskets are interchangeable with metallic baskets. Monel filter baskets are available on special order. Refer to the replacement parts section for more information.

**Maintenance:** Inspect and clean the filter basket frequently. A seasonal application of water-proof grease that is Silicon or Teflon® based (do not use Petroleum based grease) to the cap threads and o-ring will assure easy cap loosening for inspections and cleaning.

Use only mild soapy water to clean the sight glass.

Hand-tight is sufficient for a safe and leak-proof seal following cap removal and replacement, but if you wish to "snug" the cap use GROCO® SW-2531 Spanner Wrench.

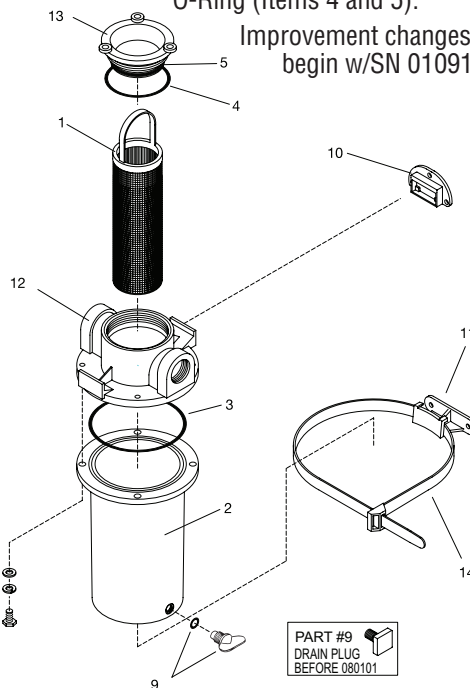
**Multiple Consumers from a single strainer:** Connecting multiple consumers of filtered water to a single strainer is not recommended, but we realize that some installers will do this to reduce cost and save space. To prevent dangerous flow restrictions to one or more of the connected consumers use a GROCO® RWM series Raw Water Manifold.

**Self-Cleaning Strainers:** If the frequency of filter basket cleanings becomes difficult because of debris-laden water or water filled with sea grass or jelly fish, consider a GROCO® Hydromatic self-cleaning strainer.

**SVC NOTES:** Plastic Strainer Cap fits all Older Models.

A design improvement necessitates changes to the cap (Item-13) and Cap O-Ring (Items 4 and 5).

Improvement changes begin w/SN 010910.



**PART #9 DRAIN PLUG BEFORE 080101**

Kil Item	Name	Qty	ARG-750	ARG-755	ARG-500	ARG-503	ARG-503	ARG-1003	ARG-1210	ARG-1250	ARG-1500	ARG-2015	ARG-2000	ARG-2515	ARG-2520	ARG-2500	ARG-2503	ARG-1503	ARG-2003	ARG-3020	ARG-3025	ARG-3000
1	Basket, SS	1	SS-69-C	SS-69-B	SS-69-B	SS-69-B	SS-76-B	SS-76-B	SS-76-B	SS-76-C	SS-85-G	SS-85-G	SS-85-H	SS-85-O	SS-85-J	SS-85-J	SS-85-R	SS-85-Q	SS-85-R	SS-85-F	SS-85-K	SS-85-K
	Basket, Plastic	1	PS-69-C	PS-69-B	PS-69-B	PS-69-B	PS-76-B	PS-76-B	PS-76-B	PS-76-C	PS-85-G	PS-85-G	PS-85-H	PS-85-O	PS-85-J	PS-85-J	PS-85-R	PS-85-Q	PS-85-R	PS-85-F	PS-85-K	PS-85-K
2	Sight Glass w/Drain Plug (AFTER 080101)	1	ARG-753	ARG-753	ARG-503	ARG-503	ARG-1003	ARG-1003	ARG-1003	ARG-1263	ARG-1503	ARG-1503	ARG-2003	ARG-2003	ARG-2503	ARG-2503	ARG-2503	ARG-1503	ARG-2003	ARG-3003	ARG-3003	ARG-3003
3	O-Ring	1	2-153	2-153	2-153	2-153	2-157	2-157	2-157	2-157	2-256	2-256	2-256	2-256	2-256	2-256	2-256	2-256	2-256	2-256	2-256	2-256
4	O-Ring	1	2-228	2-228	2-228	2-228	2-232	2-232	2-232	2-232	2-232	2-232	2-232	2-232	2-232	2-232	2-232	2-232	2-232	2-232	2-232	2-232
5	O-Ring	1	2-135	2-135	2-135	2-135	2-229	2-229	2-229	2-229	2-234	2-234	2-234	2-234	2-234	2-234	2-234	2-234	2-234	2-234	2-234	2-234
6	Washer	4	PFW-2 Set	PFW-2 Set	PFW-2 Set	PFW-2 Set	PFW-2 Set	PFW-2 Set	PFW-2 Set	PFW-2 Set	PFW-2 Set	PFW-2 Set	PFW-2 Set	PFW-2 Set	PFW-2 Set	PFW-2 Set	PFW-2 Set	PFW-2 Set	PFW-2 Set	PFW-2 Set	PFW-2 Set	PFW-2 Set
7	Lockwasher	4	14SS	14SS	14SS	14SS	14SS	14SS	14SS	14SS	14SS	14SS	14SS	14SS	14SS	14SS	14SS	14SS	14SS	14SS	14SS	14SS
8	Screw	4	1420X34HS	1420X34HS	1420X34HS	1420X34HS	1420X34HS	1420X34HS	1420X34HS	1420X34HS	1420X34HS	1420X34HS	1420X34HS	1420X34HS	1420X34HS	1420X34HS	1420X34HS	1420X34HS	1420X34HS	1420X34HS	1420X34HS	1420X34HS
9	Drain Plug with O-Ring (BEFORE 080101)	1	ARG-506	ARG-506	ARG-506	ARG-506	ARG-506	ARG-506	ARG-506	ARG-506	ARG-506	ARG-506	ARG-506	ARG-506	ARG-506	ARG-506	ARG-506	ARG-506	ARG-506	ARG-506	ARG-506	ARG-506
9	Drain Plug with O-Ring (AFTER 080101)	1	ARG-756	ARG-756	ARG-756	ARG-756	ARG-756	ARG-756	ARG-756	ARG-756	ARG-756	ARG-756	ARG-756	ARG-756	ARG-756	ARG-756	ARG-756	ARG-756	ARG-756	ARG-756	ARG-756	ARG-756
*	O-Ring only for ARG-506	1	2-011	2-011	2-011	2-011	2-011	2-011	2-011	2-011	2-011	2-011	2-011	2-011	2-011	2-011	2-011	2-011	2-011	2-011	2-011	2-011
*	O-Ring only for ARG-756	1	2-111	2-111	2-111	2-111	2-111	2-111	2-111	2-111	2-111	2-111	2-111	2-111	2-111	2-111	2-111	2-111	2-111	2-111	2-111	2-111
10	Bracket, Upper	1	ARG-505	ARG-505	ARG-505	ARG-505	ARG-1005	ARG-1005	ARG-1005	ARG-1005	ARG-1005	ARG-1005	ARG-1005	ARG-1005	ARG-1005	ARG-1005	ARG-1005	ARG-1005	ARG-1005	ARG-1005	ARG-1005	ARG-1005
11	Bracket, Lower	1	ARG-504	ARG-504	ARG-504	ARG-504	ARG-1004	ARG-1004	ARG-1004	ARG-1004	ARG-1004	ARG-1004	ARG-1004	ARG-1004	ARG-1004	ARG-1004	ARG-1004	ARG-1004	ARG-1004	ARG-1004	ARG-1004	ARG-1004
12	Head Casting	1	ARG-510-H	ARG-510-H	ARG-510-H	ARG-510-H	ARG-1010-H	ARG-1010-H	ARG-1010-H	ARG-1010-H	ARG-1010-H	ARG-1010-H	ARG-1010-H	ARG-1010-H	ARG-1010-H	ARG-1010-H	ARG-1010-H	ARG-1010-H	ARG-1010-H	ARG-1010-H	ARG-1010-H	ARG-1010-H
13	Cap, Plastic	1	ARG-501-PC	ARG-501-PC	ARG-501-PC	ARG-501-PC	ARG-1001-PC	ARG-1001-PC	ARG-1001-PC	ARG-1001-PC	ARG-1001-PC	ARG-1001-PC	ARG-1001-PC	ARG-1001-PC	ARG-1001-PC	ARG-1001-PC	ARG-1001-PC	ARG-1001-PC	ARG-1001-PC	ARG-1001-PC	ARG-1001-PC	ARG-1001-PC
	Cap, Bronze (BEFORE 010901)	1	ARG-501-B	ARG-501-B	ARG-501-B	ARG-501-B	ARG-1001-B	ARG-1001-B	ARG-1001-B	ARG-1001-B	ARG-1001-B	ARG-1001-B	ARG-1001-B	ARG-1001-B	ARG-1001-B	ARG-1001-B	ARG-1001-B	ARG-1001-B	ARG-1001-B	ARG-1001-B	ARG-1001-B	ARG-1001-B
	Cap, Bronze (AFTER 010901)	1	ARG-501-C	ARG-501-C	ARG-501-C	ARG-501-C	ARG-1001-C	ARG-1001-C	ARG-1001-C	ARG-1001-C	ARG-1001-C	ARG-1001-C	ARG-1001-C	ARG-1001-C	ARG-1001-C	ARG-1001-C	ARG-1001-C	ARG-1001-C	ARG-1001-C	ARG-1001-C	ARG-1001-C	ARG-1001-C
14	Strap	1	ARG-502	ARG-502	ARG-502	ARG-502	ARG-502	ARG-502	ARG-502	ARG-502	ARG-502	ARG-502	ARG-502	ARG-502	ARG-502	ARG-502	ARG-502	ARG-502	ARG-502	ARG-502	ARG-502	ARG-502
*	SERVICE KIT	1	ARG-1	ARG-1	ARG-1	ARG-1	ARG-2	ARG-2	ARG-2	ARG-2	ARG-3	ARG-3	ARG-3	ARG-3	ARG-3	ARG-3	ARG-3	ARG-3	ARG-3	ARG-3	ARG-3	ARG-3

© 1996 GROCO MECHANICAL LABORATORIES, INC. ALL RIGHTS RESERVED.