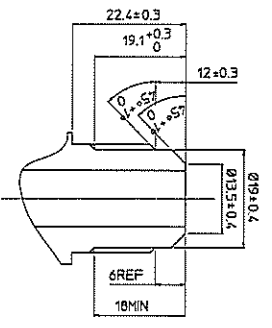
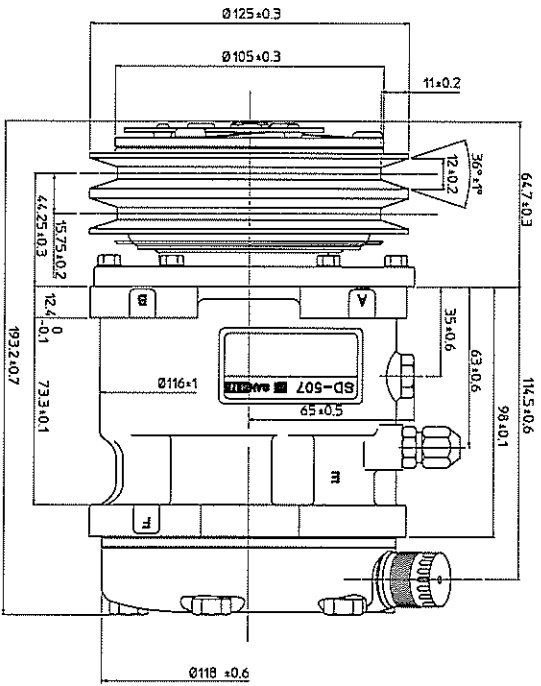
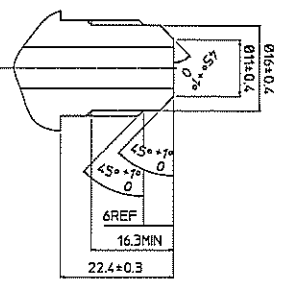
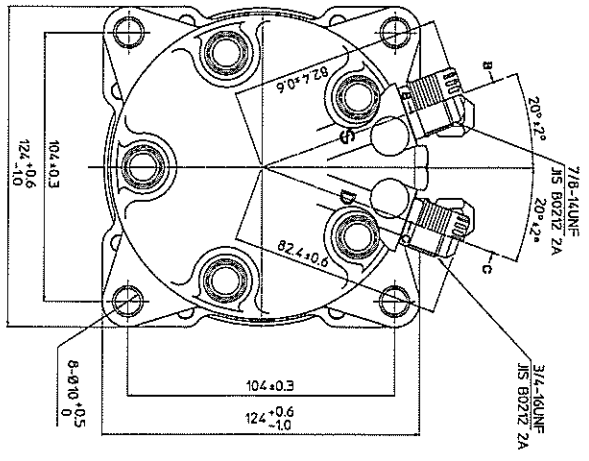


PARTIAL SECT A-A



PARTIAL SECT B-B (2x)



PARTIAL SECT C-C (2x)

COMPRESSOR SPECIFICATIONS

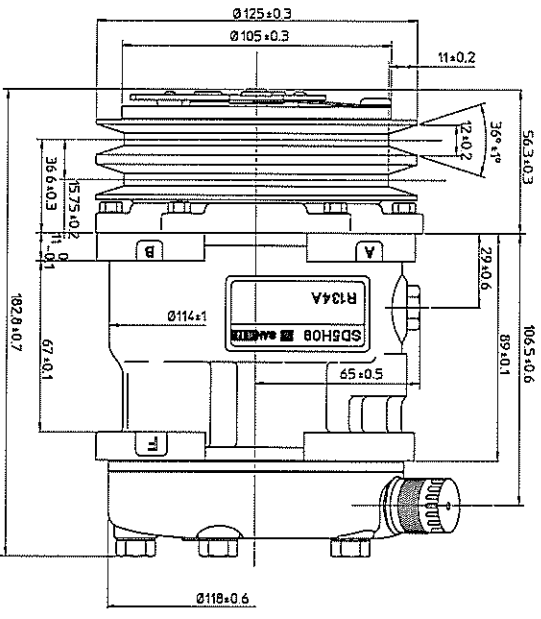
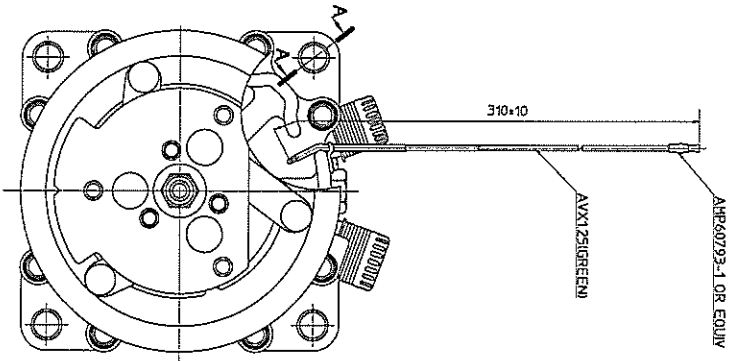
BORE	935 mm
STROKE	226 mm
DISPLACEMENT PER REVOLUTION	108 cc/rev
NUMBER OF CYLINDERS	5
MAXIMUM ALLOWABLE RPM	7000 RPM
MAXIMUM ALLOWABLE CONTINUOUS RPM	6000 RPM
REFRIGERANT	HFC134a
OLSP-20 OR EQUIV)	35 CC
ROTATION(CLOCKWISE SIDE VIEW)	CLOCKWISE
WEIGHT	4.6 kg

CLUTCH SPECIFICATIONS

RATED VOLTAGE	DC 24 V
BREAKAWAY TORQUE	2.65 kg-m
REPAIR/RE-ENGAGEMENT VOLTAGE	16 V max
POWER CONSUMPTION	34 W (CL)
MAXIMUM ALLOWABLE RPM	7000 RPM
MAXIMUM ALLOWABLE CONTINUOUS RPM	6000 RPM
BELT TYPE	A
PULLEY DIAMETER	Ø125mm
WEIGHT	2.1 kg



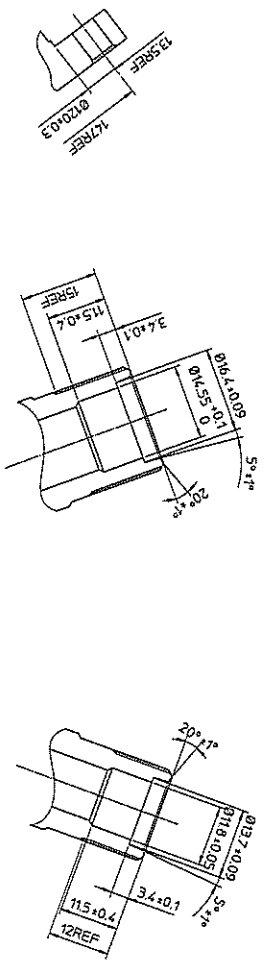
DATE	5/11	NAME	COMPRESSOR
SCALE	1:1	PROJECT NO.	SD-507E5111
BY		DATE	5/11-6000S
REVISION RECORD			
NO.		DATE	



PARTIAL SECT A-A

PARTIAL SECT B-B (2:1)

PARTIAL SECT C-C (2:1)

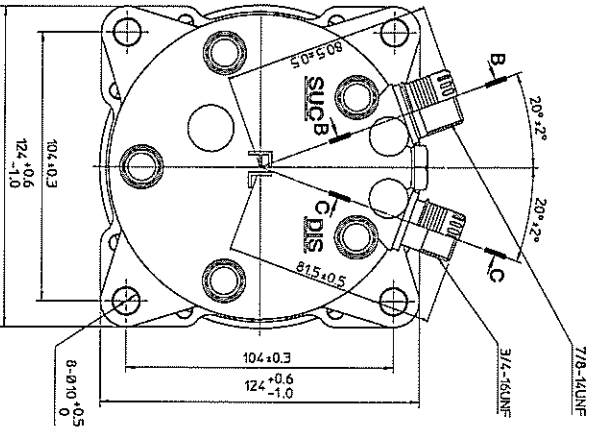


COMPRESSOR SPECIFICATIONS

BORE	Ø35	mm
STROKE	18.07	mm
DISPLACEMENT PER REVOLUTION	87	cc/rev
NUMBER OF CYLINDERS	5	
MAXIMUM ALLOWABLE F.P.D.M.	7500	f.p.m.
MAXIMUM ALLOWABLE CONTINUOUS F.P.D.M.	6500	f.p.m.
REFRIGERANT	R-134a	
OIL (SP-20 OR EQUIV.)	100	cc
ROTATION (CLUTCH SIDE VIEW)	CLOCKWISE	
WEIGHT	4.2	kg

CLUTCH SPECIFICATIONS

RATED VOLTAGE	DC 24 V
BREAKAWAY TORQUE	2.2 kg-m
MINIMUM ENGAGEMENT VOLTAGE	16 V max
POWER CONSUMPTION	34 W (CU)
MAXIMUM ALLOWABLE F.P.D.M.	7500 f.p.m.
MAXIMUM ALLOWABLE CONTINUOUS F.P.D.M.	6500 f.p.m.
BELT TYPE	A2
PULLEY DIAMETER	Ø125 mm
WEIGHT	2.1 kg



REVISION	DATE	BY	DATE	MATERIAL	PART NO.	NAME
1				5073S	5073S	COMPRESSOR
2				1-1		
3				Michael	SD5H09FL5073S	
4				DATE	DATE	
5				5073-0005		

