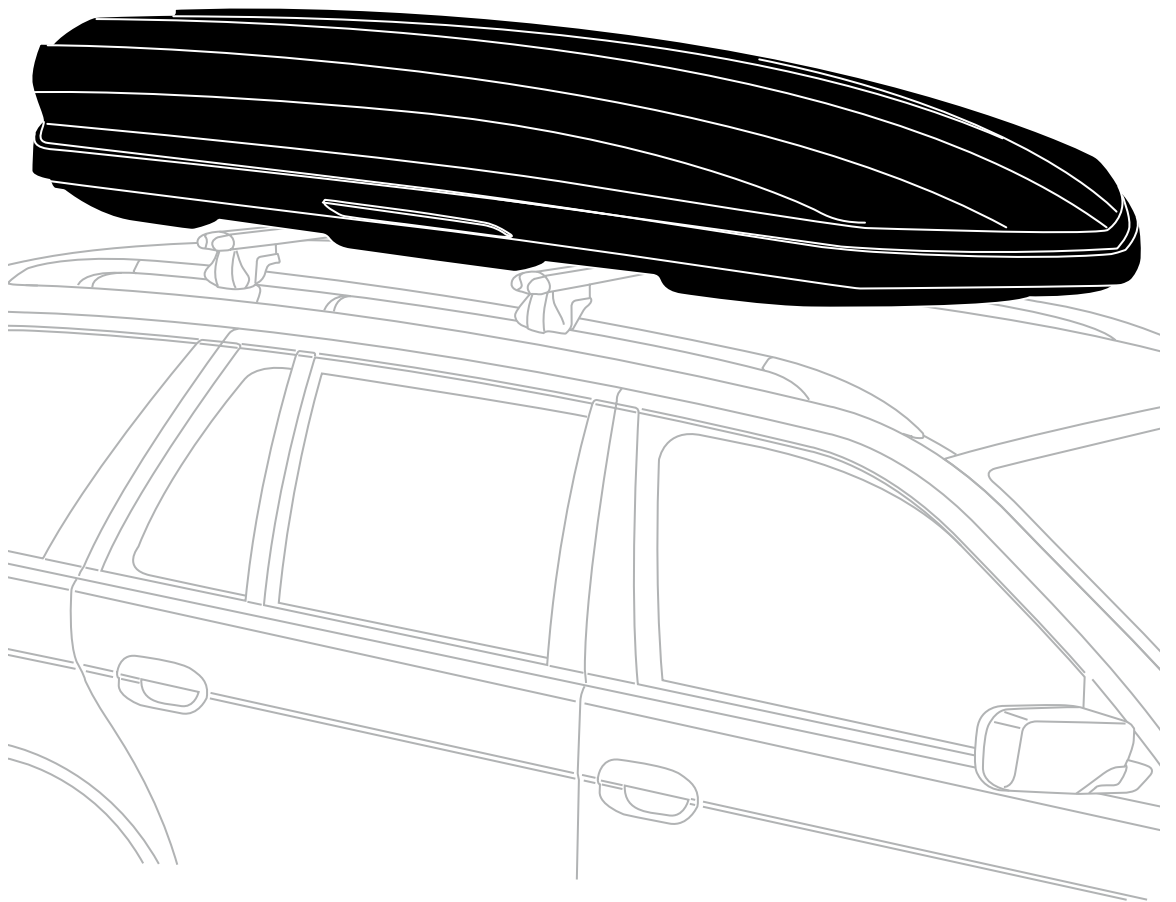
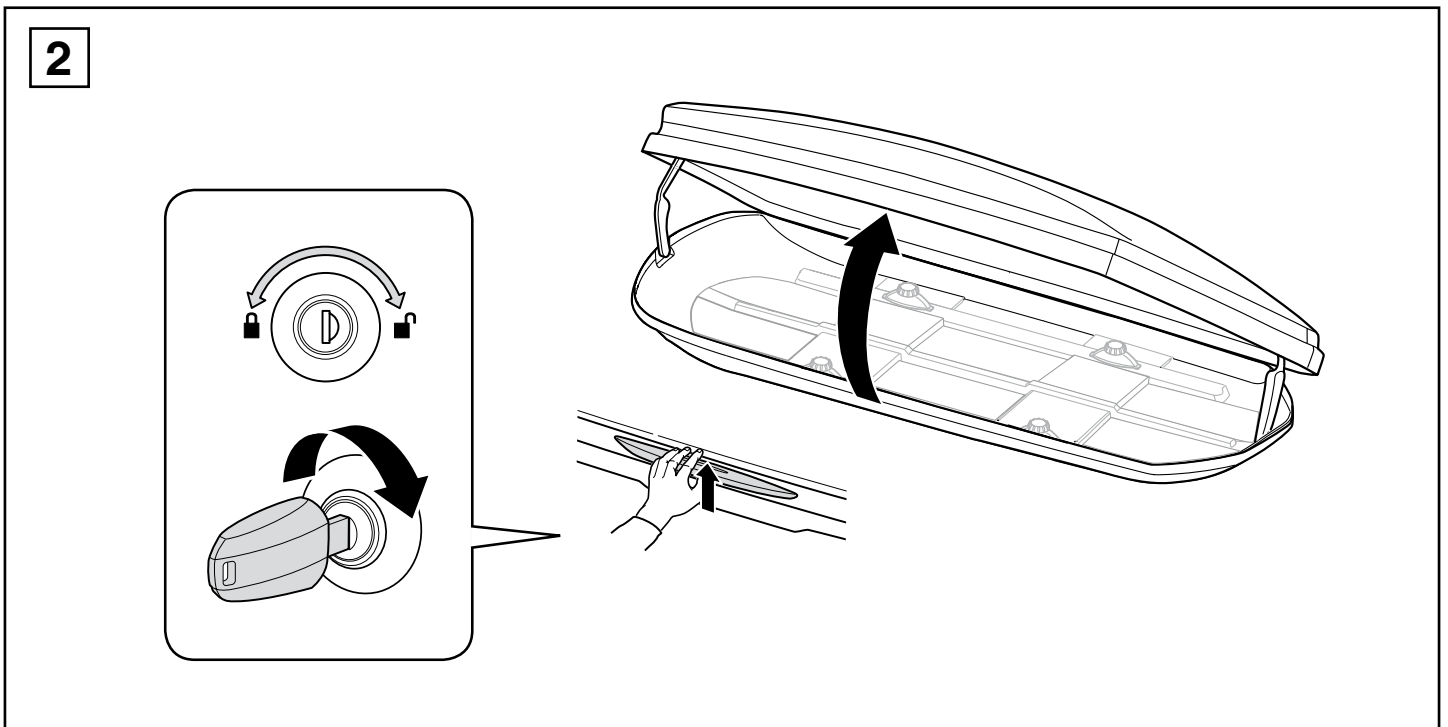
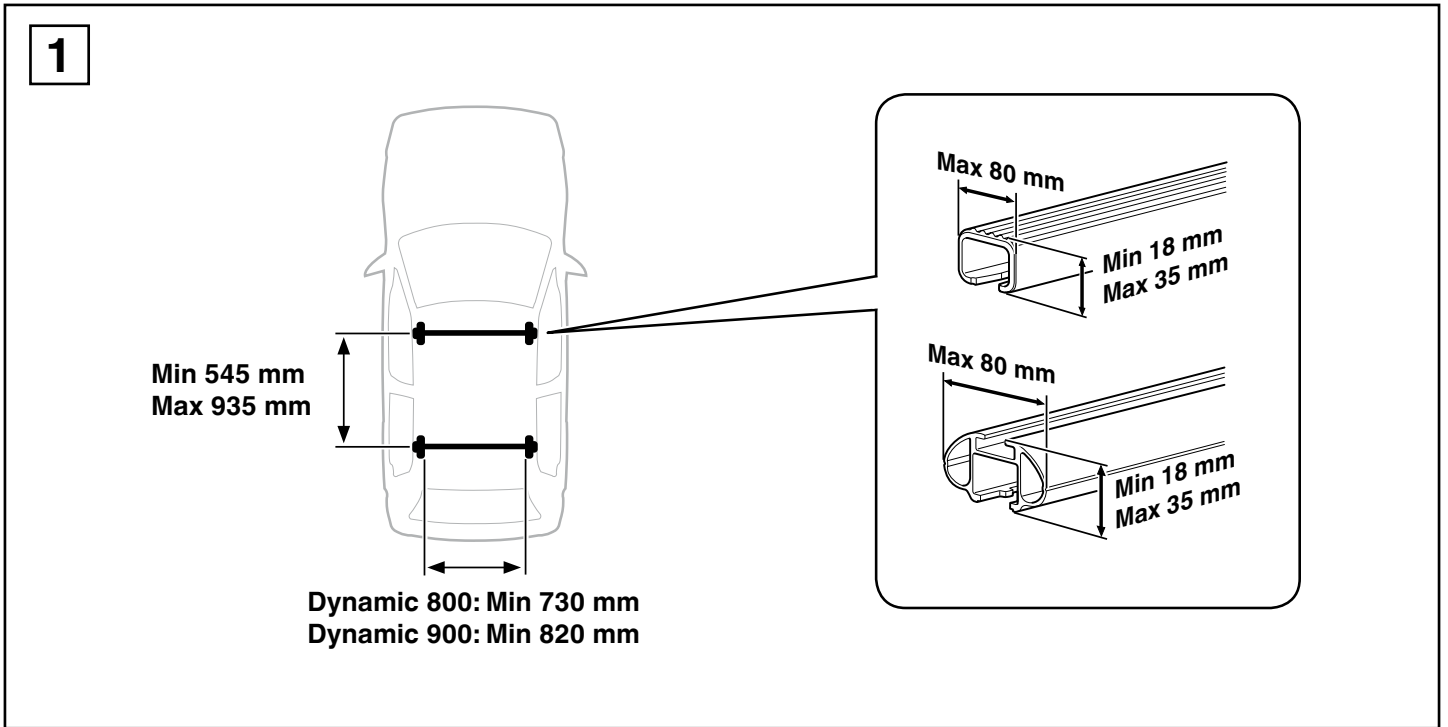
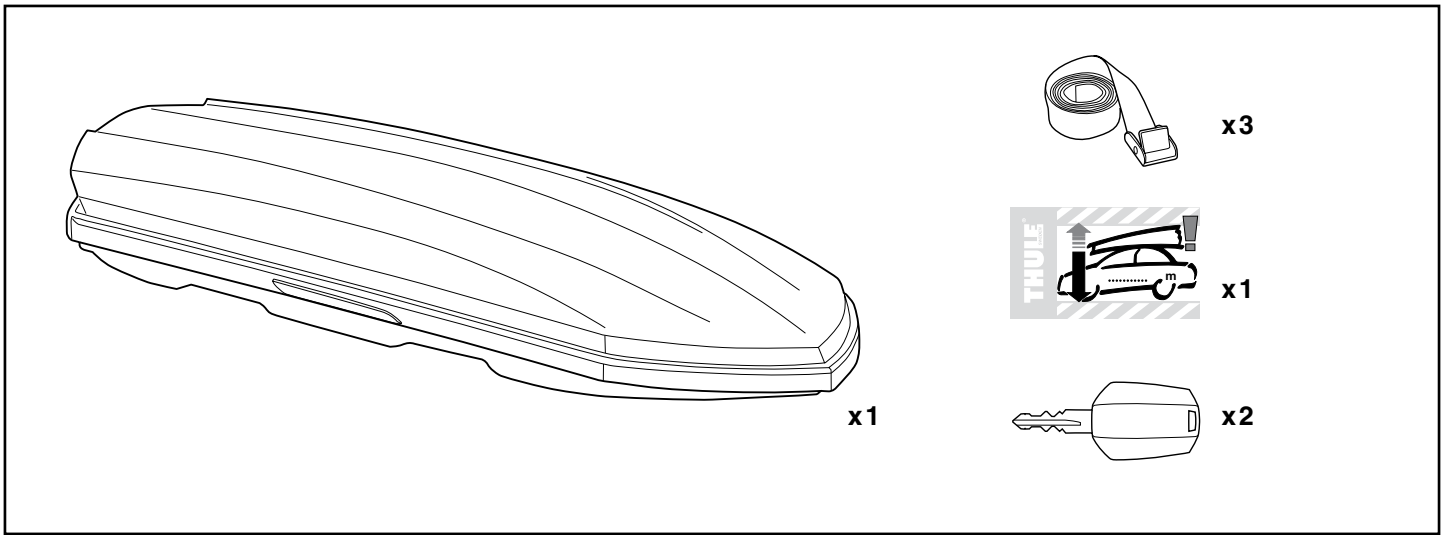


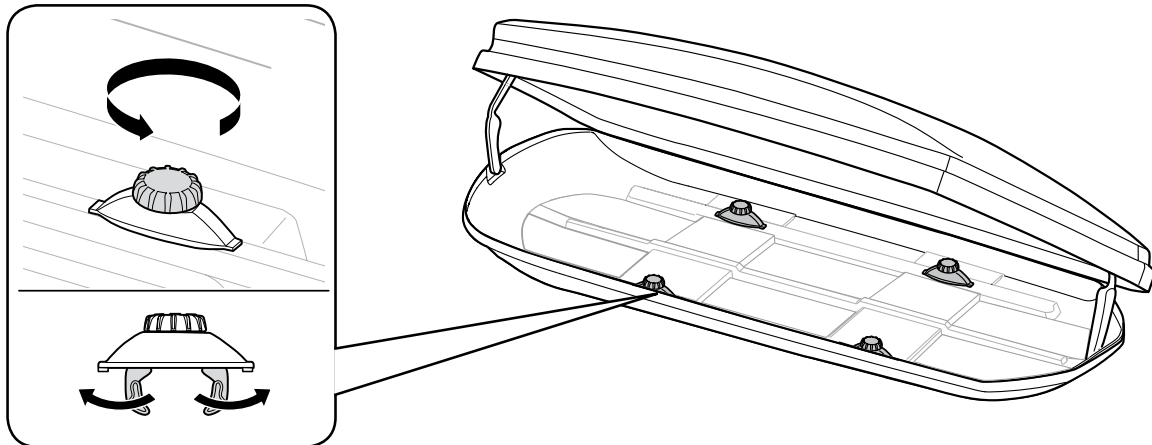
Instructions

Dynamic

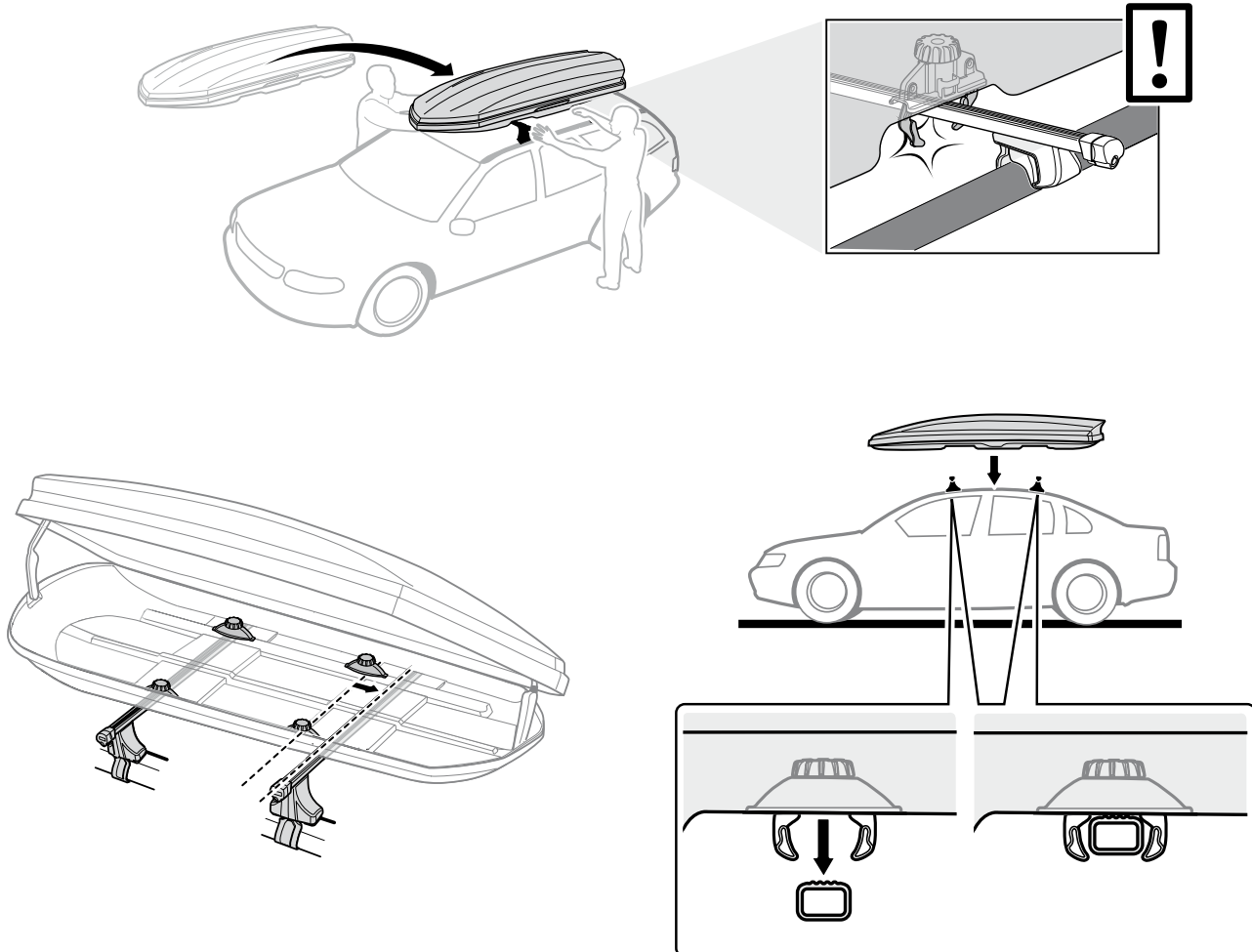




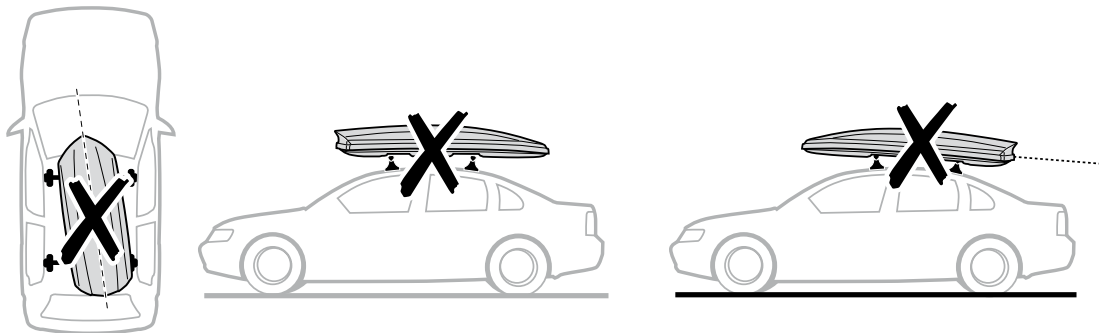
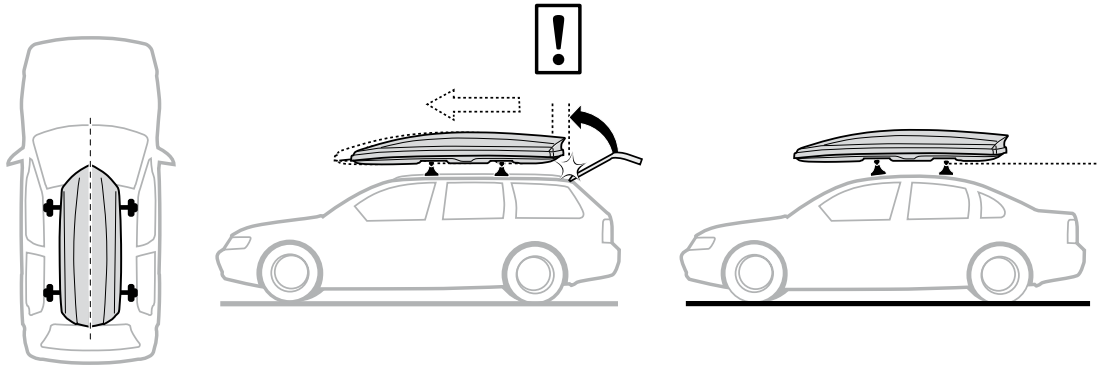
3



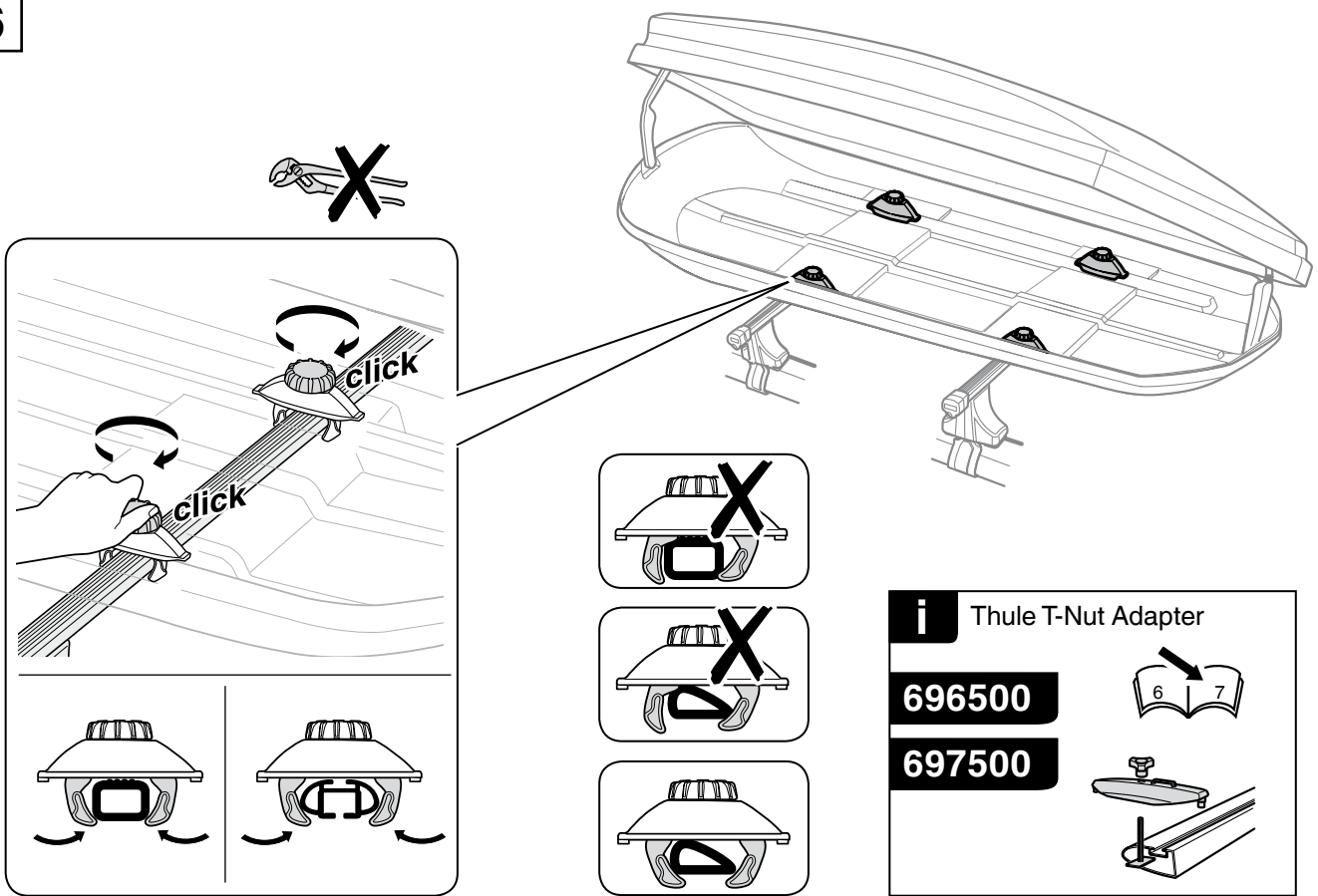
4



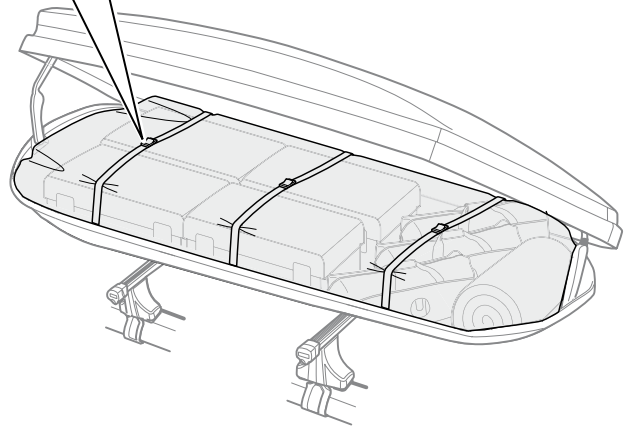
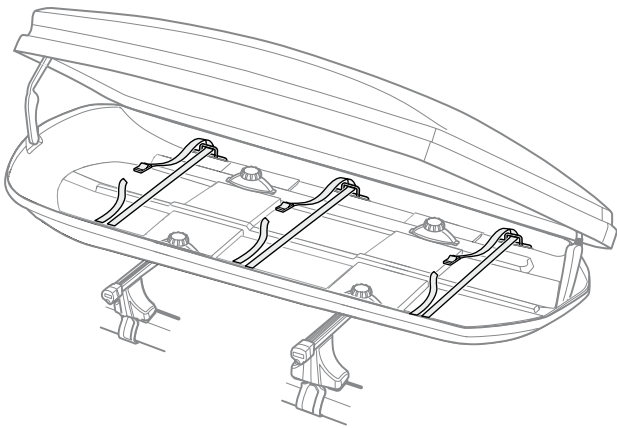
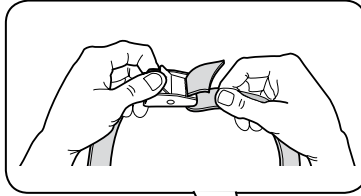
5



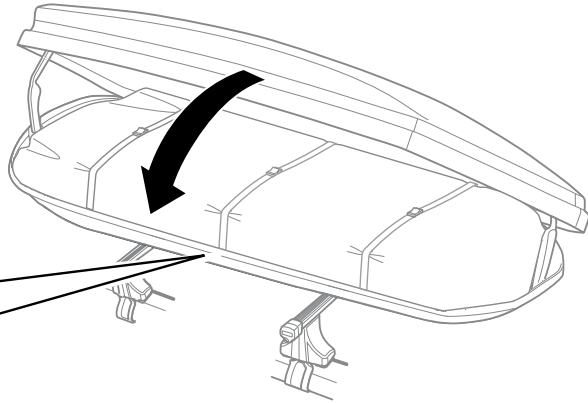
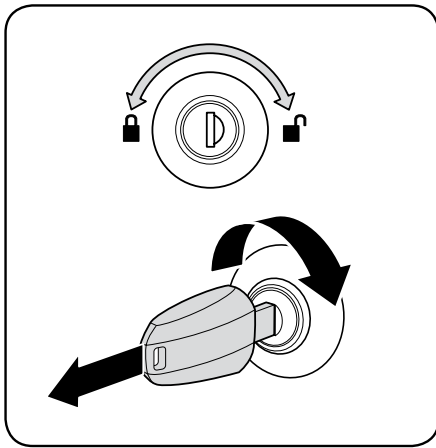
6



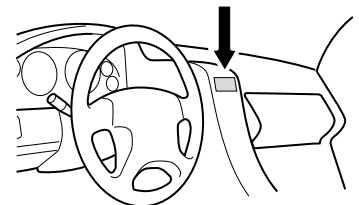
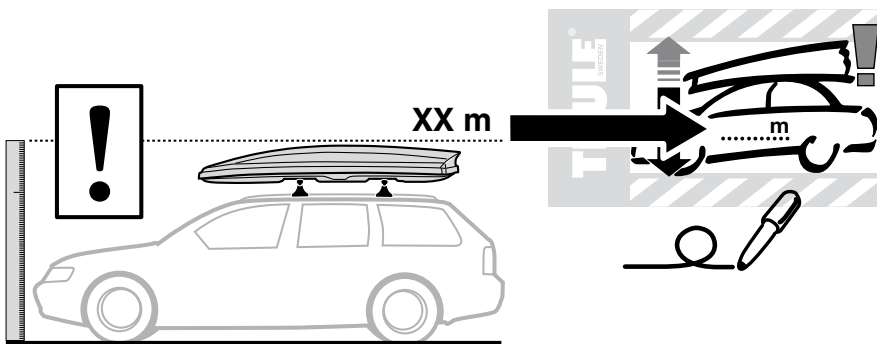
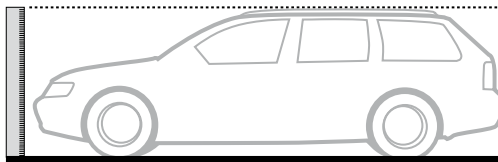
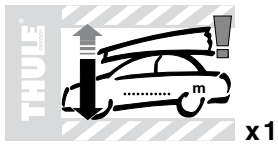
7

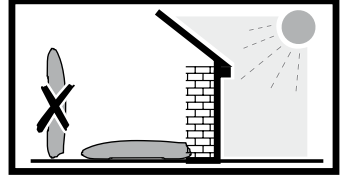
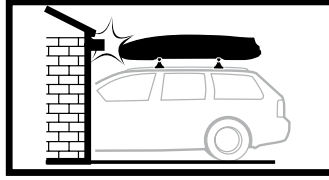
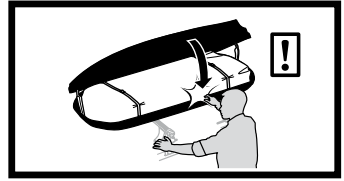
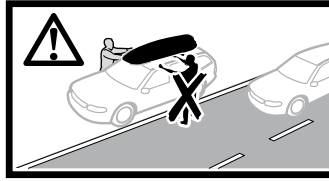
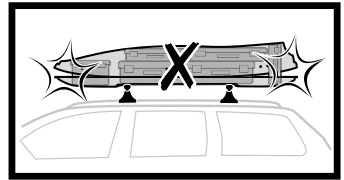
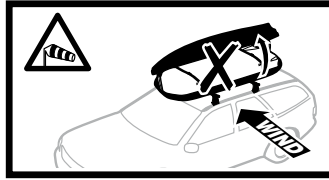
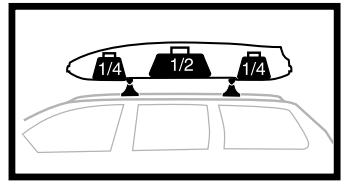
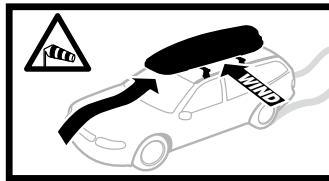
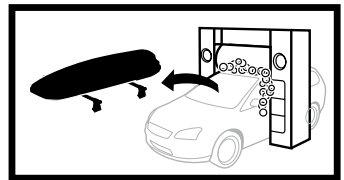
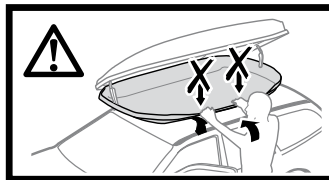
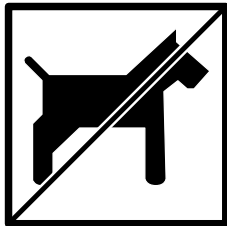
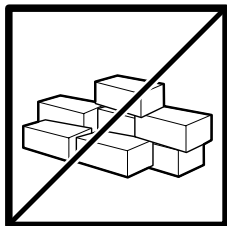
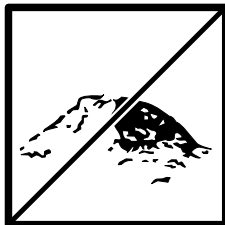
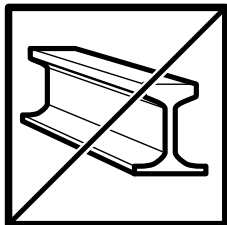
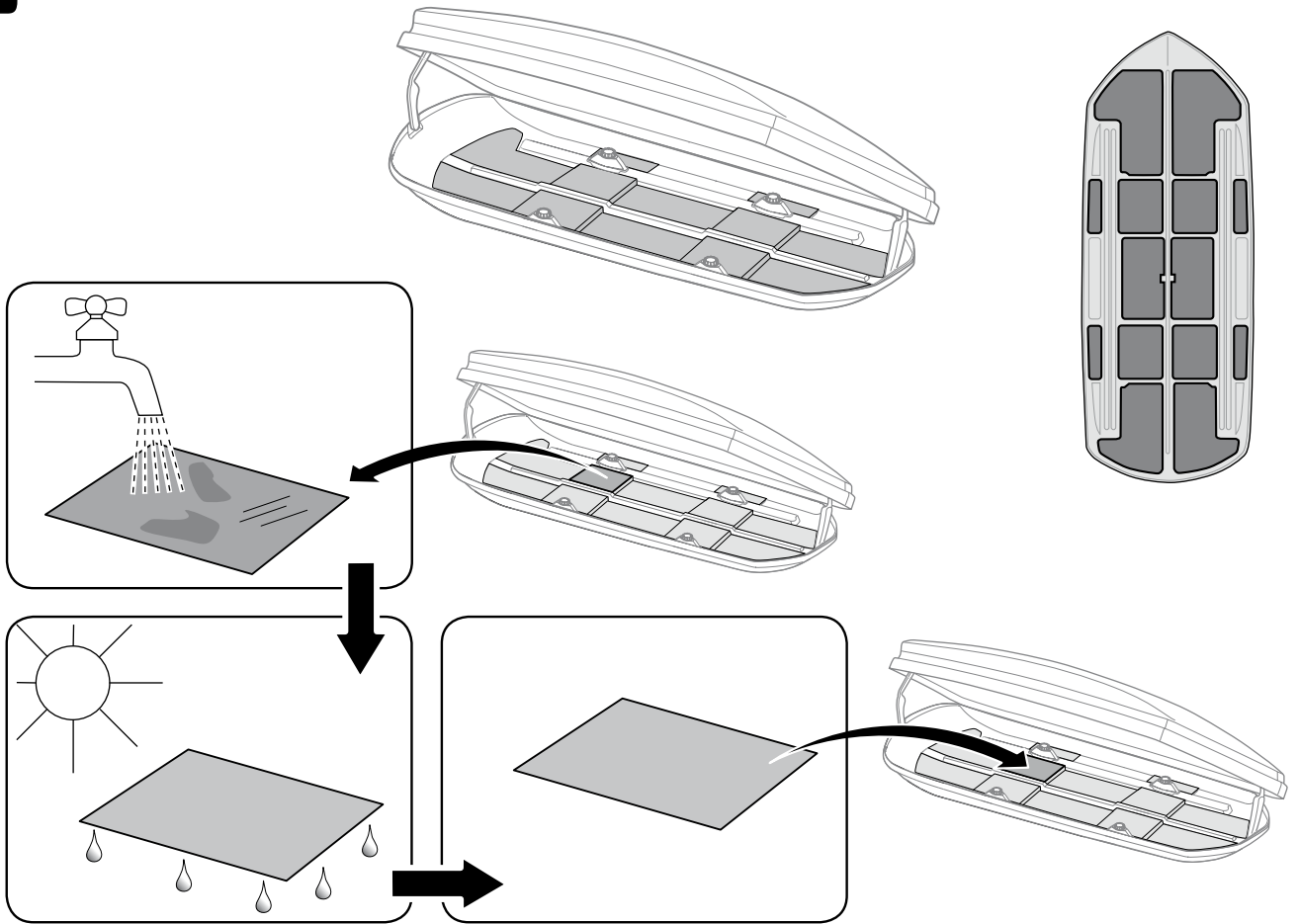


8



9

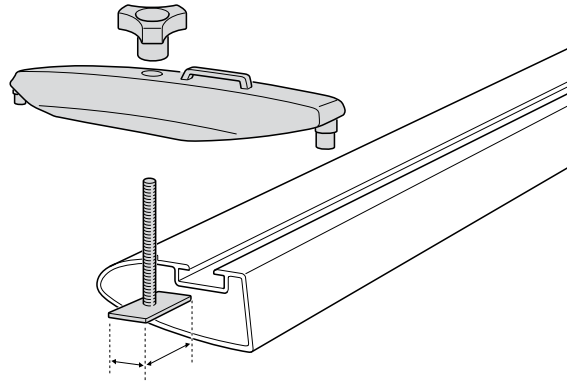




i Thule T-Nut Adapter

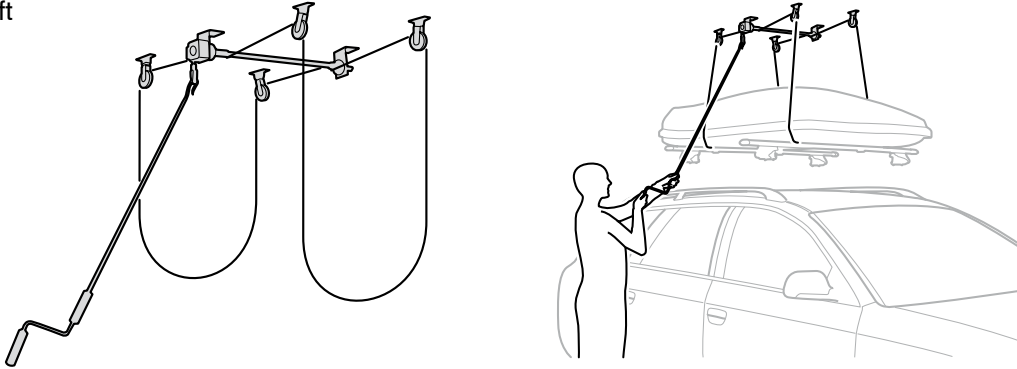
696500 → 24x30 mm

697500 → 20x27 mm



i Thule Boxlift

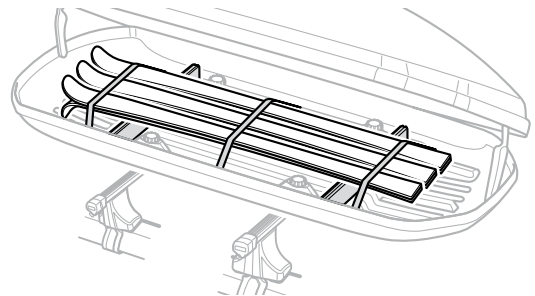
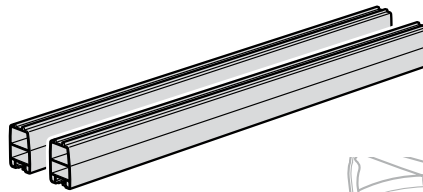
571000



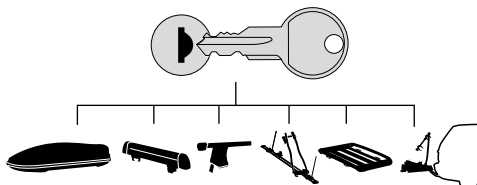
i Thule Skicarrier

694800 → Dynamic 800

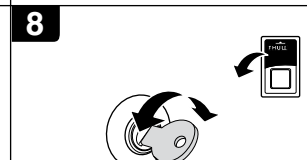
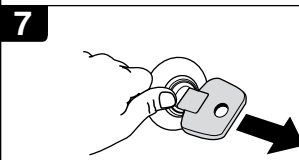
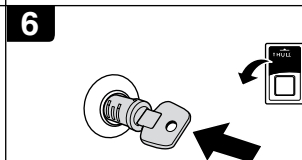
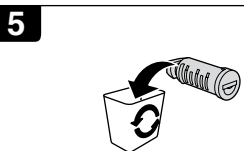
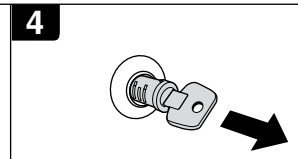
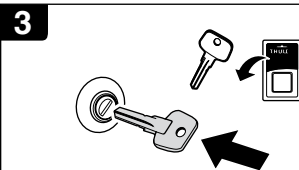
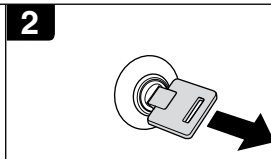
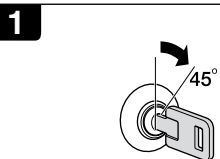
694900 → Dynamic 900

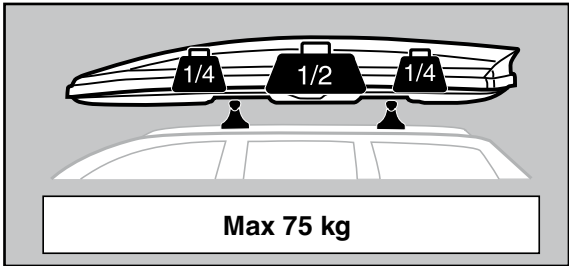
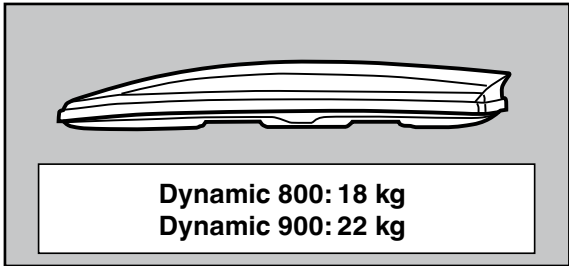


THULE
SWEDEN
ONE
KEY
SYSTEM



- 544** 🔋 (x4)
- 596** 🔋 (x6)
- 588** 🔋 (x8)
- 452** 🔋 (x12)



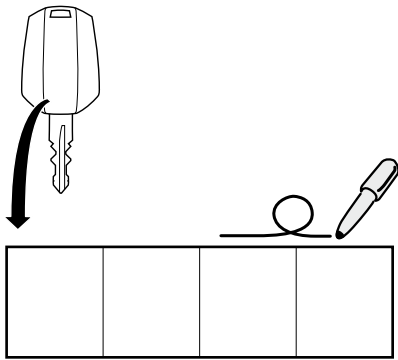


Kaufdatum / Date of purchase:

Händler / Dealer:

Stempel / Stamp

Kassenzettel hier abheften
Place receipt here



Ihre Schlüsselnummer
Your Key-Number