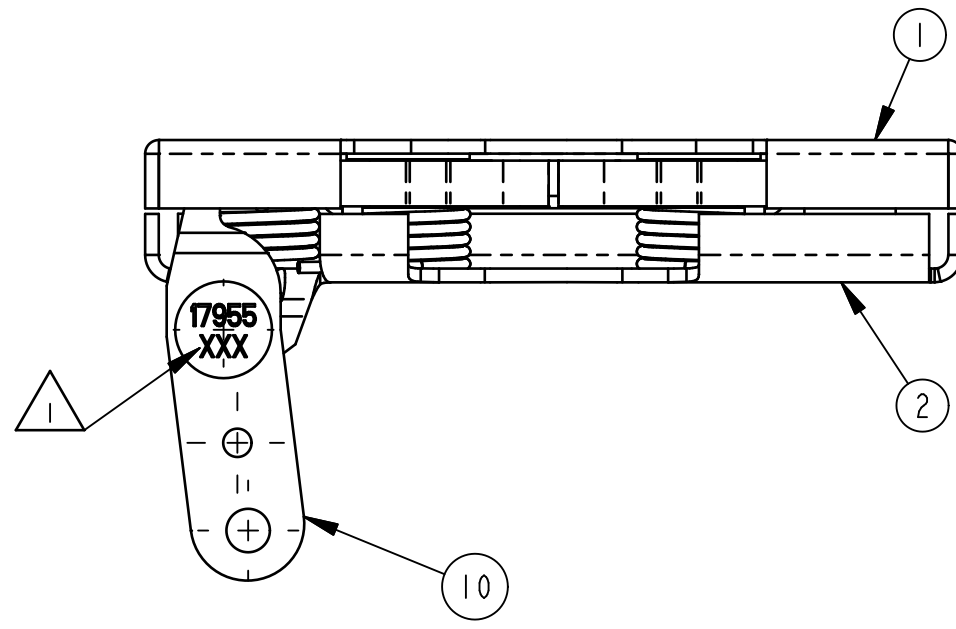
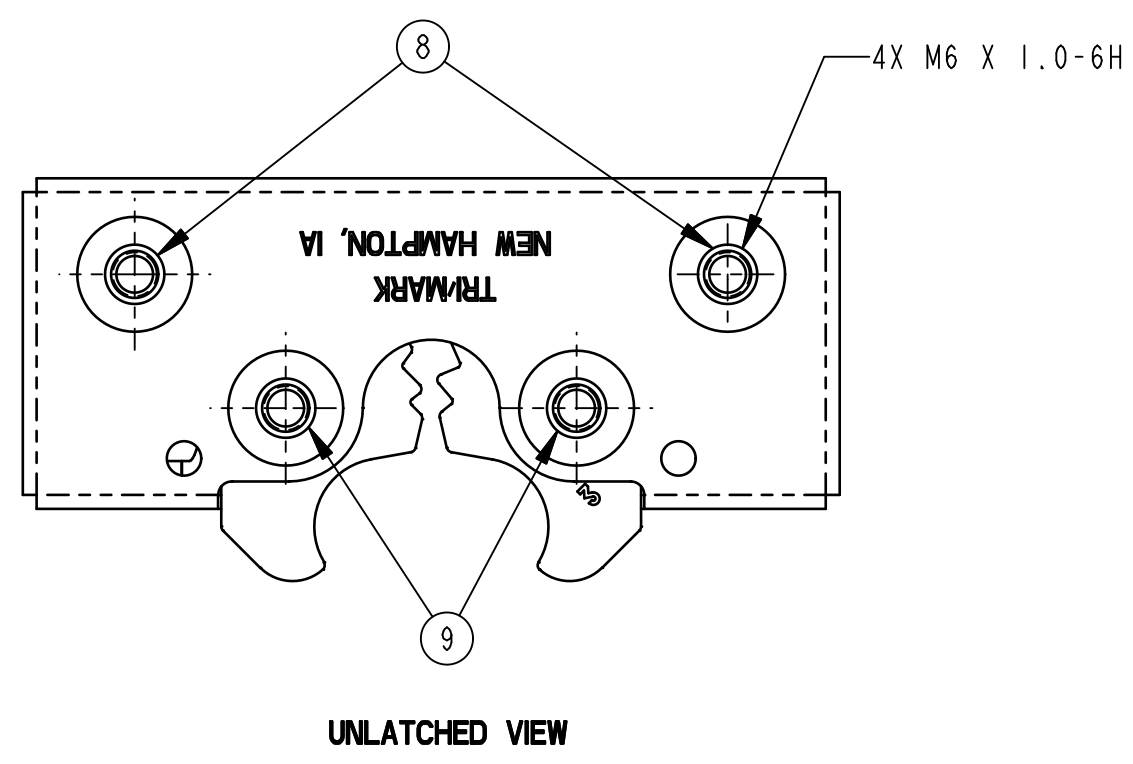


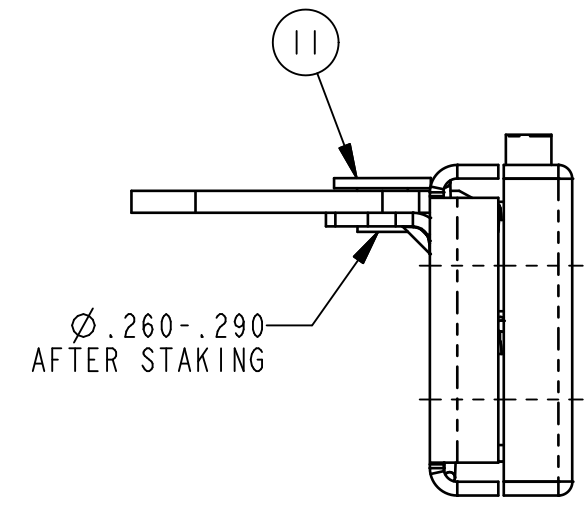
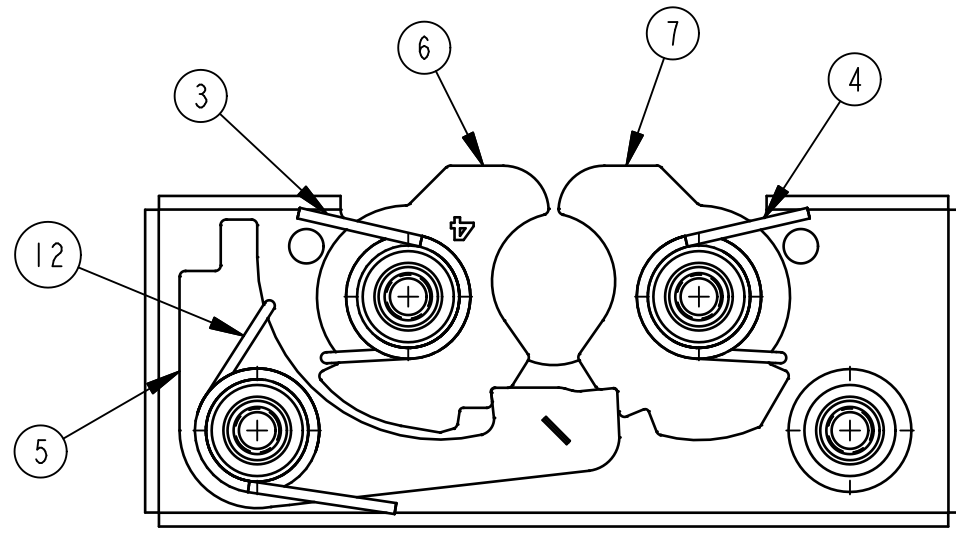
PART NUMBER DESCRIPTION	ITEM 1 PLATE (QTY)	ITEM 2 PLATE (QTY)	ITEM 3 SPRING (QTY)	ITEM 4 SPRING (QTY)	ITEM 5 CATCH (QTY)	ITEM 6 ROTOR (QTY)	ITEM 7 ROTOR (QTY)	ITEM 8 AXLE (QTY)	ITEM 9 AXLE (QTY)	ITEM 10 LEVER (QTY)	ITEM 11 RIVET (QTY)	ITEM 12 SPRING (QTY)
17955-01 050-0100, LH, 2 POSN, M6, STRT	11439-16 (1)	11388-16 (1)	80853-00 (1)	80854-00 (1)	80631-26 (1)	81051-26 (1)	81052-26 (1)	81060-16 (2)	81061-16 (2)	11277-16 (1)	80635-16 (1)	19427-01 (1)

REVISION	ECN	ECN BY	DESCRIPTION
0	RLSE	MLH 9/14/00	RELEASED FOR PRODUCTION
1	21296	GDE 12/10/07	HEX/TRIVALENT UPDATES. UPDATED TO NEW FORMAT.
2	21559	GDE 04/08/08	ITEM 3 (QTY 1) WAS (QTY 2). ADDED: ITEM 12.



NOTES:

- IDENTIFY ASSEMBLIES WITH PART NUMBER AND DATE CODE APPROXIMATELY AS SHOWN OR IN OTHER APPROVED LOCATIONS AS OUTLINED IN ES-121. ORIENTATION OF THE RIVET CONTAINING PART NUMBER AND DATE CODE NOT IMPORTANT.
- DIMENSIONS IN [ ] ARE MILLIMETERS FOR REFERENCE ONLY.
- AXLES TO WITHSTAND A MINIMUM OF 120 IN-LB OF TORQUE.
- ROTORS TO FULLY ENGAGE THE CATCH IN THE PRIMARY AND SECONDARY POSITIONS WHEN CLOSED WITH A  $\varnothing$ 0.678 GAGE PIN.



BACK PLATE (ITEM 2), RIVET (ITEM 11),  
AND TRIP LEVER (ITEM 10) NOT SHOWN

<p>● INDICATES REQUIRED ASSEMBLY INFORMATION.</p> <p>UOS: THE -00 VERSION SHALL BE THE UNFINISHED VERSION OF PART SHOWN.</p> <p><b>TOLERANCES UNLESS OTHERWISE SPECIFIED (UOS)</b> ASME Y14.5M-1994</p> <p>DO NOT SCALE DRAWING</p> <p>REF: T/M OP 4.20-2 FOR SUP. QUALITY REQ. REF: T/M OP 4.20-3 FOR INT. QUALITY REQ.</p>		<p>DRAWN BY: MLH 9/14/00</p> <p>CHECKED BY: BJB 9/14/00</p> <p>PROJECT: [ ] PRODUCT CODE: E01 (050-0100)</p> <p>CUSTOMER: [ ]</p> <p>CUSTOMER PART NUMBER: [ ]</p> <p>PART WEIGHT: (0.79 LB)</p> <p>SURFACE AREA: [ ]</p>	<p><b>TriMark</b><sup>®</sup></p> <p>500 Bailey Avenue P. O. Box 350 New Hampton, Iowa 50659 U.S.A. Tel: 641-394-3188 Fax: 641-394-2392</p> <p>This drawing and the information contained herein is the property of TriMark Corporation and shall not be used for any purpose without our written consent.</p>
<p>DESCRIPTION: SEE BOM</p>		<p>SIZE: C SCALE: 1.0 PART NUMBER: 17955-XX</p>	